

## MODEL 570

INTEGRAL FRAME FIRE COUNTER SHUTTERS



### PROTECTION. QUALITY. CONVENIENCE

The Model 570 Integral Frame Fire Counter Shutters provide an attractive appearance for a variety of applications, including food service counters.

Available for opening sizes up to up to 5'5" x 9'5" (1,657 mm x 2,870 mm) these doors carry a UL 1-1/2 Hour Class B label and are factory assembled as a complete unit with fully welded frames. The stainless steel frame is comprised of 16-gauge jambs and header, hood and fascia and is complemented by a 14-gauge sill.

- » OPENINGS UP TO 5'5" HIGH AND 9'5" WIDE
- » COMMERCIAL DURABILITY AND EXTREME FIRE PROTECTION
- » UL 1-1/2 HOUR CLASS B LABEL
- » 16-GAUGE FRAME AND 14-GAUGE SILL

# MODEL 570

## INTEGRAL FRAME FIRE COUNTER SHUTTERS

### STANDARD FEATURES OVERVIEW

#### CONSTRUCTION

<b>LABEL</b>	UL 1-1/2 Hour Class B label
<b>MAX HEIGHT</b>	5'5" (1,657 mm)
<b>MAX WIDTH</b>	9'5" (2,870 mm)
<b>CURTAIN</b>	Interlocking 22-gauge stainless or galvanized steel slats
<b>INTEGRAL FRAMES/GUIDES</b>	No. 4 finish stainless steel
<b>SILL</b>	14-gauge stainless steel completely enclosed with fireproof acoustic filler
<b>HOOD</b>	No. 4 finish stainless steel
<b>OPERATION</b>	Push up
<b>MOUNTING</b>	Between jambs

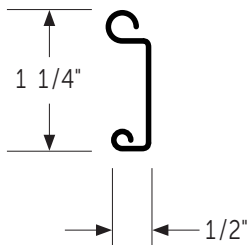
#### WARRANTY

<b>TERMS</b>	OEM limited warranty
--------------	----------------------

#### OPTIONS

- UL Listed brush-type smoke seal
- Photoelectric or ionization-type smoke detectors
- Locking mechanisms: slide bolts or cylinder locking bottom bar with mortise cylinders

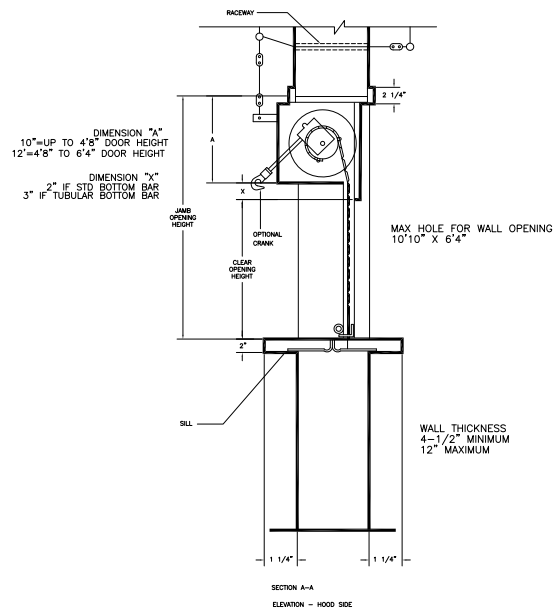
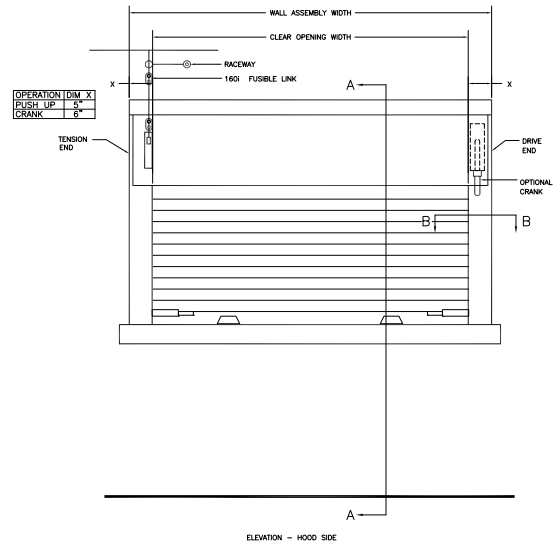
#### INTEGRAL FRAME AND SILL SLAT DATA



OPENING WIDTH	SLAT	FRAME/SILL
Thru 9'5" (2,870 mm)	22-gauge stainless steel	Stainless steel
Thru 9'5" (2,870 mm)	22-gauge galvanized painted	Stainless steel

### DOOR CLEARANCE ELEVATIONS

Operation: Push-up



## Architect Resource Center

Visit [wayne-dalton.com/architect-resource-center](http://wayne-dalton.com/architect-resource-center) to find our Architect Resource Center. In this tool, you will quickly find all of the specifications, drawings and documents you need to complete your project.



2501 S. State Hwy 121 Bus., Ste 200  
Lewisville, TX 75067

[wayne-dalton.com](http://wayne-dalton.com)

