

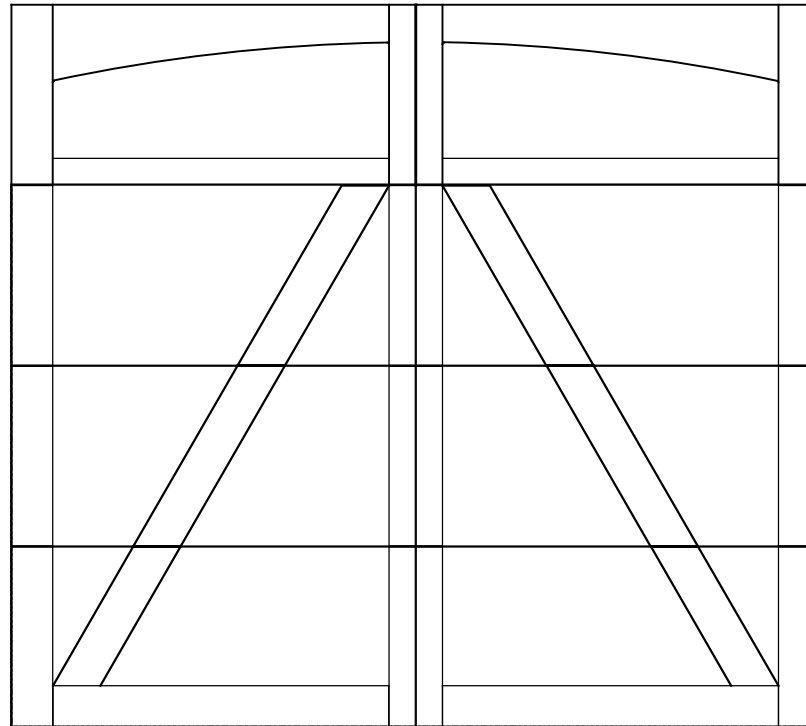


WAYNE DALTON, A DIVISION OF THE
OVERHEAD DOOR CORP.

EXTERIOR VIEW

WAYNE-DALTON CONFIDENTIAL PROPRIETARY
NOT TO BE DUPLICATED OR REPRINTED WITHOUT
WRITTEN PERMISSION FROM OVERHEAD DOOR CORP.

WWW.WAYNE-DALTON.COM



9x8 6600 SPRINGFIELD
4 SECTION/ 2 PANEL
SOLID ARCHED TOP SECTION SHOWN
CONSISTS OF (4) 24.0" SECTIONS