

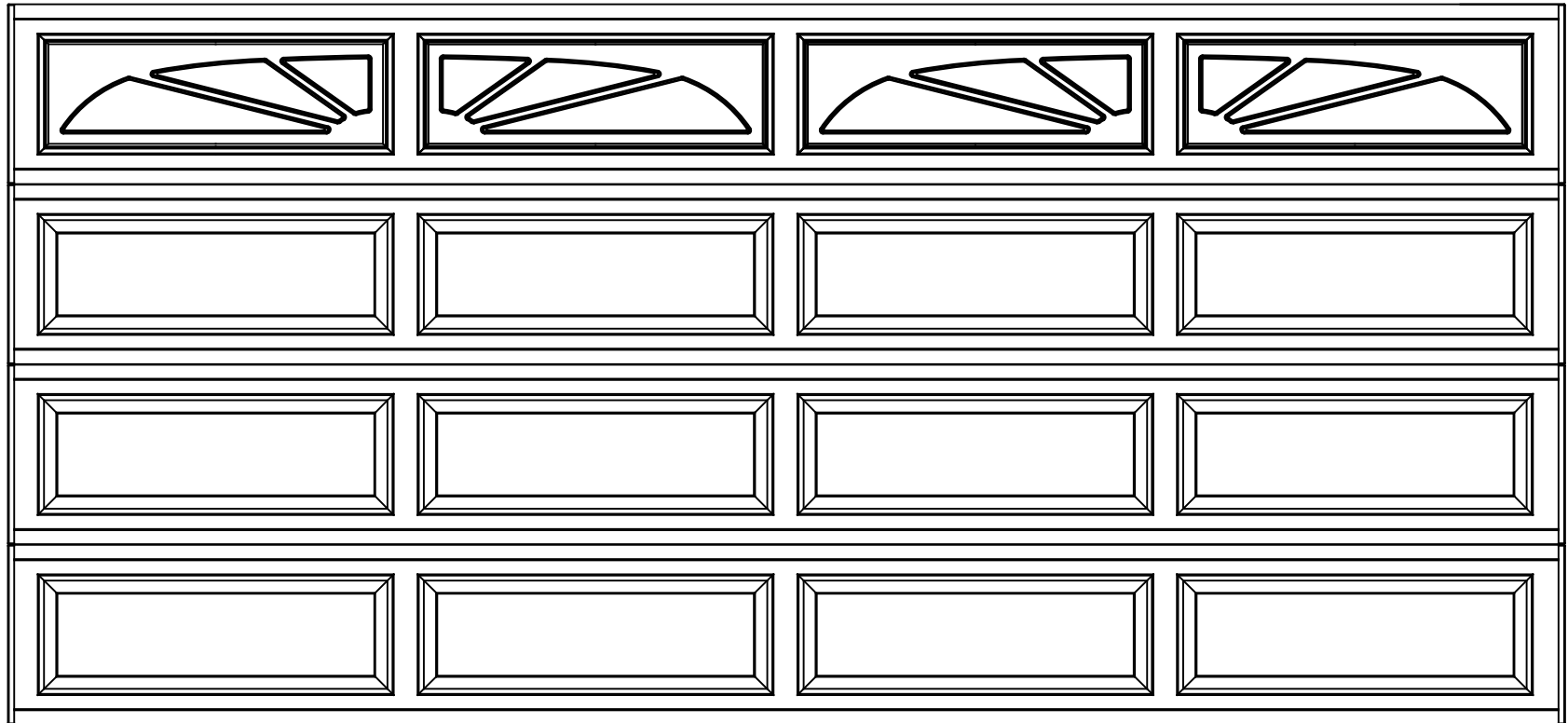


# EXTERIOR VIEW

WAYNE-DALTON CONFIDENTIAL PROPRIETARY  
NOT TO BE DUPLICATED OR REPRINTED WITHOUT  
WRITTEN PERMISSION FROM OVERHEAD DOOR CORP.

[WWW.WAYNE-DALTON.COM](http://WWW.WAYNE-DALTON.COM)

WAYNE-DALTON, A DIVISION OF THE  
OVERHEAD DOOR CORP.



15' X 7' 9100/9605 ERP DESIGN

4 SECTION/ 4 PANEL  
DOUBLE WILLIAMSBURG II TOP SECTION SHOWN  
CONSISTS OF (4) 20.8" SECTIONS