

SIDE FOLDING INSTALLATION GUIDE

SLIM LINE 4 INCH
STANDARD 7 INCH
WIDE BODY 11 INCH

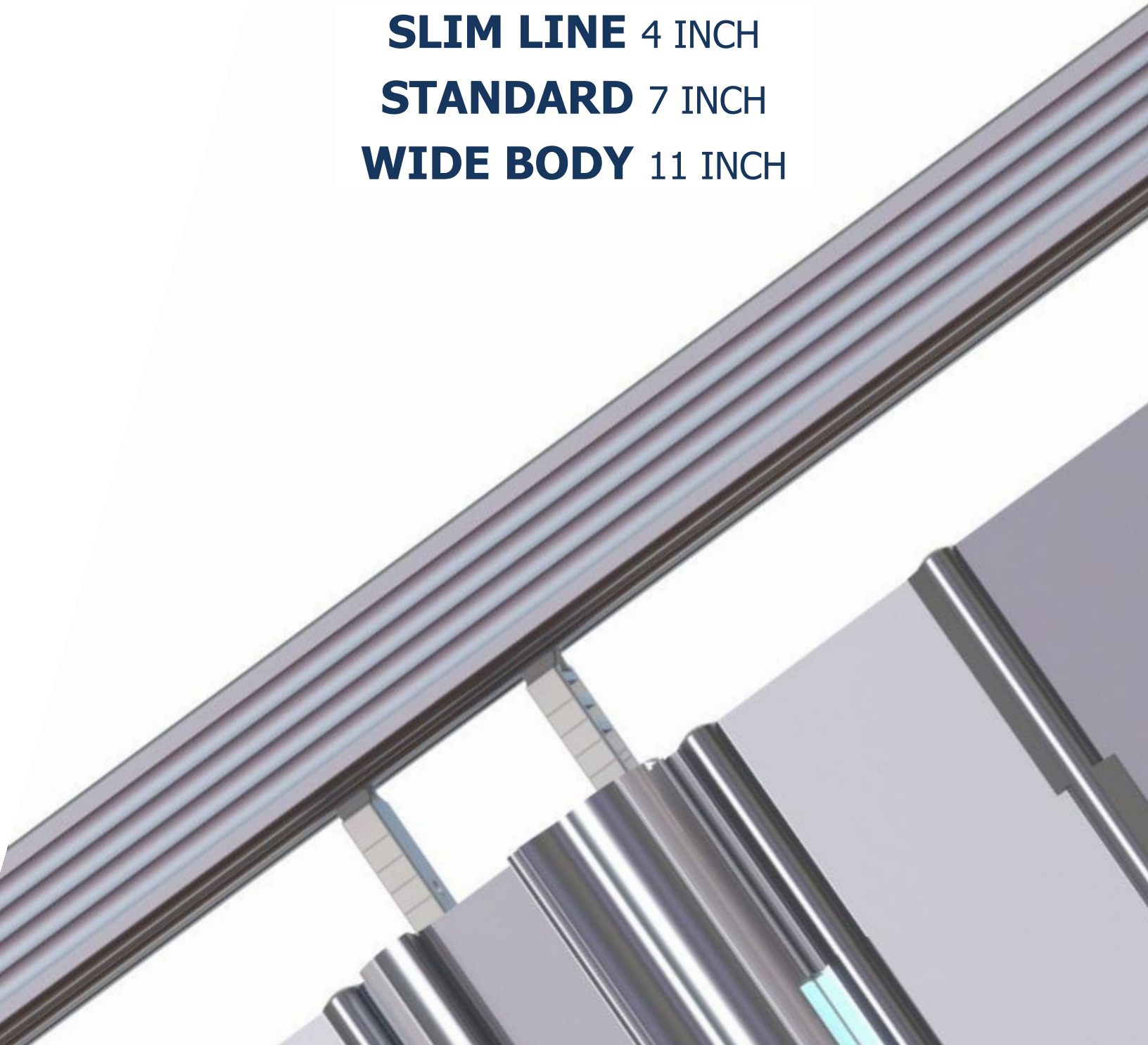


TABLE OF CONTENTS

WARNINGS AND SAFETY INFORMATION	3	
TOOLS REQUIRED	4	
GENERAL NOTES	5	
INSTALLATION STEPS	STEP 1 SITE CHECK	6
	STEP 2 TRACK	7
	STEP 3 ORDER OF DOOR COMPONENTS	10
	STEP 4 HANGING DOOR COMPONENTS	11
	STEP 5 ATTACHING POSTS TO CURTAIN	13
	STEP 6 POST INSTALLATION	14
	POST DESCRIPTIONS	15
	POST 1	16
	POST 2	16
	POST 3	17
	POST 5	18
	POST 7	19
	POST 9	20
	POST 10	24
POST ADJUSTMENTS	25	
PRODUCT WARRANTY	32	
PRODUCT CARE	33	
INSTALLATION CHECKLIST	34	

WARNINGS AND SAFETY INFORMATION

Carefully read and understand the following safety information before installing or repairing these products.

If you do not understand these instructions or have any questions about the product or its installation, contact customer service at (800) 663-4599.

Intended Use

The products provided are intended for daily use by trained individuals.

High cycle use, improper handling, or abuse of the product may cause premature failure of components, leading to possible serious injury to persons, or damage to property.

Use supplied bi-part posts to separate doors into manageable sections for transport.

Some of these products contain curved track. Special attention is required to guide doors through the curved track sections to avoid excess wear and damage to components and adjoining surfaces.

The product contains metal edges and corners that may be sharp. During operation, only handle the doors by way of the operating posts or smooth panel or hinge surfaces to avoid injury.

The product may contain egress door sections and other egress-related hardware. Ensure that all of these components are functioning according to applicable codes and regulations. Any persons operating the product must be trained in the setting and handling of these components to ensure proper function in case of an emergency.

Structure

Before installing the door, verify that all mounting surfaces are capable of safely supporting the attached loads.

Ensure that all connections to the structure are secure and that suitable fastening materials are used.

General Safety Instructions

The installation and repair of these products should only be carried out by specialists or competent individuals. General knowledge in proper construction techniques, safe tool use, and job site safety are required.

Installation of these products may require overhead work and/or the use of ladders or elevated work surfaces. Use head protection where appropriate and follow all safe use guidelines for any equipment used.

Some of the products supplied may be heavy. Use lifting devices where appropriate and follow safe lifting practices.

It is the installer's responsibility to follow all local, state, and national regulations and codes, which supersede any information provided by Dynamic Closures.

Dynamic Closures strives to provide all materials and components accurately as ordered by the customer, however it is the installer's responsibility to ensure that all components installed function in a safe and approved manner.

TOOLS REQUIRED

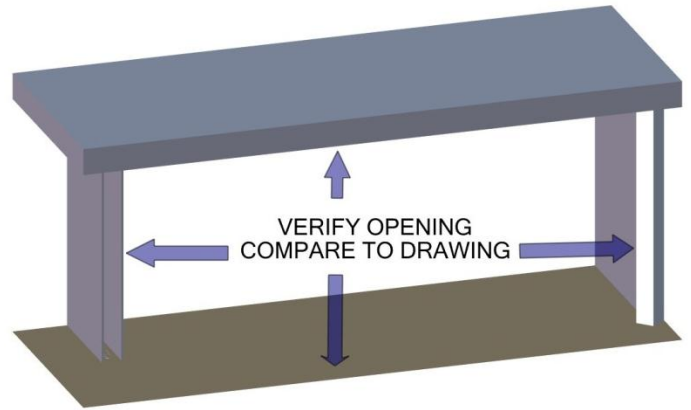
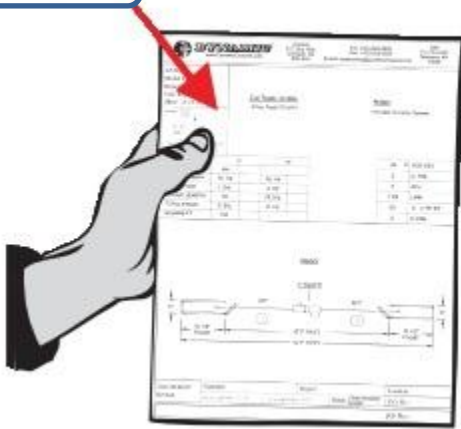
- Cordless Drill / Corded Drill with Extension Cord
- Ladder
- Level
- 3/16" Concrete Drill Bit
- 1/4" Concrete Drill Bit
- 3/4" Concrete Drill Bit
- 1/8" Drill Bit
- 3/16" Drill Bit
- 1/2" Drill Bit
- Flat Head Screwdriver
- #2 & #3 Robertson Screwdriver & Driver Bits (Square)
- #2 & #3 Phillips Screwdriver & Driver Bits (Star)
- 7/16" wrench top stops
- 7/16" Socket
- Ratchet
- 8 oz. Hammer
- Rubber Mallet
- Pencil
- Measuring Tape
- Chalk Line
- Plumb Line

GENERAL NOTES

MEASURE OPENING

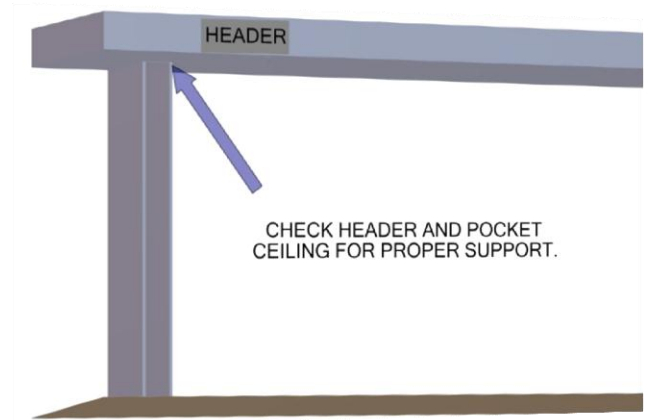
Verify that site conditions match the layout drawing provided with the door.

Drawing



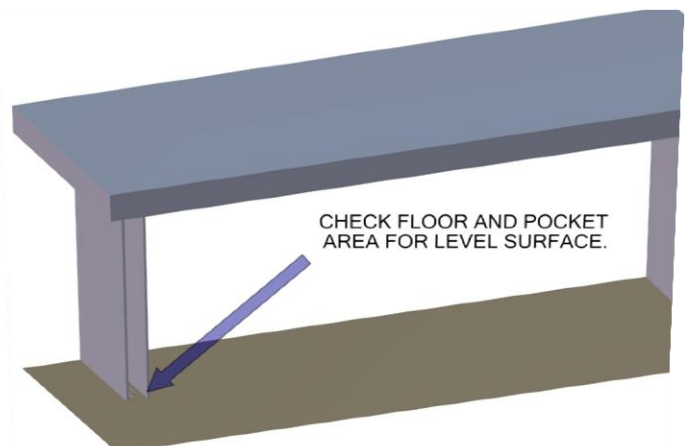
CHECK HEADER

Verify that header support is continuous and can support the entire weight of the door over the entire length, including in the pocket area.



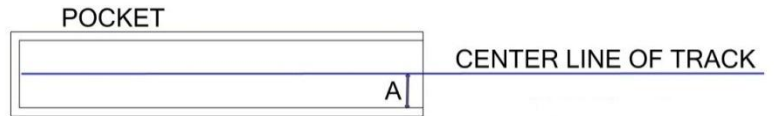
CHECK FLOOR

Floor should be level.
Ensure pocket area is free of protrusions.



CLEARANCES

Maintain the clearance listed below over entire length of track, including in pocket areas. Larger clearances are advisable around curves, if possible.



VALUES OF "A"

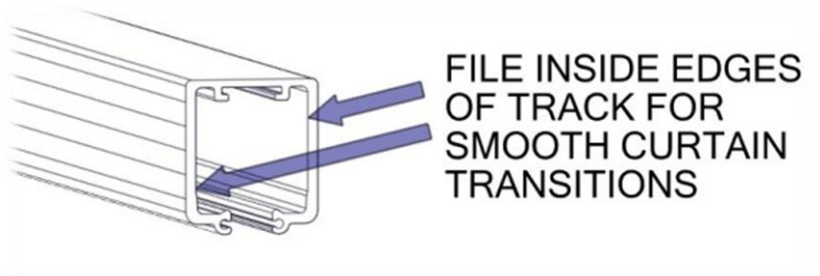
SLIM LINE 4 INCH = 2 1/2"

STANDARD 7 INCH = 4"

WIDE BODY 11 INCH = 6 1/2"

PREPARATION

IMPORTANT: Ensure all cut edges on track are filed smooth. Failure to do so may cause the door to catch or bind at joints.



Track is pre-drilled for #10 x 2" screws (provided).

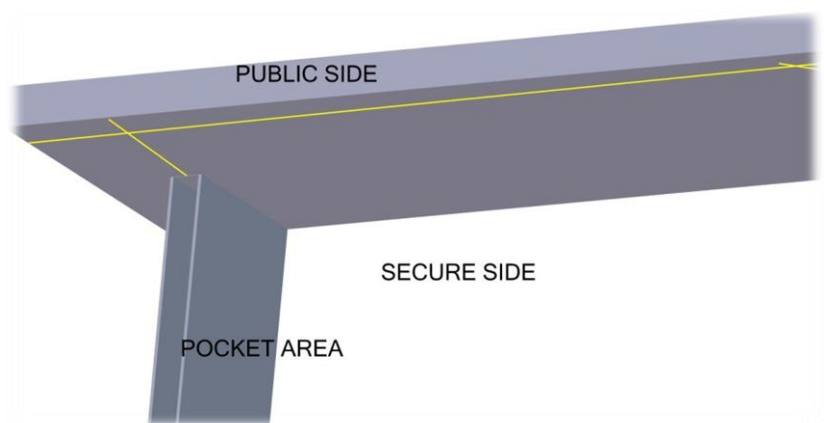
If other fasteners are being used, mounting hole sizes in track may need to be changed.



TRACK LINE

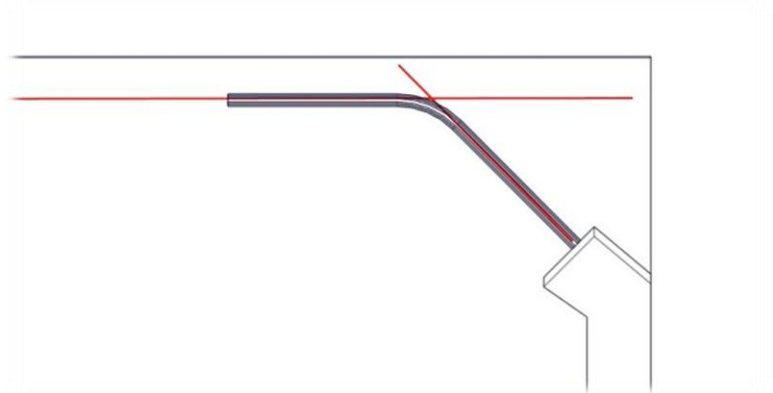
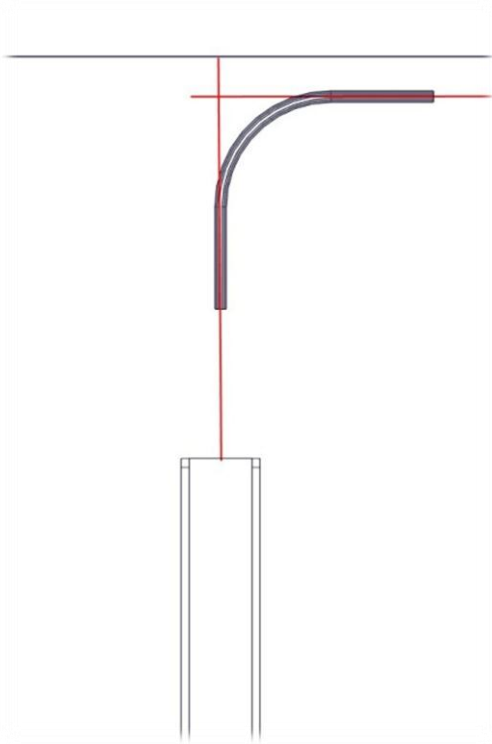
Using a chalkline, mark the path of the track across entire opening and into pocket area.

This will be the centerline of the track.



ORDER OF TRACK INSTALLATION

Curves should be installed first to ensure proper layout.



Straight track is then installed.

Note: Leave one piece of track uninstalled. The gap is required to load the door into the track.

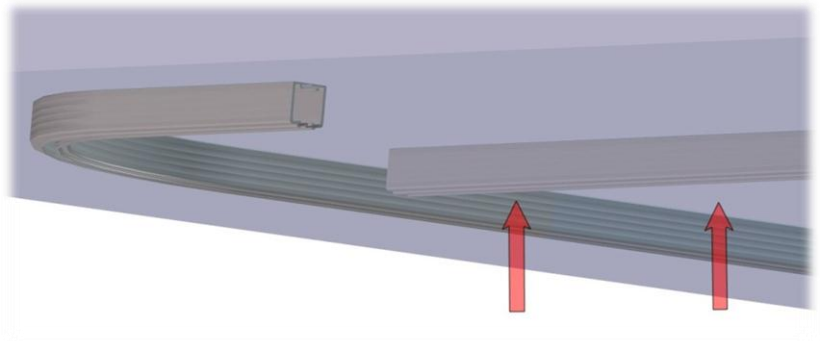
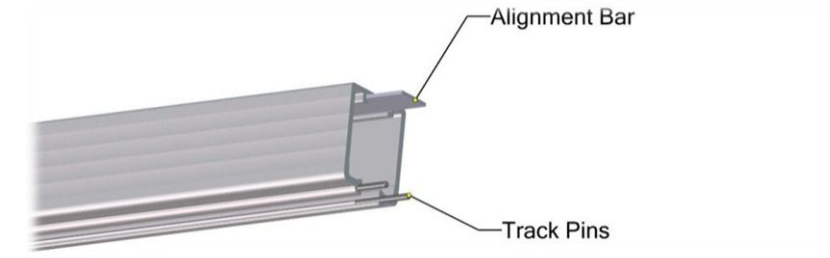


JOINING SECTIONS OF TRACK

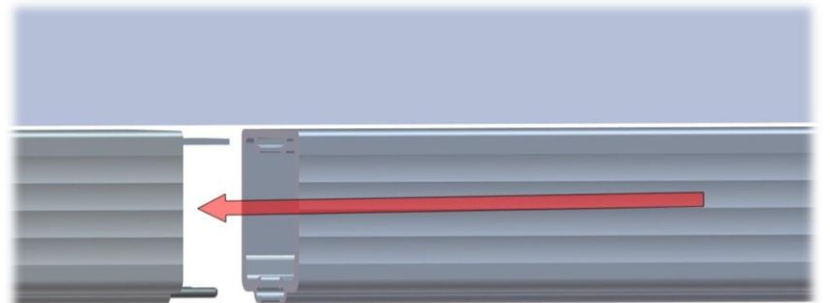
Note: It is important that every joint in the track has an alignment bar and two pins as illustrated.

Once installed, the bar and pins should bridge across the gap to securely align the two track pieces. Use a hammer and small flat screwdriver if needed.

Line up the track with the header and chalkline



Join the pieces of track



Joint must be tight with no gaps to ensure the trolleys do not catch and the door travels smoothly through the joint.

Screw securely to header using all pre-drilled holes.



ORDER OF DOOR COMPONENTS

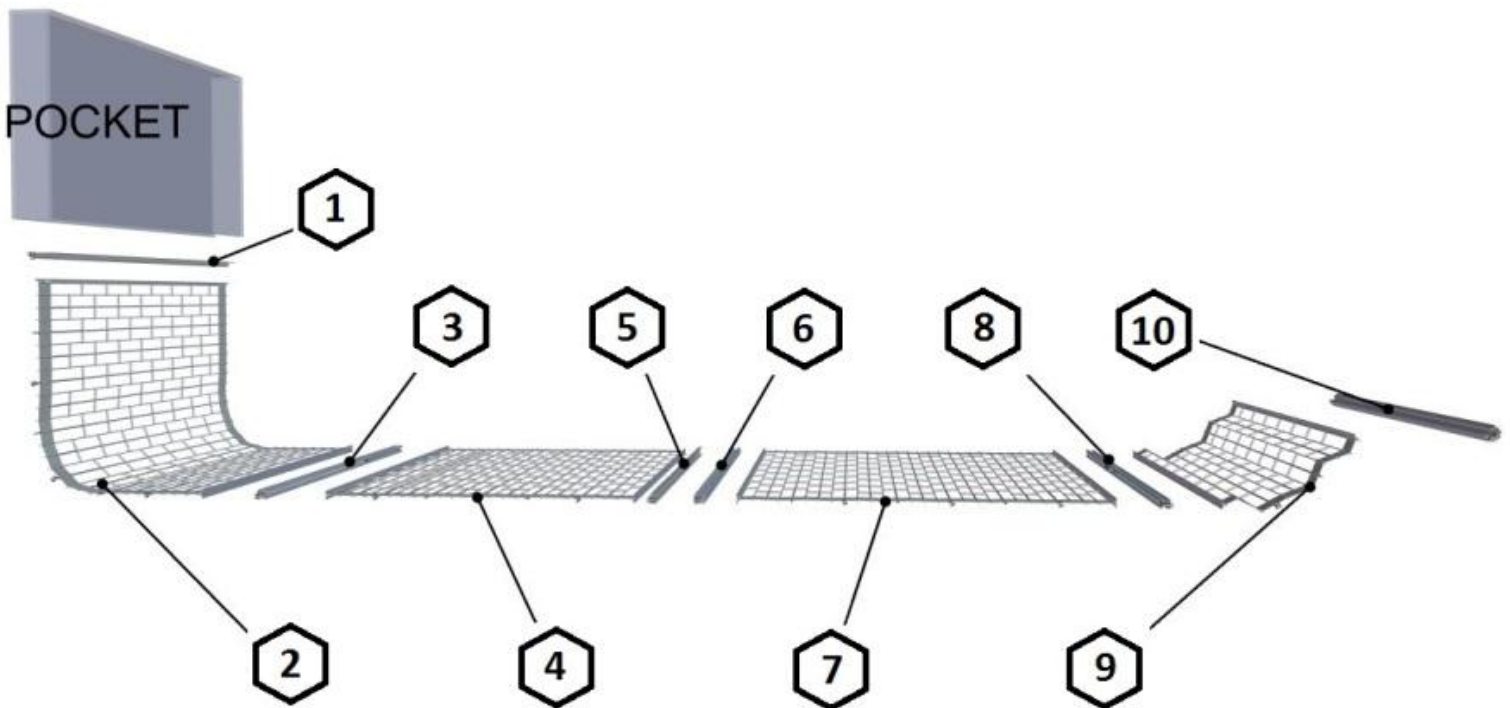
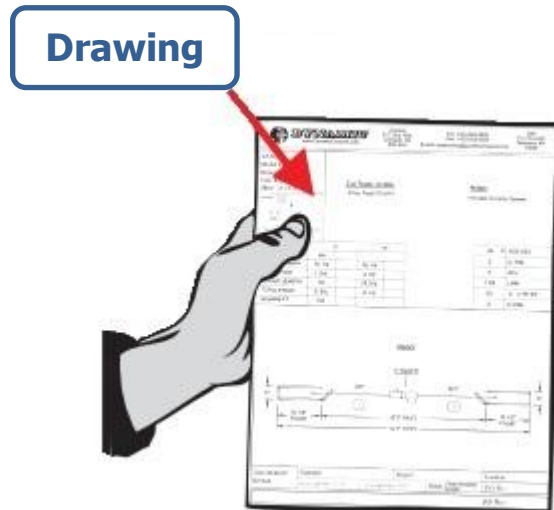
STEP 3

REFER TO DRAWING

The layout drawing in your installation package will show you the order of the door sections and posts.

Each section of door and locking post is numbered.

IMPORTANT: Hang posts and sections in the same order as they appear on the drawing, making sure that the SECURE SIDE of each is facing the correct direction.



EACH POST AND DOOR SECTION IS LABELED WITH ITS OWN SEQUENCE (ASSEMBLY) NUMBER. THIS NUMBER WILL MATCH THE SEQUENCE NUMBER ON THE LAYOUT DRAWING

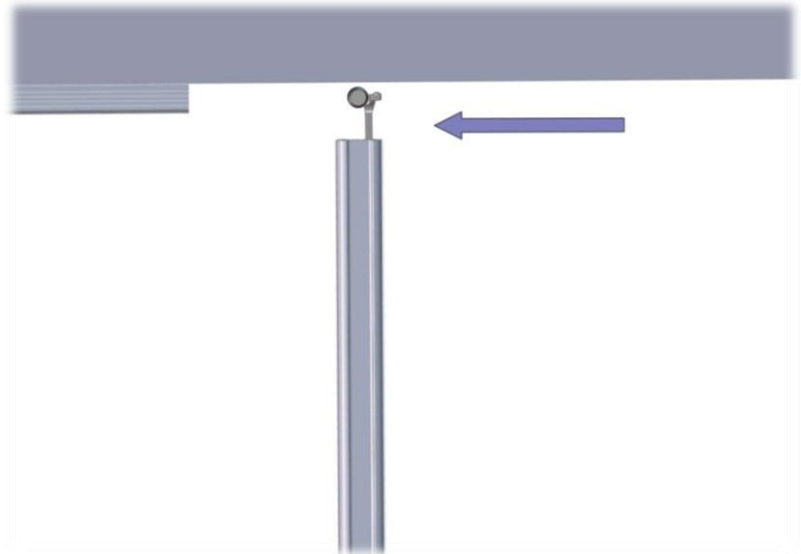
HANG FIRST POST

Check the drawing for the post that is furthest away from the break in the track. This will be the first component to hang (see Step 6 for post descriptions).

Lift the post up and slide the trolley into the track.

Note: The trolley assembly could point either direction depending on door layout.

IMPORTANT: Check the drawing to verify that the locks on the post are facing the correct way. If the locks are backwards, turn post around in the track before proceeding.



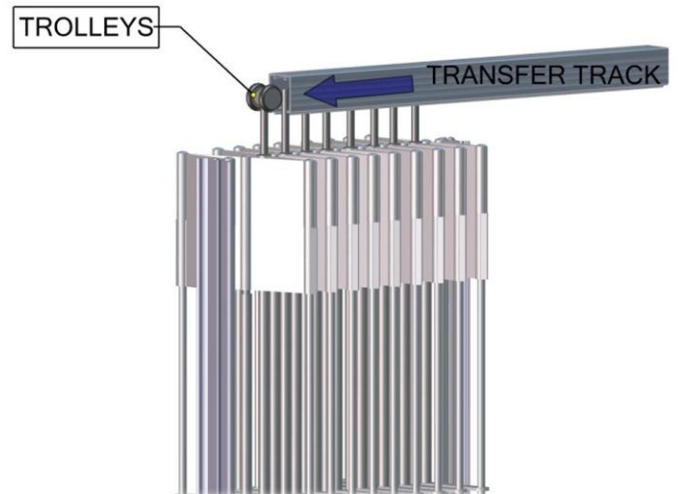
HANG FIRST SECTION OF CURTAIN

Check the drawing for the section of curtain to hang next to the post.

IMPORTANT: Verify that the correct side of the curtain is being hung toward the secure side of the track.

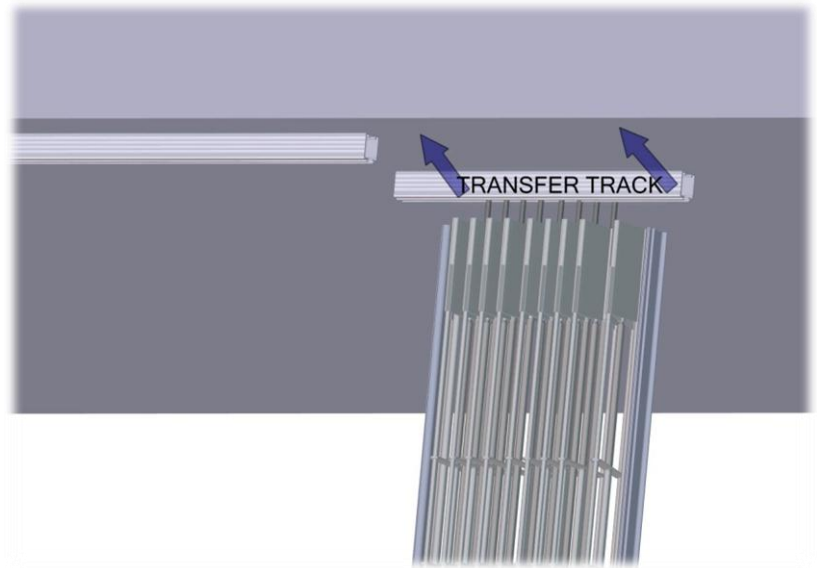
The screw channel on the connectors at each end of the door section will always point toward the secure side.

Slide the transfer track provided onto the trolleys. ENSURE NO TROLLEYS ARE SIDEWAYS in the track.



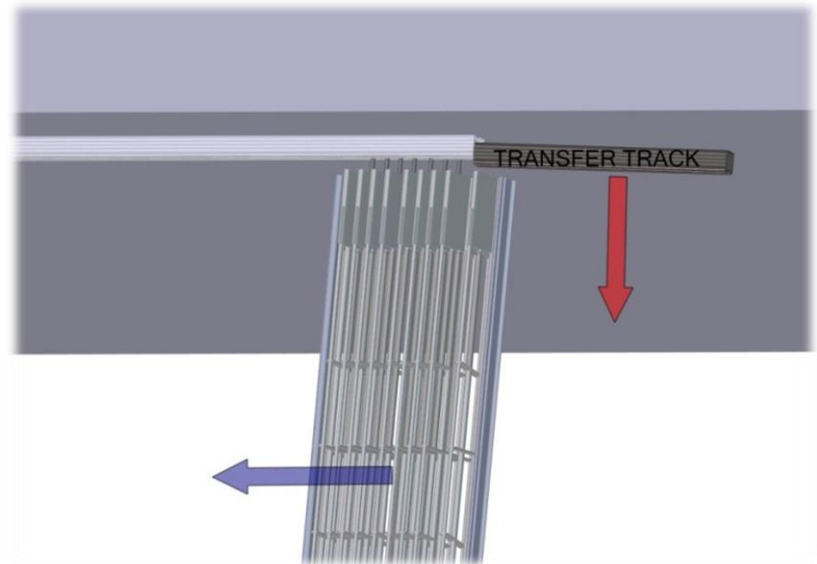
Lift the curtain and place the transfer track end-to-end with the installed track.

Hint: Using a properly-sized block of wood under the door will help hold up the the weight of the section when it is vertical.



Slide the curtain section into the installed track.

CAUTION: The transfer track will fall after the curtain is transferred into the installed track unless restrained.



Repeat steps until entire door is hanging.
VERIFY THAT ALL POSTS AND SECTIONS ARE IN THE CORRECT ORDER AND ORIENTATION.
Once verified, complete final track installation.

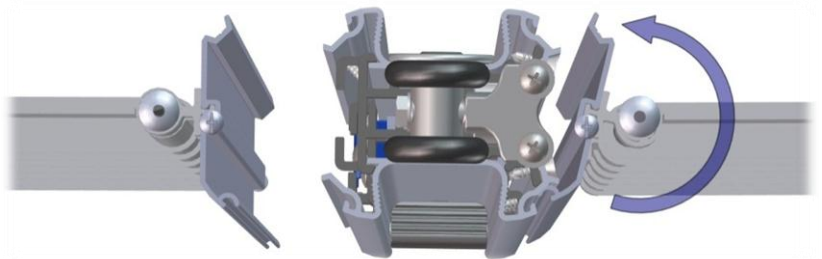
ATTACHING POSTS TO CURTAIN

STEP
5

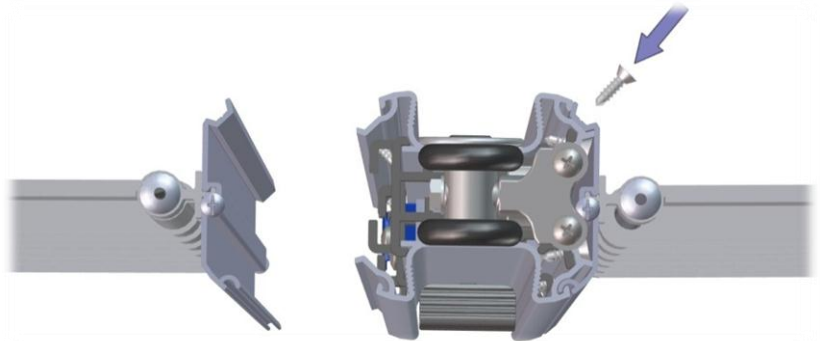
Place the curtain section close to the post.



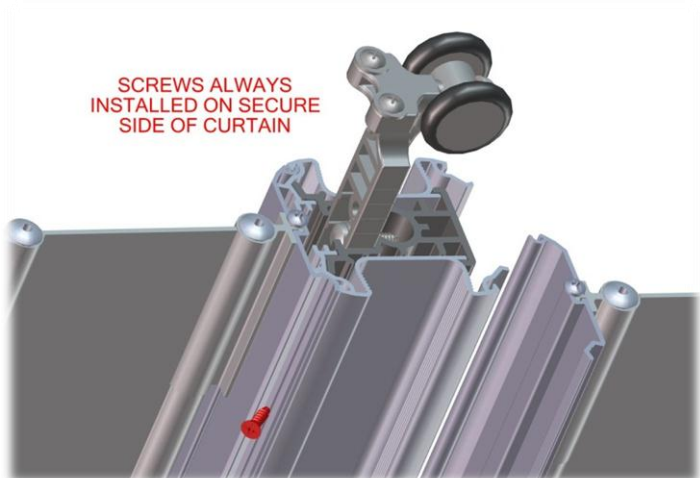
Insert the hook end of the connector into the slot on the post and rotate the curtain connector flat against the post.



Flush the connector with either the top or bottom of the post.



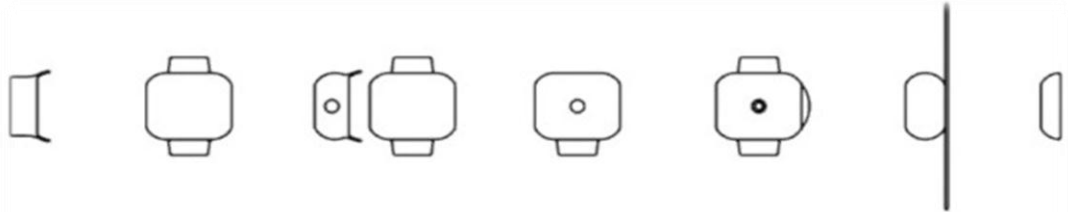
Attach by inserting the #6 self drilling screws in the screw channel. Place screws 2" from each end and spaced every 18".



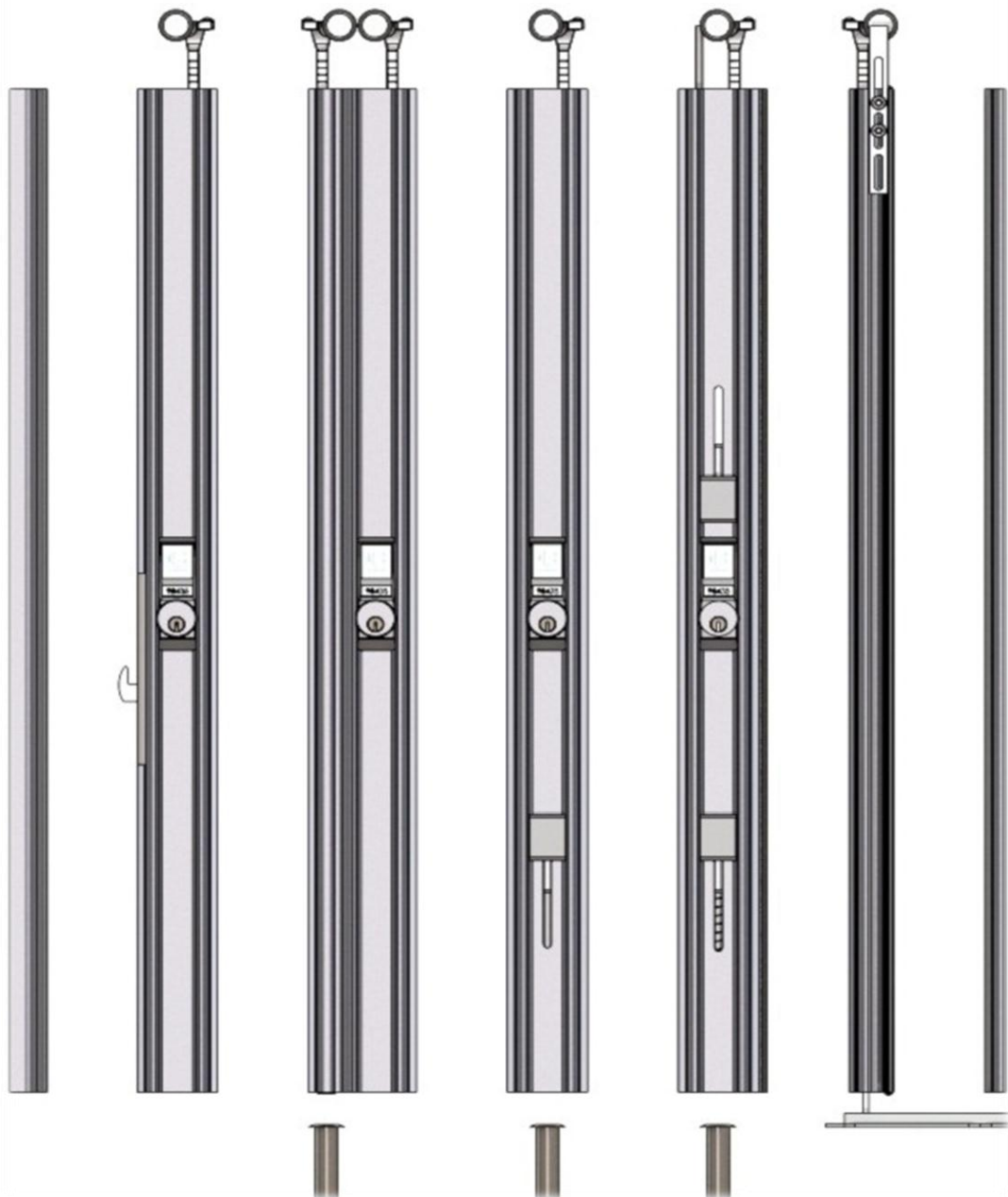
SYMBOLS, NUMBERING, AND NAMING

Post name	Wall Channel	Hookbolt	Bipart	Intermediate	Top & Bottom	Trailing	Fixed
Post number	1	2	3	5	7	9	10

Approval drawing symbol



Elevation View



POST DESCRIPTIONS

P01 - Wall Channel

A floor-to-track extruded aluminum channel that the hookbolt fits and locks into. This channel is secured permanently to the wall.

P02 – Hookbolt

One of the options for the leading edge of the door. This Post has a hookbolt Lock that secures it to the Wall Channel. Double hookbolt and top locking options are available.

P03 – Bipart

A pair of posts that lock together with a hookbolt, with an added lock rod to keep curtain in place. It is used to separate larger doors into manageable sections, or to split the door to stack in two different directions. The concealed lock rod engages into a floor or counter socket. Doors should have at least one bipart post for every 30' (9144 mm) of width. Double hookbolt and top locking options are available.

P05 – Intermediate

A middle post in a door located between door sections, containing a spring-loaded lock rod that engages a floor or counter socket to keep the door in place, which is unlocked with a keyed cylinder or thumbturn. As well as being located at intervals (no more than 10' (3048 mm)) along straight sections of door, Intermediate posts should be placed closer together on sweeping curves, and on or near the center of standard curves.

P07 - Top & Bottom

One of the options for the ends of a door. Spring-loaded lock rods engage a Floor or Counter Socket and the track support, and are unlocked with a keyed cylinder, thumbturn, or paddle (June 2014). Optional leading edge treatments include rubber bumper, flange, or blank face.

P09 – Trailing

The Trailing post terminates a door inside of a pocket (storage area). It is free to travel back and forth inside of the pocket. The post self-locks into the permanent header and floor stops, preventing the door end from leaving the pocket. A rear flange helps fill the opening to the side of the post to prevent reach through.

P10 – Fixed

Fixes the end of a door permanently to a wall or structure.

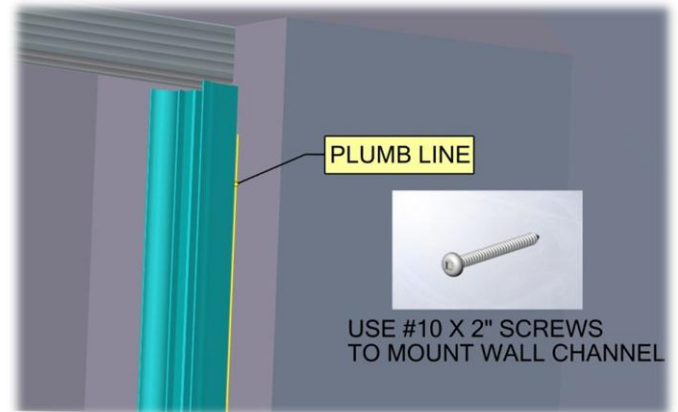
P01/P02 - WALL CHANNEL/HOOKBOLT

Measure the distance from the floor to the underside of track. If required, trim the base of the wall channel to match.

Center the wall channel directly under the track.

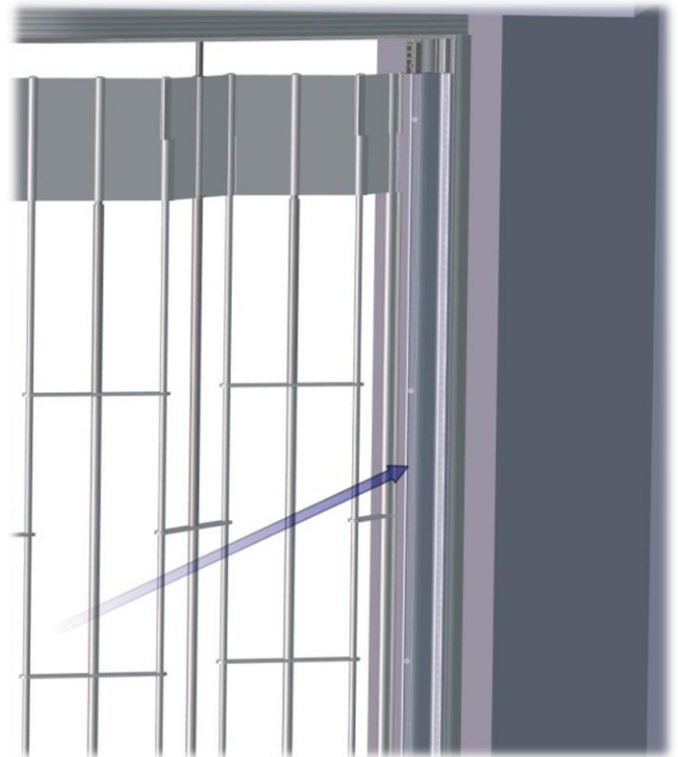
Check that the wall channel is plumb.

Mount the wall channel using the screws provided in the pre-drilled holes.



Set the lead post into the wall channel and operate the key to make sure the hook bolt engages the lock plate.

If required, adjust the lock plate in the wall channel to ensure a good connection. Refer to post adjustments section.



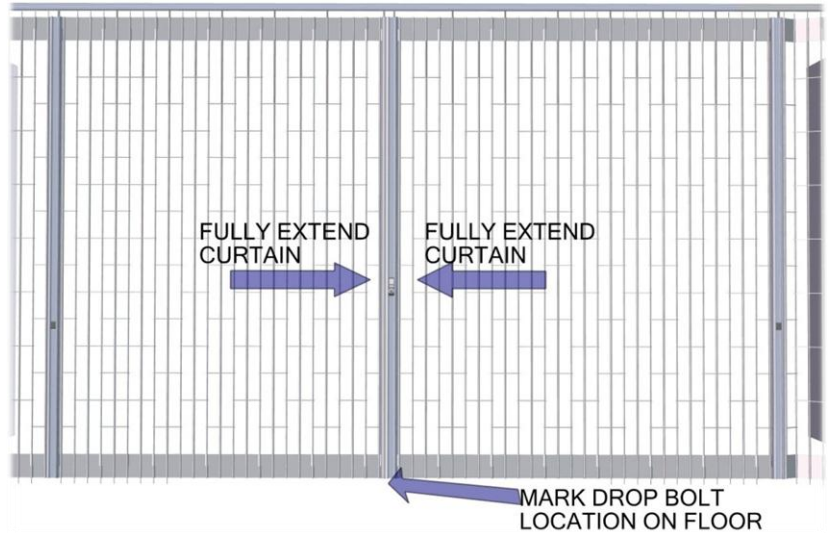
P03 - BIPART

Note: Install the Bipart post only after the posts at the ends of the door have been installed.

Lock all door sections together and lock two end posts in place. Fully extend door and position bipart in desired location.

Mark location on floor directly under lock rod in female post.

Unlock the Bipart and move male post away in order to lower the lock rod to double-check marked location.



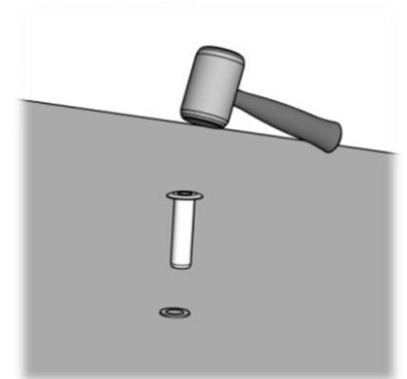
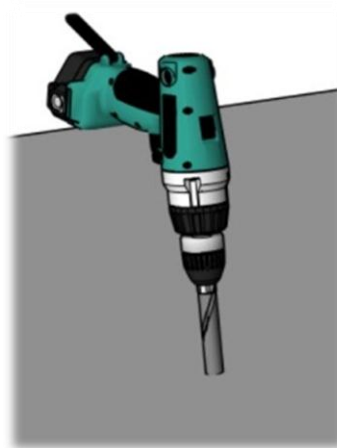
Drill the hole to accept the floor socket.

Drill size:

- 3/4" diameter x 2-3/4" min. deep for dustproof floor socket

- 5/8" diameter x 1" deep min. for counter trim ring

Insert the socket into the hole. Use a rubber mallet to help if needed. Take care to not strike the socket at an angle or with too much force, as damage may occur.



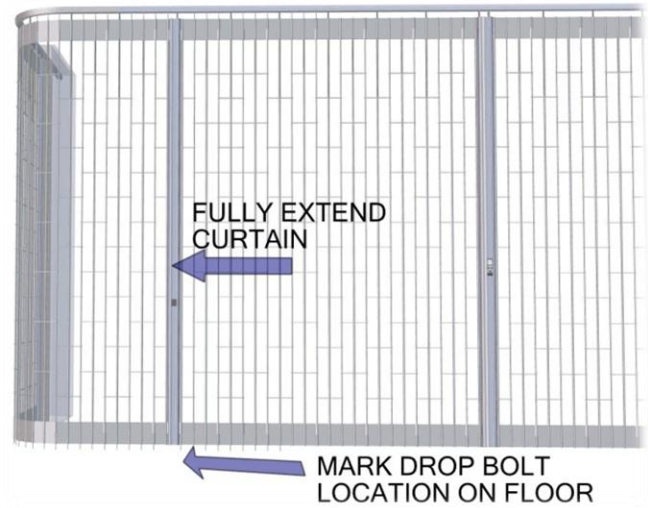
P05 - INTERMEDIATE

Lock all previously-installed posts in place.

Extend the door fully and allow the intermediate post to hang naturally.

Lower the drop rod and mark the location on the floor.

Note: If the door has a Bipart post, begin with the Intermediates adjacent to the central Bipart posts and work your way outwards. This will ensure that any slack in the door is located at the ends of the door, providing the best looking results. If a Trailing post is used, all slack should go towards that end.



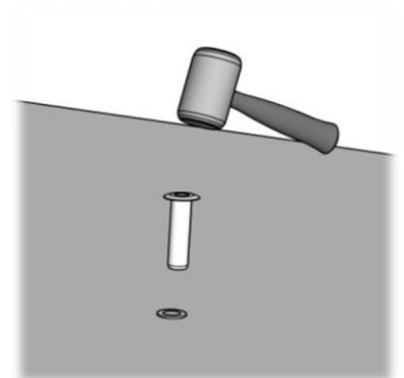
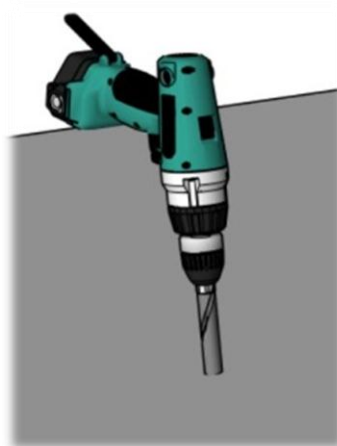
Drill the hole to accept the floor socket.

Drill size:

- 3/4" diameter x 2-3/4" min. deep for dustproof floor socket

- 5/8" diameter x 1" deep min. for counter trim ring

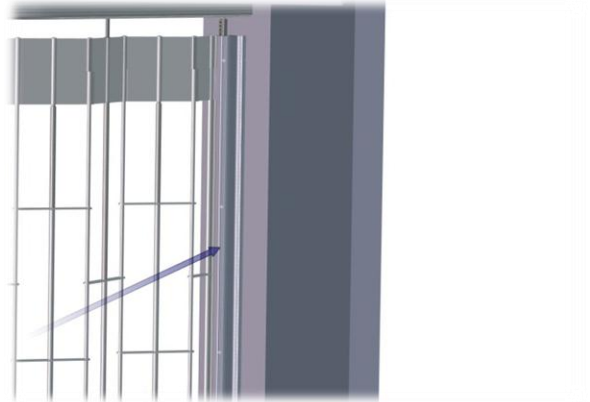
Insert the socket into the hole. Use a rubber mallet to help if needed. Take care to not strike the socket at an angle or with too much force, as damage may occur.



P07 - TOP & BOTTOM

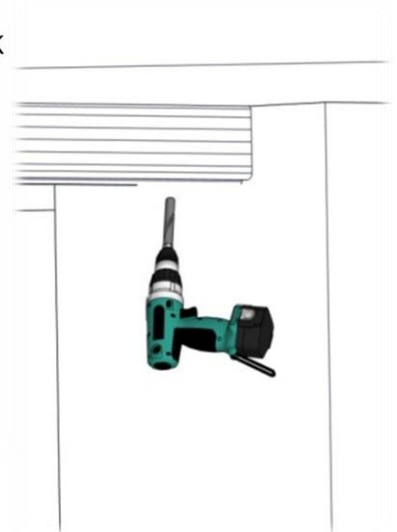
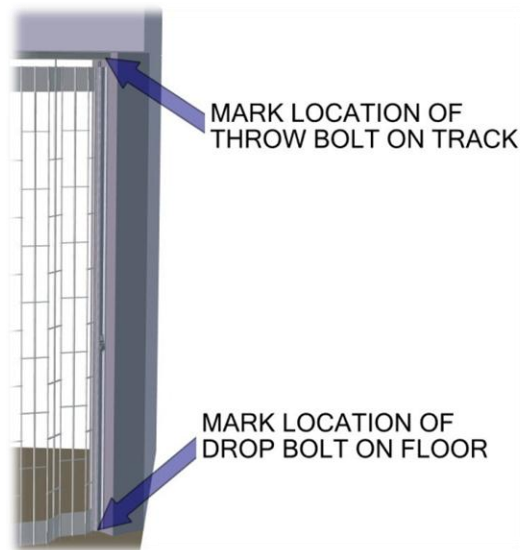
Place the Top & Bottom post in the locking position (usually resting against the end wall or pocket door).

Verify that the post is hanging plumb.



Mark the lock rod locations on the track and floor.

Drill 1/2" diameter hole in the track and track support for the top lock rod.



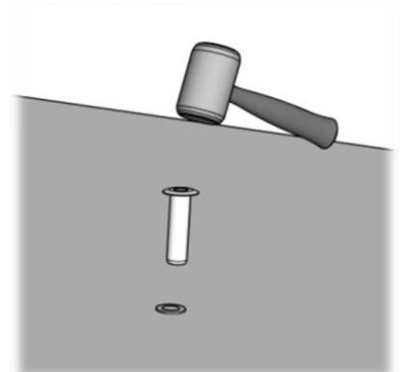
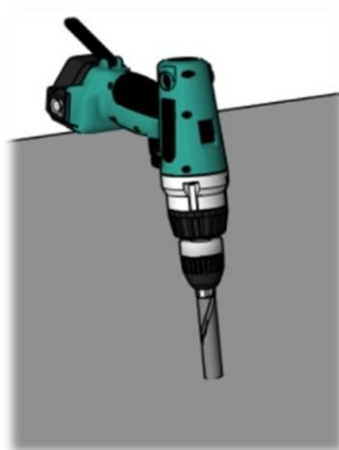
Drill the hole to accept the floor socket.

Drill size:

- 3/4" diameter x 2-3/4" min. deep for
dustproof floor socket

- 5/8" diameter x 1" deep min. for counter
trim ring

Insert the socket into the hole. Use a
rubber mallet to help if needed. Take care
to not strike the socket at an angle or with
too much force, as damage may occur.



P09 - TRAILING

Lock other posts in place. The trailing post should be the last post installed.

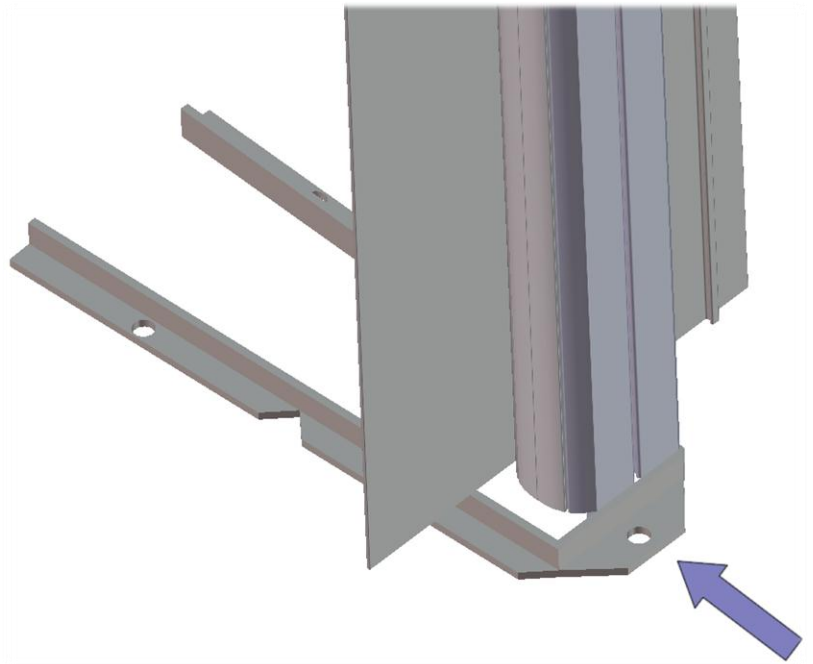
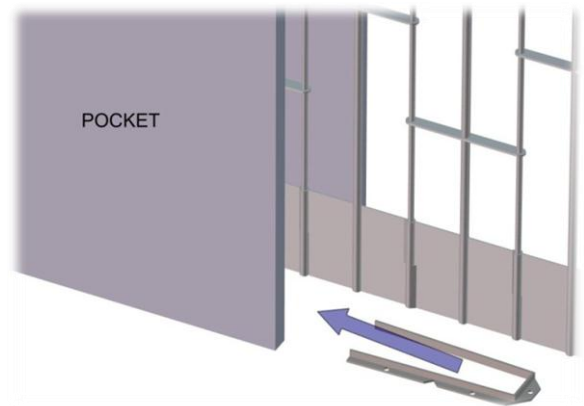
Extend curtain as far into the pocket as it will go without being tight.

A door that is too tight is difficult to lock, while one that is too loose is unattractive.

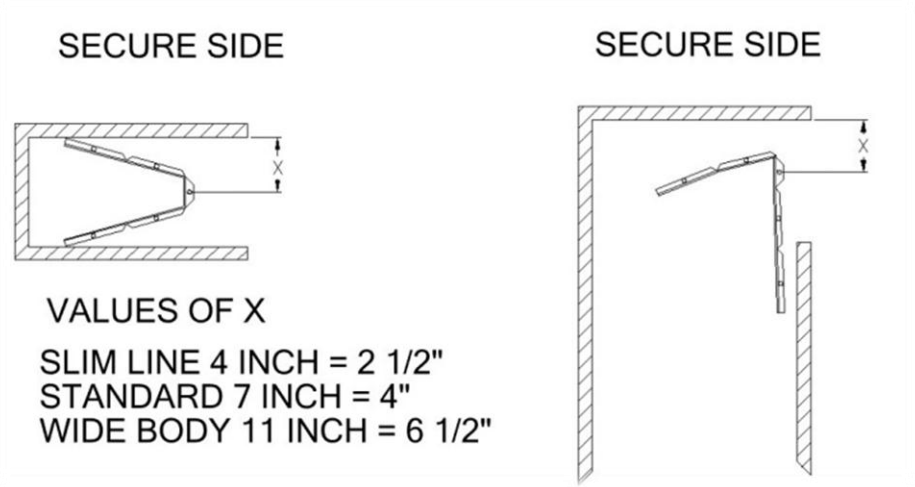
Place the V-stop flush with the front connector face of the trailing post.

Mark the front mounting hole on the floor.

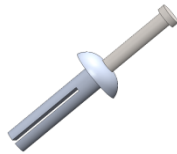
Remove the door and V-stop from the pocket area.



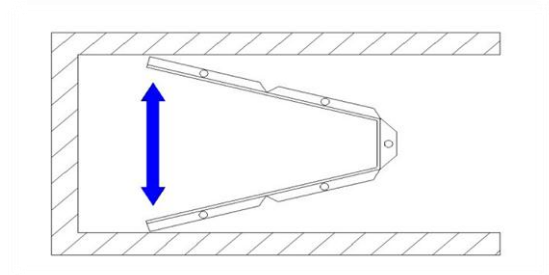
Bend the V-stop as required to fit the shape of the pocket



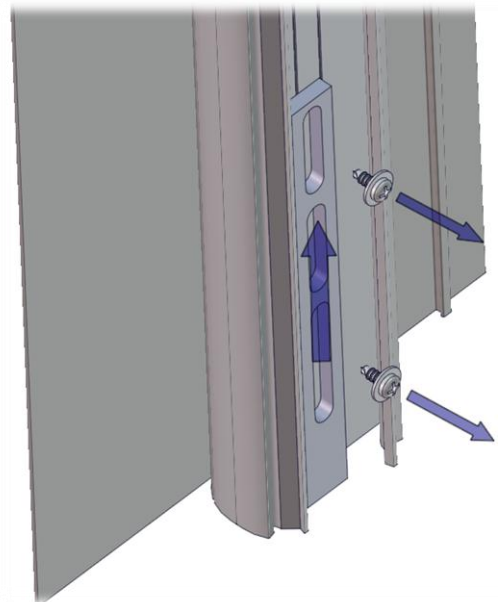
Drill a 1/4" hole, 1 1/4" deep where marked in the pocket. Replace V-stop and fasten using nail-in anchor provided.



Expand the V-stop stop to ensure the trailing post won't be able to move past it.



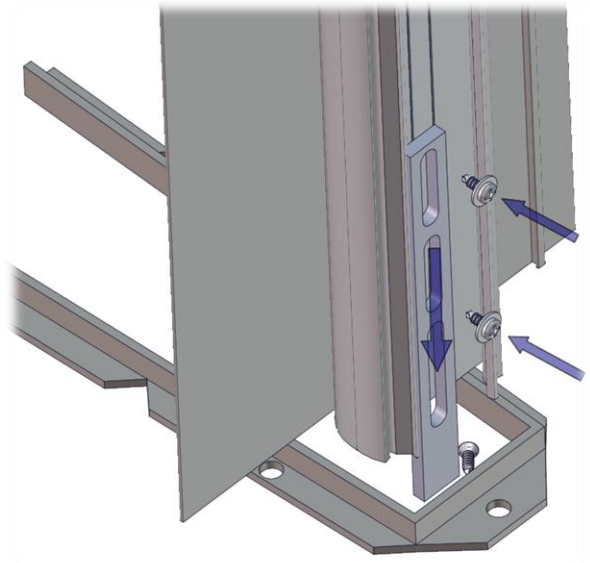
Detach trailing post from curtain (reverse directions in Step 5), and raise the bottom stop enough to pass over the V-stop.



Move trailing post behind V-stop.

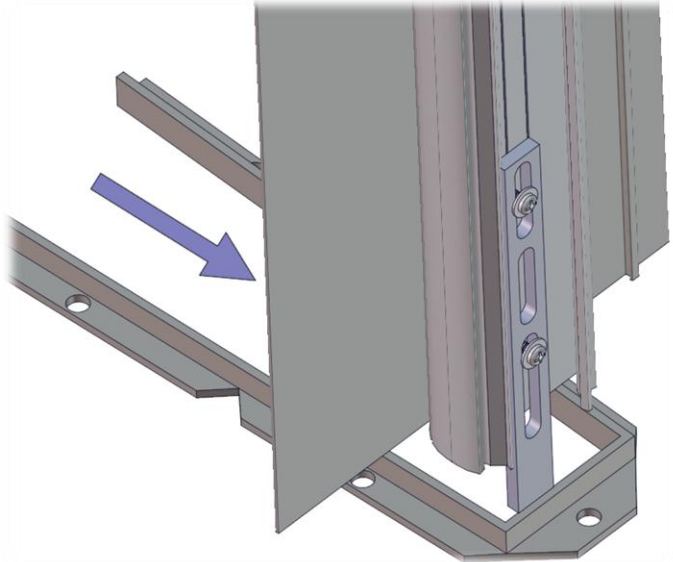
Loosen the retaining screws and lower the bottom stop until it is just off the floor.

Check that the stop clears the floor though the entire pocket are. Adjust if necessary.

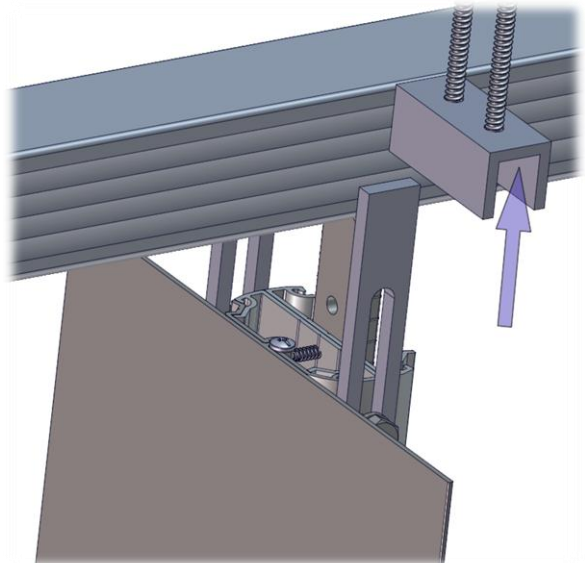


Move trailing post until the bottom stop is up against the V-stop.

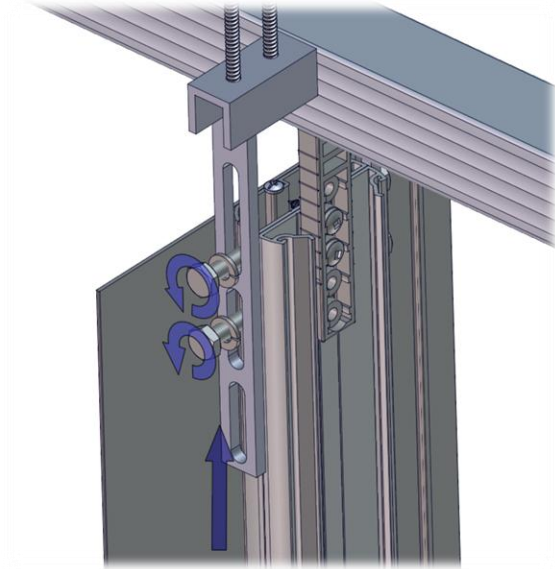
Check that the post is hanging plumb.



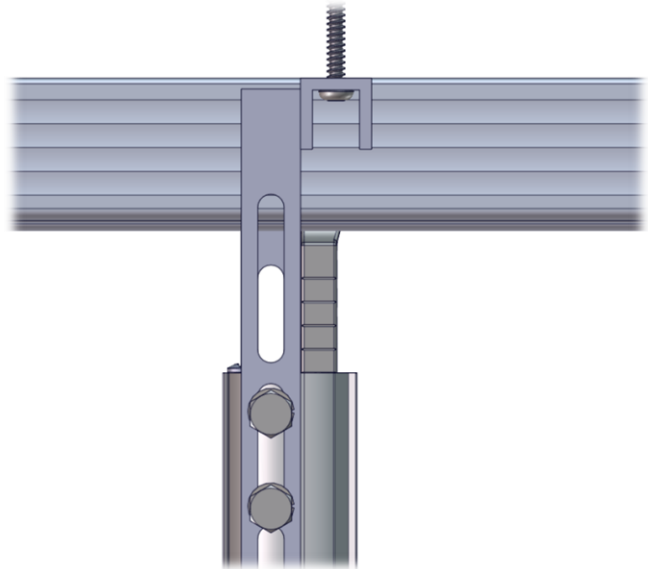
Install ceiling stop with #10 x 2" screws just in front of the post top stop.



Loosen the hex bolts to adjust the height of the top stop.



Raise the top stop so that it catches to ceiling stop. Leave as little clearance as possible between the top stop and the ceiling.

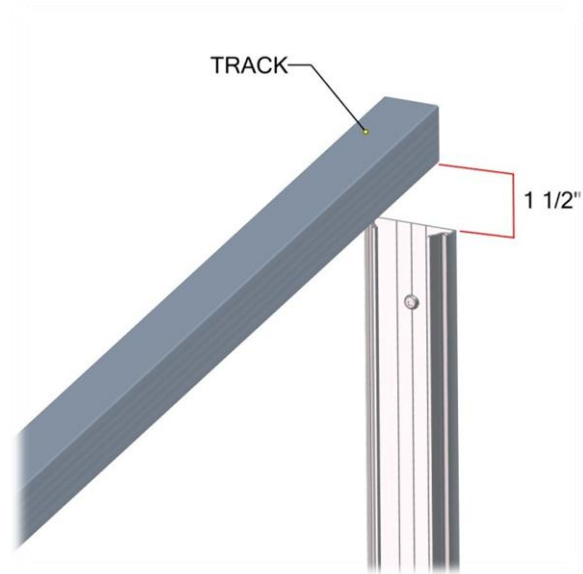


Re-attach trailing post to curtain (see Step 5).

P10 - FIXED

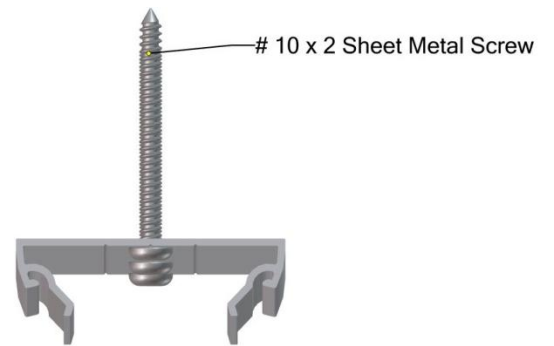
Center the fixed post 1.5" under the track.

Check that post is plumb.

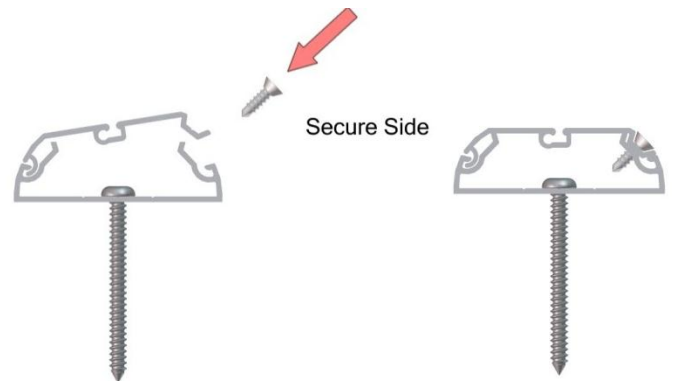


Screw to wall using 2" screws provided.

If material other than metal or wood is being fastened to, the installer must provide appropriate fasteners.

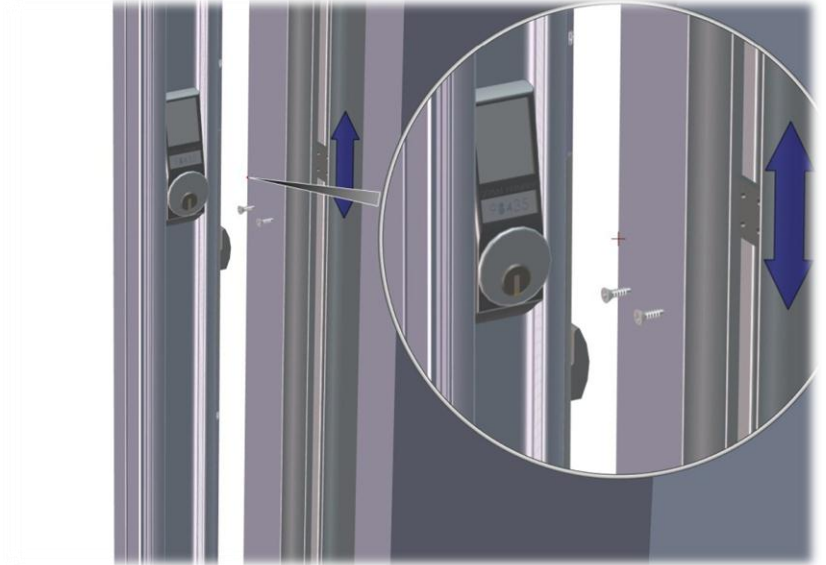


Attach the adjacent curtain (See Step 5).

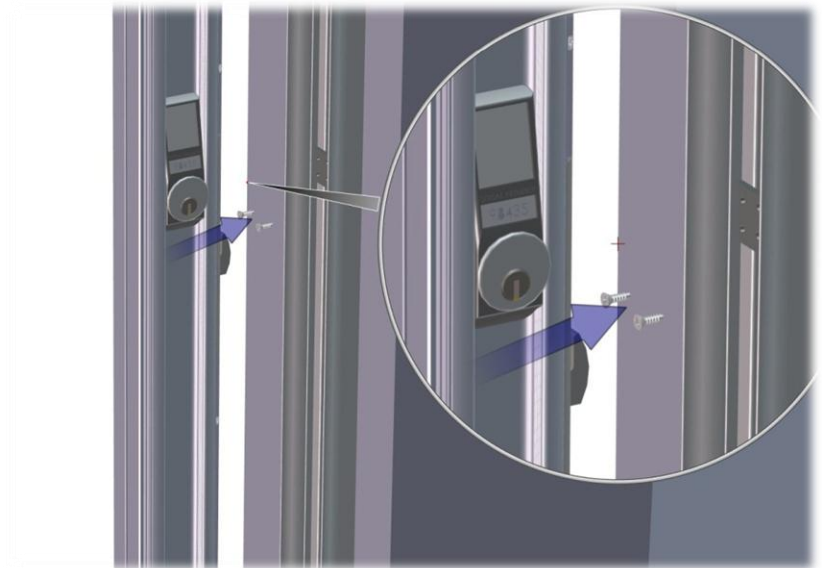


HEIGHT ADJUSTMENT OF LOCK PLATE – LEAD POST AND FEMALE BI-PART

Remove the two retaining screws in the lock plate and adjust the plate up or down.

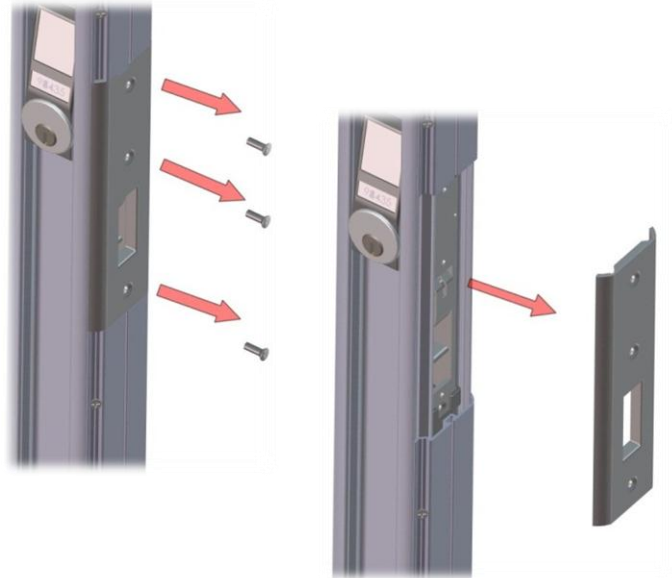


Re-fasten the plate to the post. Use alternate mounting holes if required. Test for proper function with hookbolt.

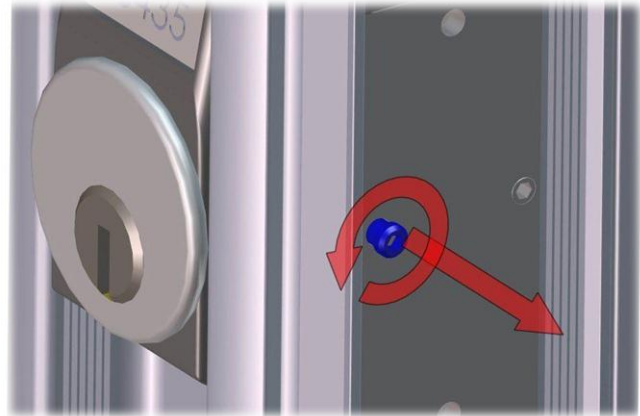


CYLINDER REMOVAL – LEAD POST

Remove the 3 retaining screws and the cover plate.

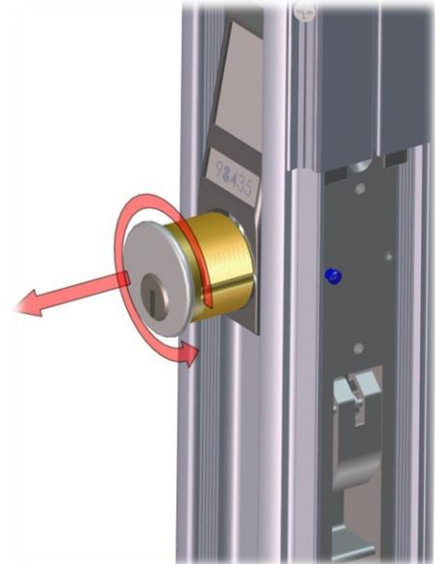


Loosen the set screw .



Remove the cylinder by unscrewing it counter-clockwise.

Hint: A partially-inserted key makes turning the cylinder easier.

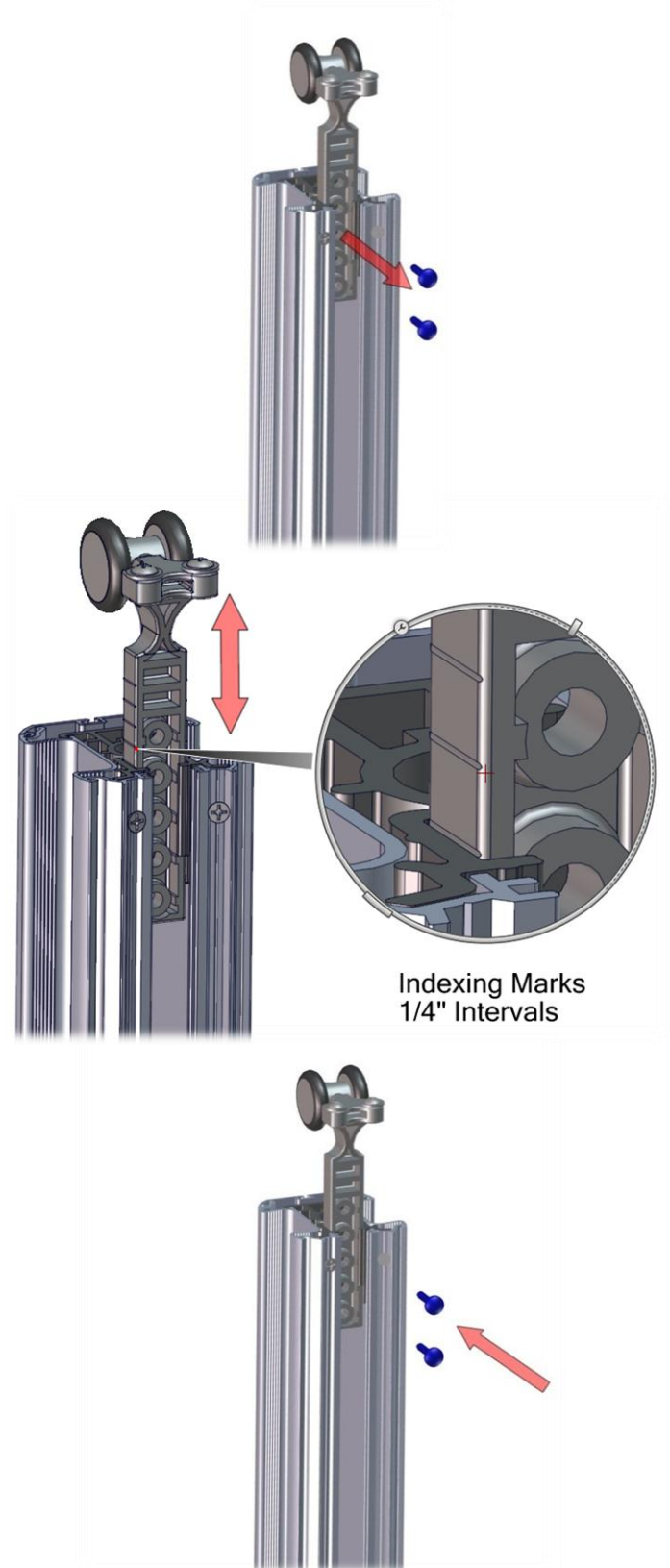


HEIGHT ADJUSTMENT – ALL POSTS

Remove the two screws holding the hanger in place.

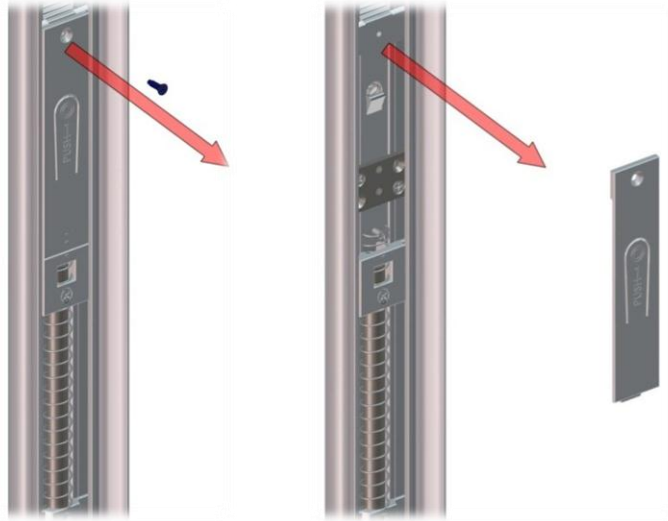
Adjust the height of the hanger. Use the indexing marks on the side of the post hanger as a guide (1/4" intervals).

Replace the hanger screws.
Select appropriate holes to ensure that both screws have purchase in the support block



ADJUSTING THE LOCK ROD THROW – FEMALE BIPART

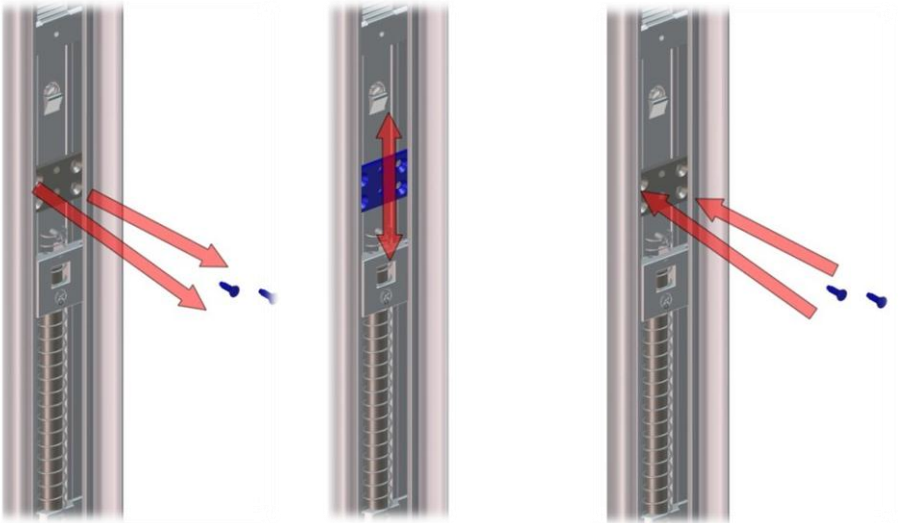
Remove the retaining screw and the lock cover plate.



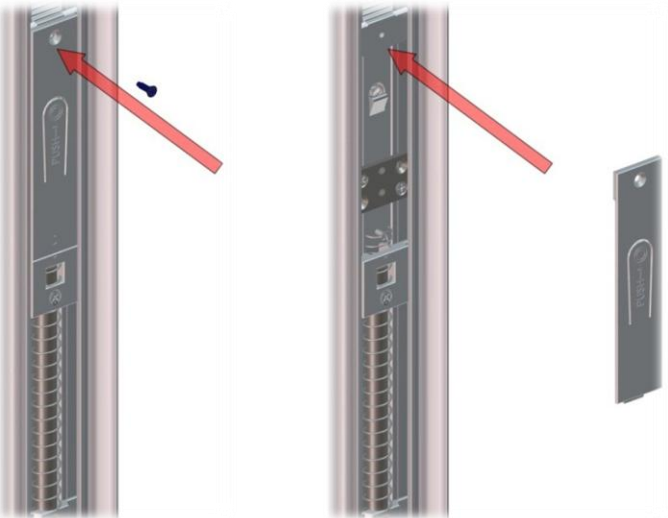
Remove the two screws in the lock plate.

Adjust the plate up to shorten throw, or down to lengthen throw.

Replace the lock plate retaining screws



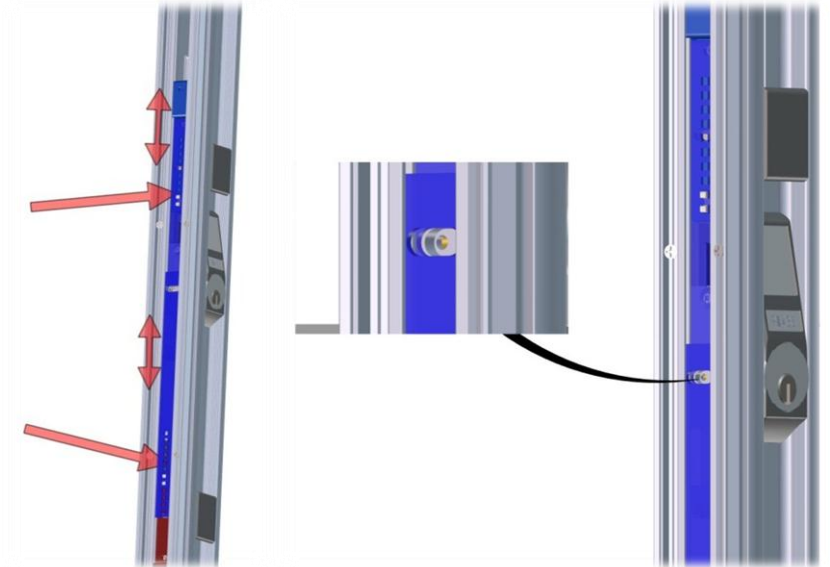
Replace the cover plate and retaining screw.



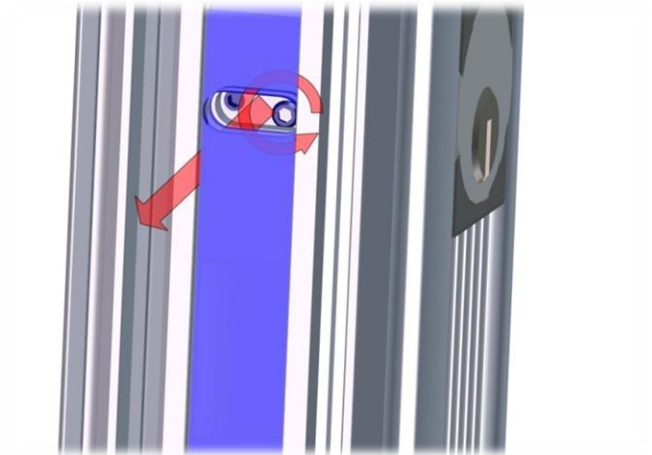
CYLINDER REMOVAL - INTERMEDIATE AND TOP & BOTTOM

Unlock the post so that the lock plate(s) retract.

Adjust the lock plates up/down (if required) so that the set screws in the lockset are accessible through the oval cut-outs (see instructions on next page).

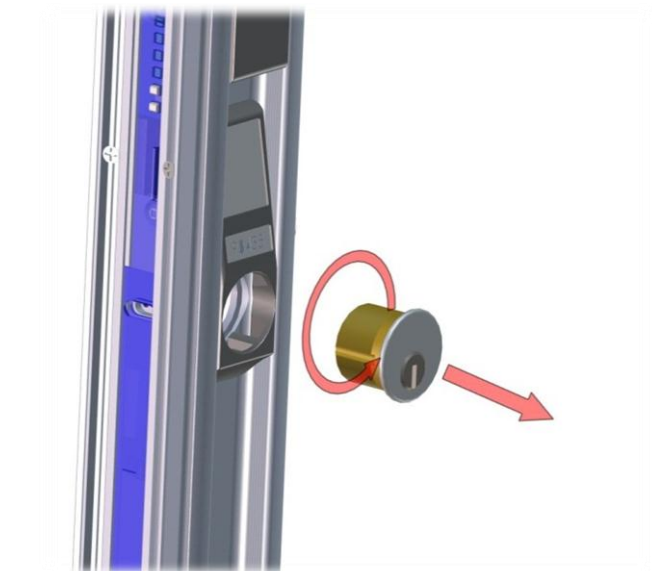


Loosen the set screw.



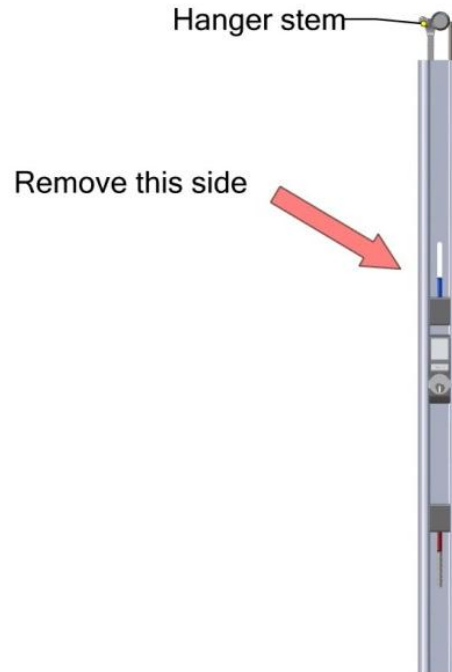
Remove the cylinder by unscrewing it counter-clockwise.

Hint: A partially-inserted key makes turning the cylinder easier.



ADJUSTING THE LOCK ROD THROW - INTERMEDIATE AND TOP & BOTTOM

Remove the side of the post closest to the hanger stem



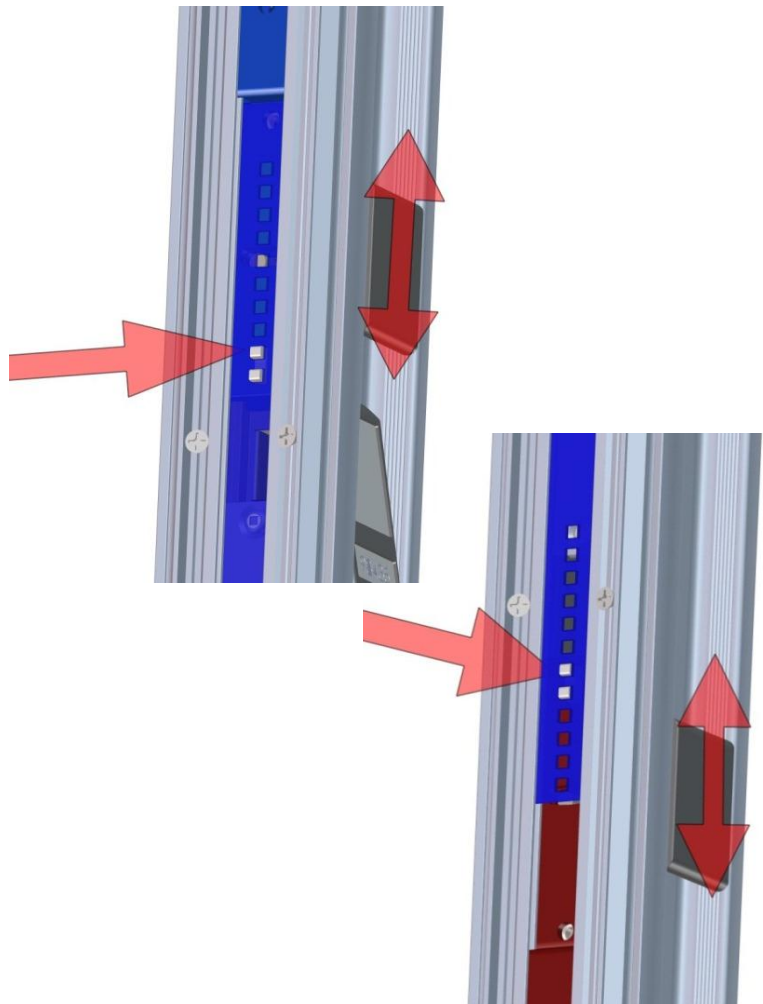
The top lock rod will always travel 1.5" from unlocked to locked, but the position is variable.

The bottom lock rod will always retract to the same unlocked position, but the length of throw is variable.

To adjust the stickout of the top rod, or to adjust the length of throw on the bottom lock rod:

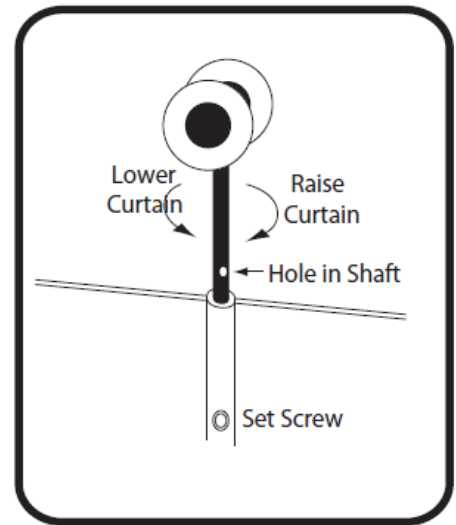
Depress the spring-loaded pins in the lock plate

Slide the plate up or down in 1/4" intervals until the pins engage the lock plate at the required height.



CURTAIN HEIGHT ADJUSTMENT

- Adjustment of 1 in. upward or downward maximum.
IMPORTANT: All trolleys must be adjusted to the same height.
- Slightly loosen set screw in panels and posts with 5/64 in. hex key (provided in hardware bag).
- Insert hex key into hole in shaft
- Turn clockwise to raise curtain
- Turn counterclockwise to lower curtain
- 8 Complete rotations equals 1/4 in.
- 32 Complete rotations equals 1 in.
- HELPFUL HINT:** Count the number of turns and repeat on all hanger panels and post assemblies.
- Trolleys must ride properly in track.
- IMPORTANT:** Remember to tighten screw after adjustment.



Dynamic Closures Corporation

SIDE FOLDING Two Year Limited Warranty

Dynamic Closures Corporation stands behind the group of products it supplies to its distributors and dealers who use these products in accordance with the recommended Dynamic Closures assembly procedures.

Although we provide detailed installation instructions with each Side Folding system or other product, we are not responsible for assuring that these instructions are followed. We are not to be held liable for improper installation of our products. We are not responsible if our products are improperly used in applications not conforming to acceptable architectural and construction practices. Nor are we responsible when a defect results from use of a non-Dynamic Closures part with a Dynamic Closures product in assembly.

Dynamic Closures stands behind its products with a **24-month limited warranty** on parts providing the recommended assembly, installation and maintenance procedures have been followed. If Dynamic Closures products fail to meet any claims in published literature or advertisements, within the 24-months after purchase time frame, we will furnish new components necessary to remedy the problem or refund the purchase price at our option. Labor and consequential damages are not included in this warranty; any implied warranty of merchantability, are hereby expressly excluded.

CLEANING AND CARE

Clean with mild soap or detergent (e.g. Joy® Dishwashing Liquid) and lukewarm water. Rinse well with clean water. Dry thoroughly with a chamois or moist cellulose sponge to prevent water spots.

For tough cleaning jobs, Fantastik all purpose cleaner or other household spray cleaners may be used. Important: spray solution on a clean cloth and rub.

DO NOT spray directly on closure. Rinse well with clean water and dry thoroughly with a chamois or moist cellulose sponge if recommended by cleaner manufacturer.

DO NOT use abrasives of any kind.

Never scrape the surface with sharp instruments.

Dynamic Closures Corporation continues to strive to adopt the principles of sustainable development. Dynamic is committed to protecting the environment, to pollution prevention and to maintaining public health and safety during all phases of our operations. In order to achieve this goal, Dynamic maintains a proactive, continuously improving, environmental management system which systematically reviews any environmental aspects over which we have control. In this spirit, Dynamic Closures Corporation has assessed the cleaners that we recommend to our clients, in order to insure that they are both effective on our products and as benign as possible to the environment. In all cases, it is preferable to prepare only as much cleaning solution as will be required for the job at hand. Any residual solution should be disposed of according to local, State, Provincial, and Federal laws.

MAINTENANCE

Important! All equipment must be maintained by a trained service technician. Serious personal injury can result if an inexperienced person attempts to service any product. Contact our Customer Service department at (800) 663-4599 to locate the nearest authorized service company.

INSTALLATION CHECKLIST

TRACK

- All joints are square and tight
- Alignment bars and pins bridge all joints
- Open ends are blocked

COMPONENTS & CONNECTIONS

- All locks are facing the proper direction
- All curtain connectors fastened on secure side of door
- Connectors all securely fastened

FIT & FUNCTION

- All posts and locks operate properly
- Door moves smoothly over whole track
- Door fits properly in storage area(s)

HANDOVER TO CUSTOMER

- Door is clean and in good condition
- Keys and documentation have been delivered
- Customer has reviewed and been trained to operate door