

INSTALLATION INSTRUCTIONS HIGH SPEED FREEZER AND COOLER DOOR MODEL 887 ADV-XTREME



**Wayne
Dalton**[™]
COMMERCIAL DOORS

This installation manual provides the trained door technician information required to install an ADV-XTREME High Speed Freezer And Cooler Door.

READ COMPLETE INSTRUCTIONS BEFORE INSTALLING DOOR.

Some installation tasks listed in this document are found in other documents.

Please refer to the appropriate document(s) as directed;

364641 Installation Instructions VFD for High Speed Freezer And Cooler Doors (Included)

308577 Hilti Kwik Bolt Installation found on Ribbon Connect.

This manual is intended **ONLY** for professional use by a trained door systems technician. All others please refer to the end user manual provided to you.



TABLE OF CONTENTS		
SECTION	CONTENTS	PAGES
1	SAFETY INFORMATION	3
2	INSTALLATION	4-12
3	FIRST MANUAL DOOR OPERATION	13-14
4	ELECTRONICS	15
5	FINAL INSTALLATION STEPS	16
	WARRANTY	17

SECTION 1 - SAFETY INFORMATION

OVERVIEW OF POTENTIAL HAZARDS READ THIS SAFETY INFORMATION

⚠ WARNING


ADV-XTREME High Speed Freezer And Cooler Doors are large, heavy objects that move with the help of electric motors. Since moving objects and electric motors can cause injuries, your safety and the safety of others depends on you reading the information in this manual. If you have any questions or do NOT understand the information presented, call technical support at 1-800-764-1457 option 4.

1. Read manual and warnings carefully.
2. All models are equipped with an over current device. This must be manually reset following an over current condition.

In this section and those that follow, the words "**DANGER**", "**WARNING**", and "**CAUTION**" are used to stress important safety information. The word:

- ⚠ **DANGER** indicates an imminently hazardous situation which, if not avoided, will result in death or serious injury.
- ⚠ **WARNING** indicates a potentially hazardous situation which, if not avoided, could result in death or serious injury.
- ⚠ **CAUTION** indicates a potentially hazardous situation which, if not avoided, may result in injury or property damage.

The word **NOTE** is used to indicate important steps to be followed or important considerations.

POTENTIAL HAZARD	EFFECT	PREVENTION
 <p>MOVING DOOR</p>	<p>⚠ WARNING Can Cause Serious Injury or Death</p>	<p>Do NOT operate unless the doorway is in sight and free of obstructions. Keep people clear of opening while door is moving.</p> <p>Do NOT change control to momentary contact unless an external reversing means is installed.</p> <p>Do NOT operate a door that jams.</p>

SECTION 2 - INSTALLATION

UNPACKING COMPONENTS



CAUTION
Lift from below with forklift. Do not lift with the shafts. This could cause damage or personal injury.



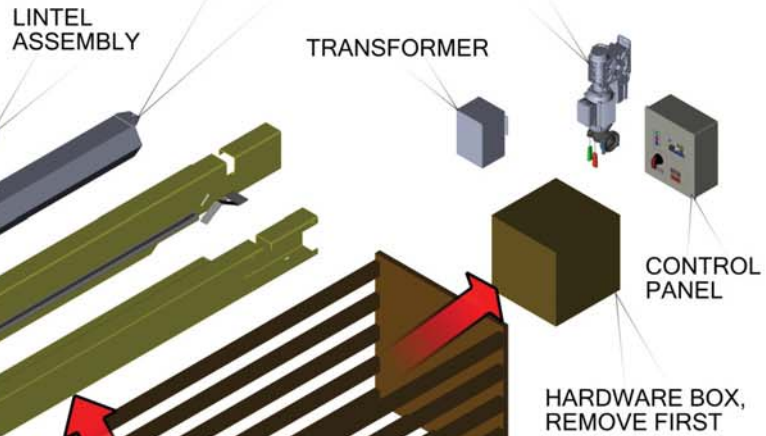
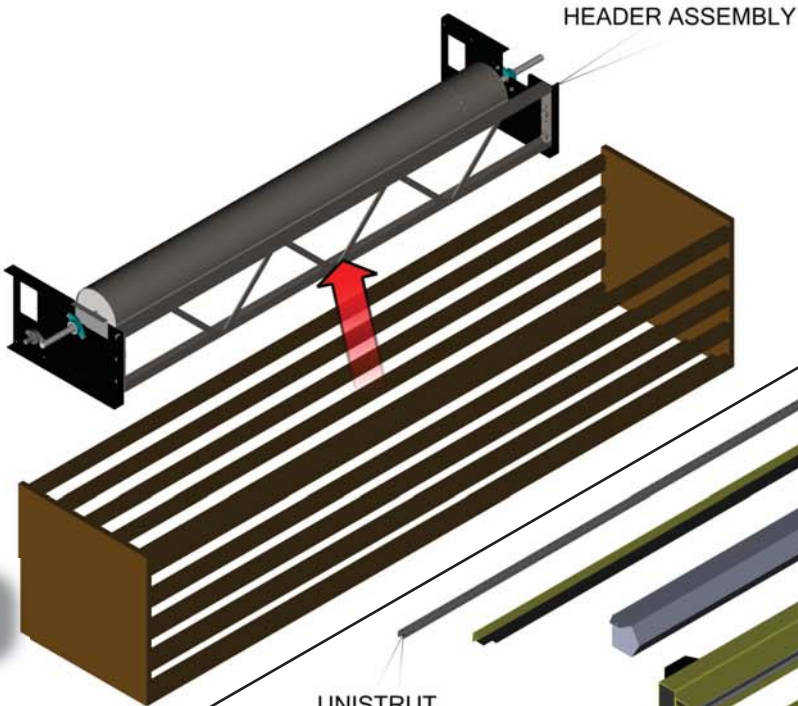
WARNING
Use designated lifting hole and appropriate lifting equipment to avoid damage, serious injury, or death.



CAUTION
Team lift to avoid injury.

AIR CURTAIN
(DEPENDING ON APPLICATION)

HEADER CRATE



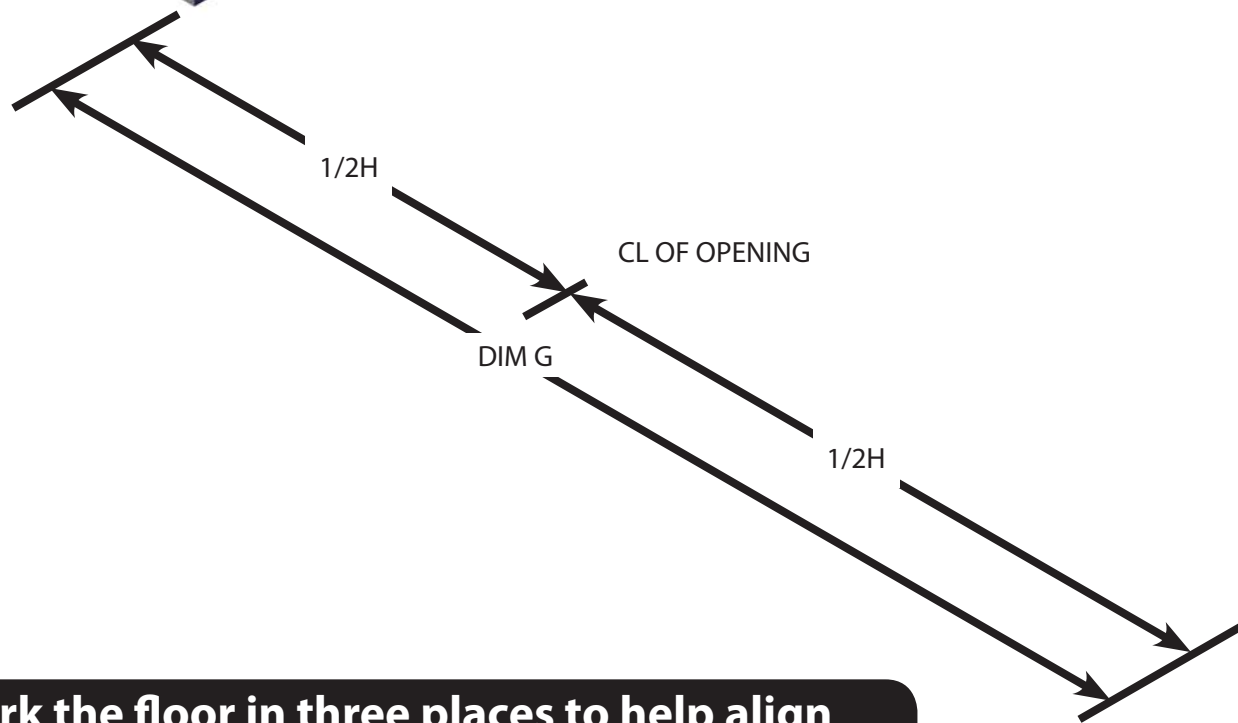
CAUTION
Use forklift to avoid injury.

GUIDES CRATE

SECTION 2 - INSTALLATION

SITE PREPERATION

NOTE: Check that the floor, jamb, and header are level, square, and plumb. If they are not, you will need to add shims as necessary. A laser lever is highly recomended for this job.



NOTE: Mark the floor in three places to help align the guides that will be placed in the following step.

SECTION 2 - INSTALLATION

GUIDE INSTALLATION

SLOTS USED FOR ANCHORING TO STEEL

PROVIDED FASTENERS

INSULATION

DIVIDER WALL

LEFT HAND GUIDE ASSEMBLY

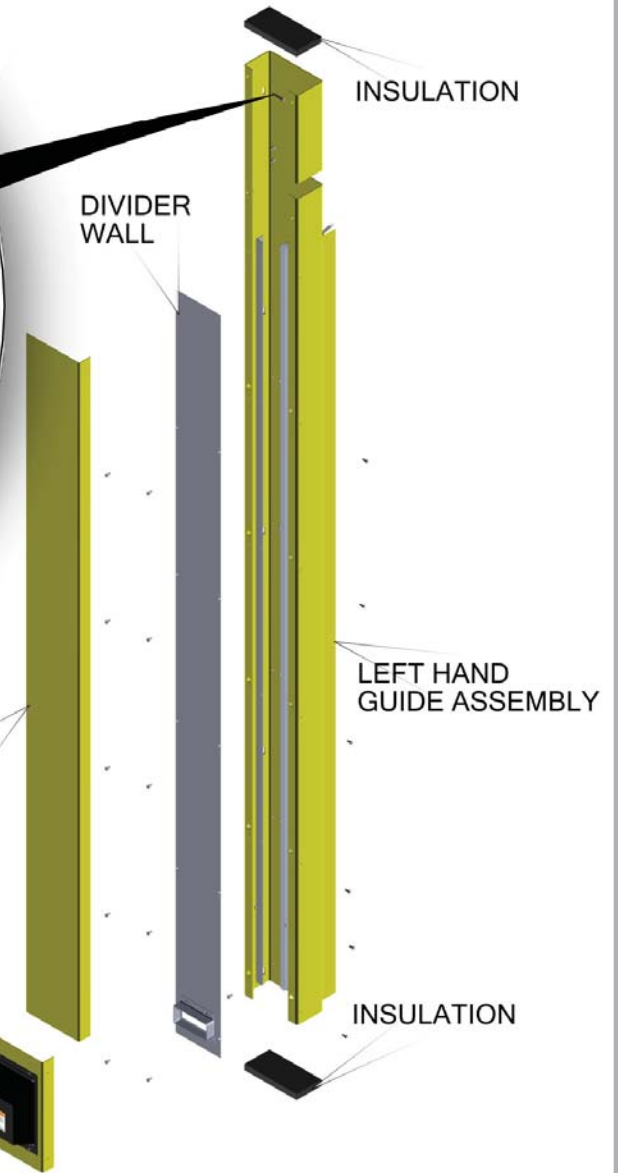
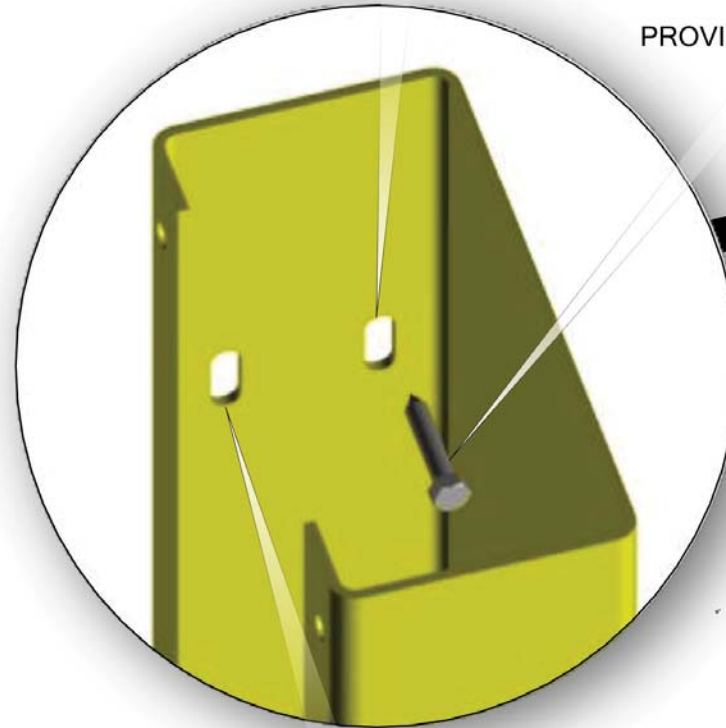
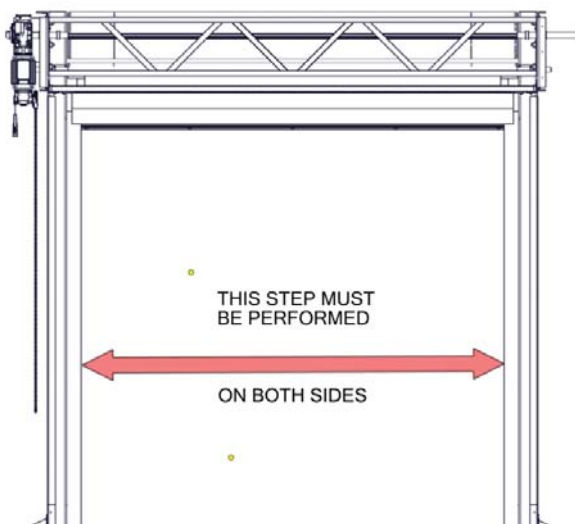
GUIDE COVER

HEATER ASSEMBLY

INSULATION

SLOTS FOR ANCHORING TO MASONRY

NOTE: Temporarily remove the heater assembly, the guide cover, the divider wall assembly and the two pieces of insulation for access.



SECTION 2 - INSTALLATION

GUIDE INSTALLATION



WARNING

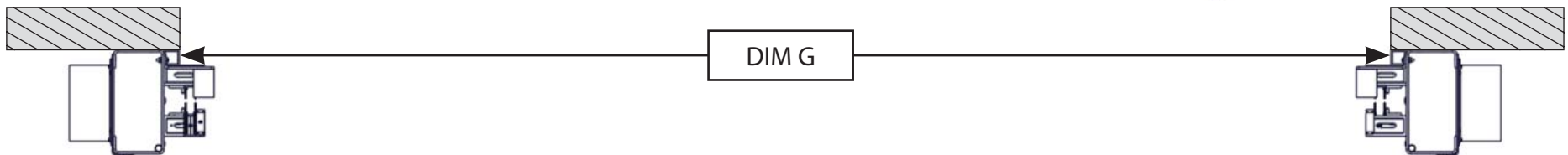
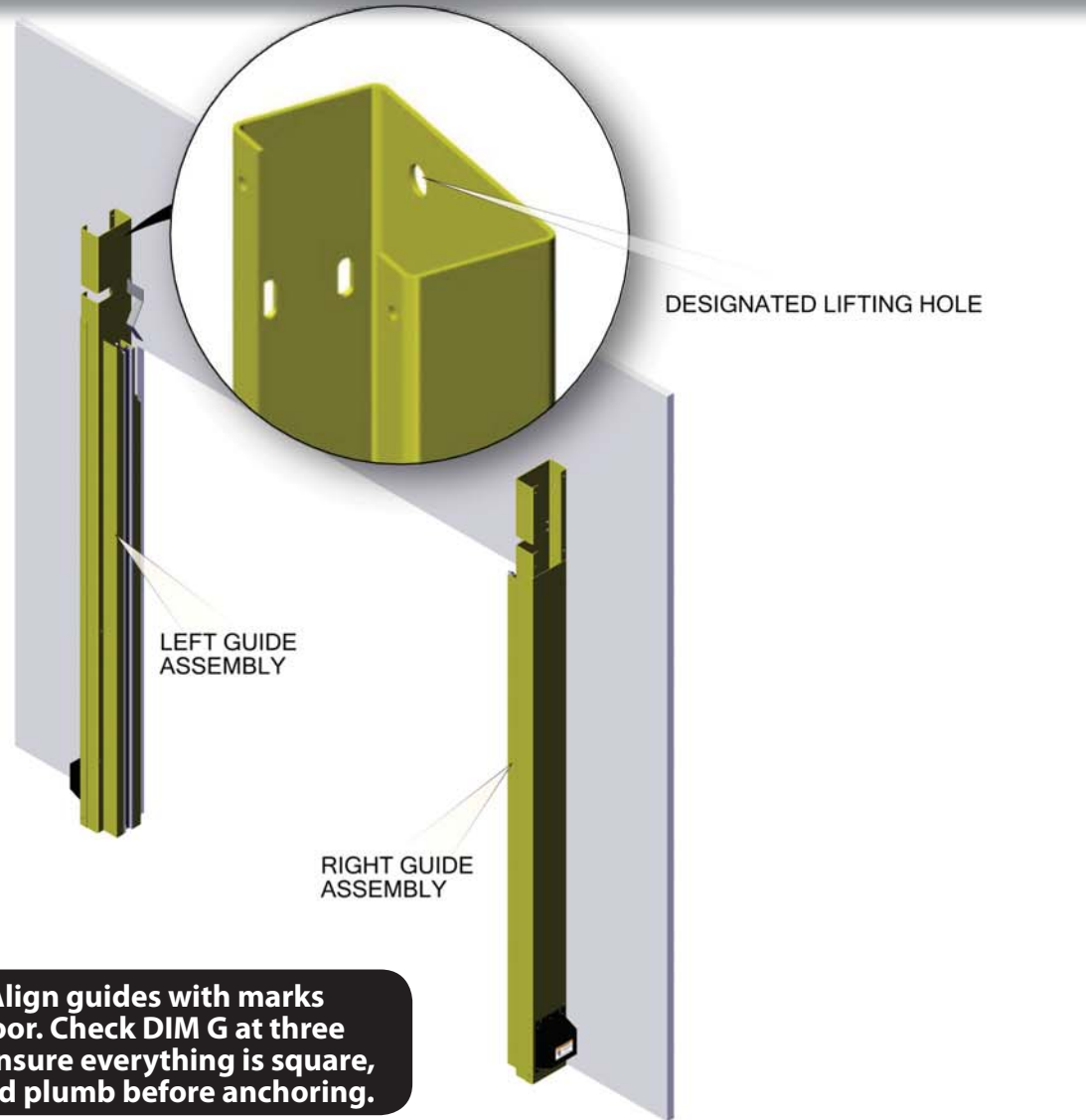
Use designated lifting hole and appropriate lifting equipment to avoid damage, serious injury, or death.



WARNING

Use appropriate lifting equipment to avoid serious injury, or death.

NOTE: Check DIM G at three points. Ensure everything is square, level, and plumb before and after anchoring. Extra time spent at this point of the installation may prevent time consuming rework.



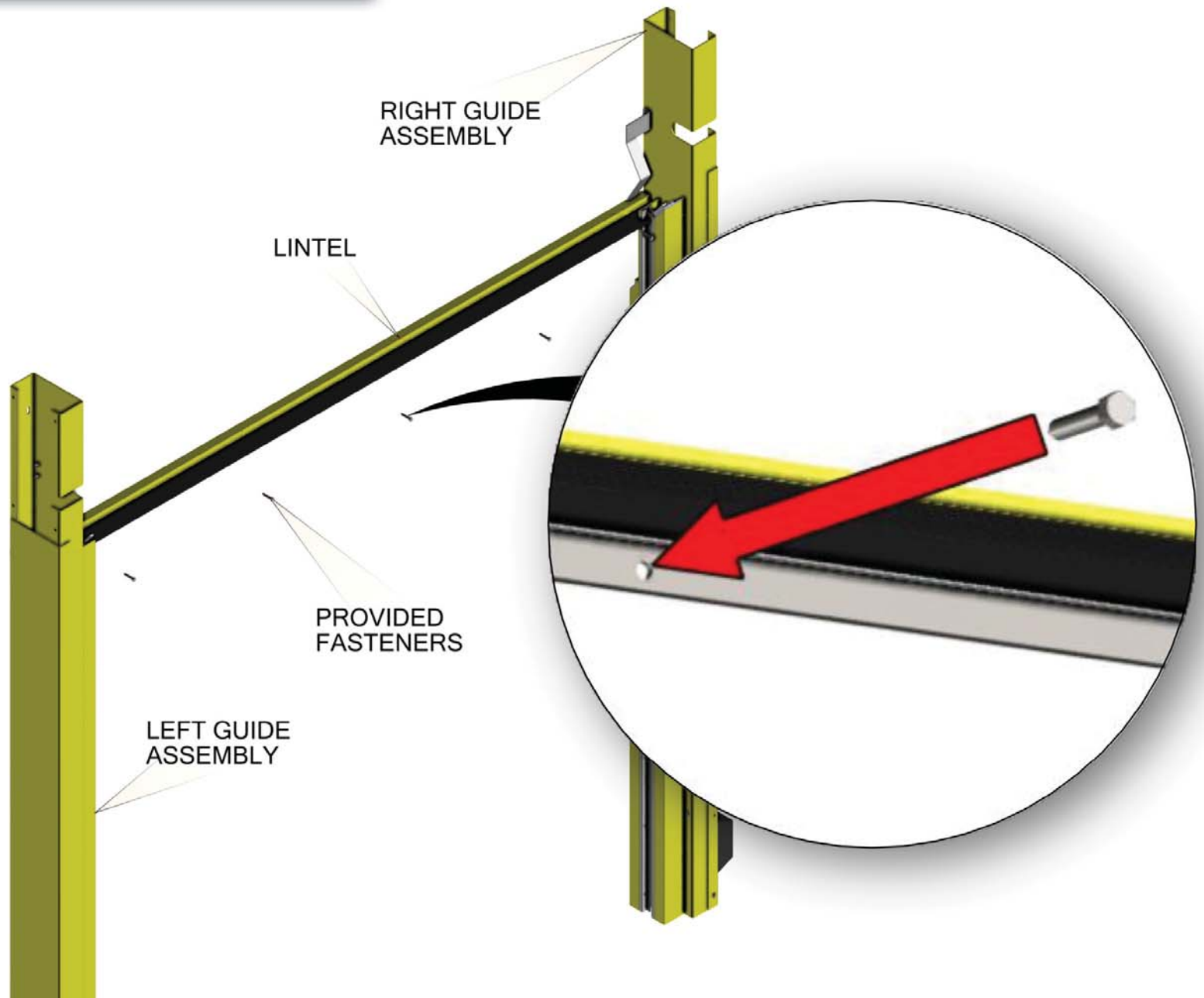
SECTION 2 - INSTALLATION

LINTEL INSTALLATION



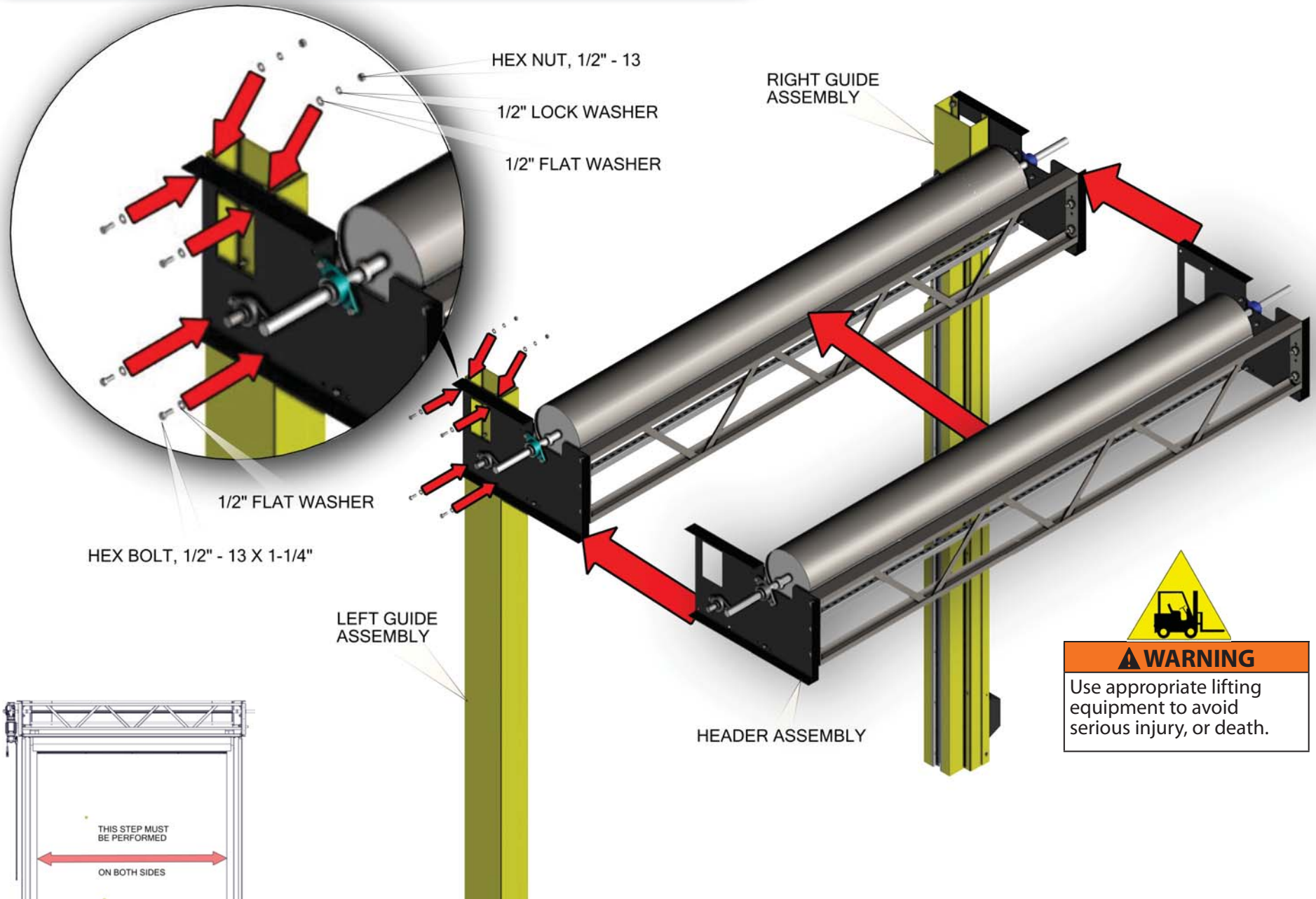
CAUTION

Team lift to avoid injury.



SECTION 2 - INSTALLATION

HEADER ASSEMBLY INSTALLATION



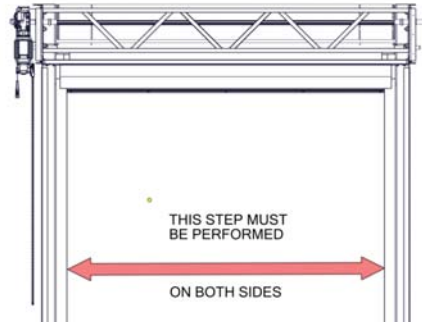
SECTION 2 - INSTALLATION

AIR CURTAIN INSTALLATION



WARNING

Use appropriate lifting equipment to avoid serious injury, or death.



FOR OPENING HEIGHT LESS THAN OR EQUAL TO 12' OPENING HEIGHT

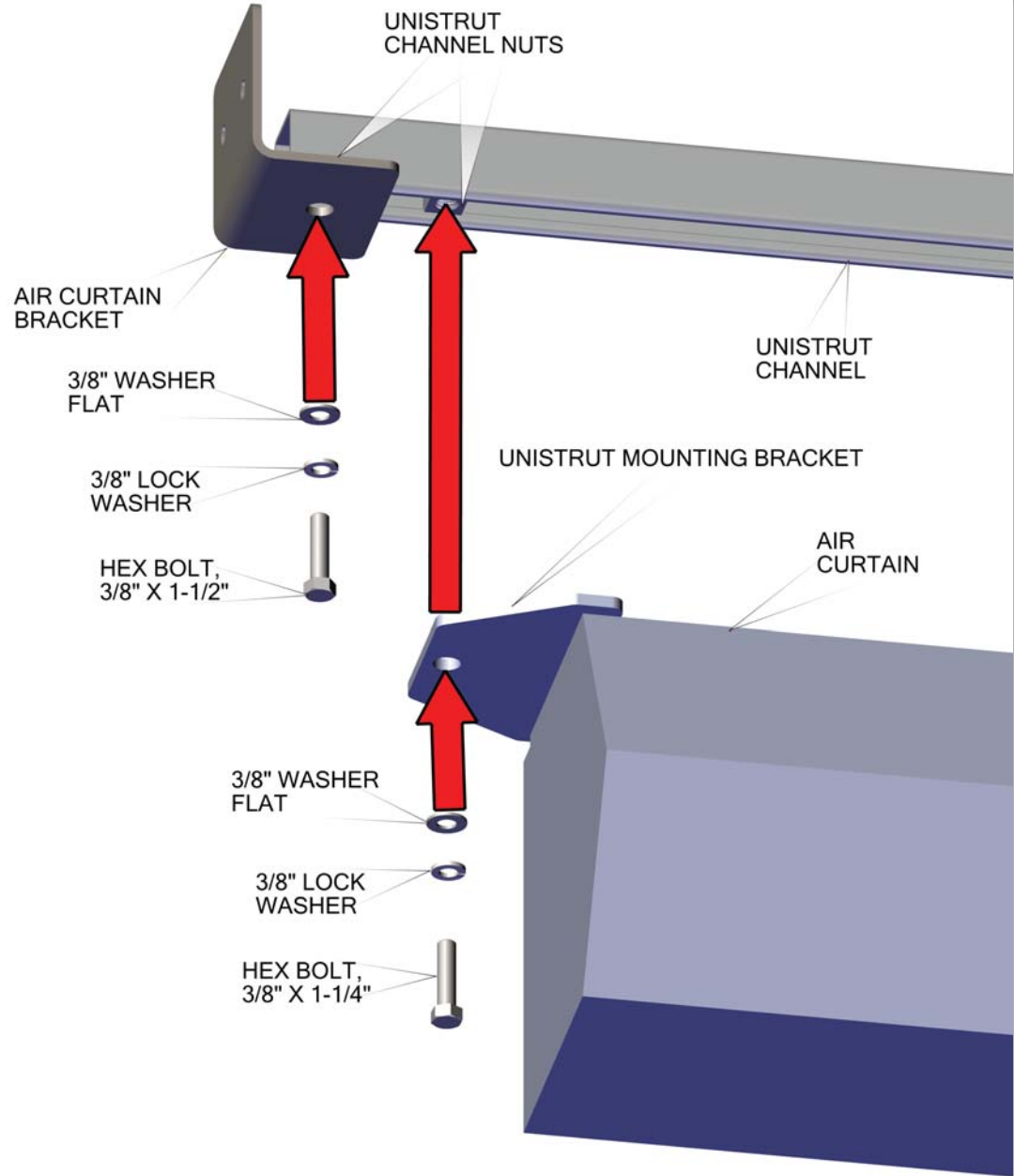
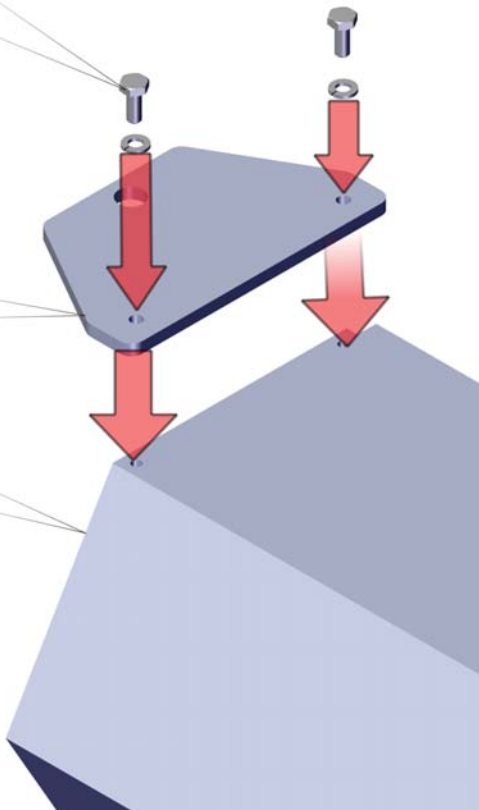
HEX BOLT, #10-24 X 3/4"
1/4" LOCK WASHER

FOR OPENING HEIGHT GREATER THAN 12' OPENING HEIGHT

HEX BOLT, 3/8"-16 X 3/4"
3/8" LOCK WASHER

UNISTRUT MOUNTING BRACKET

AIR CURTAIN



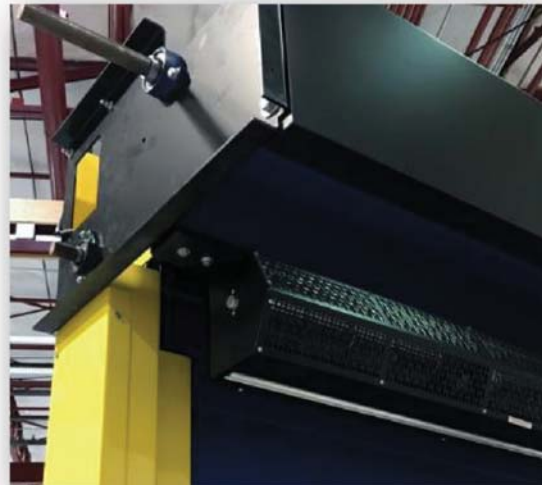
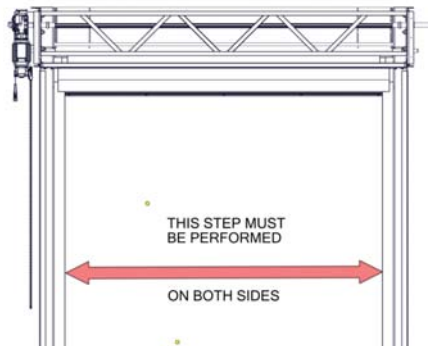
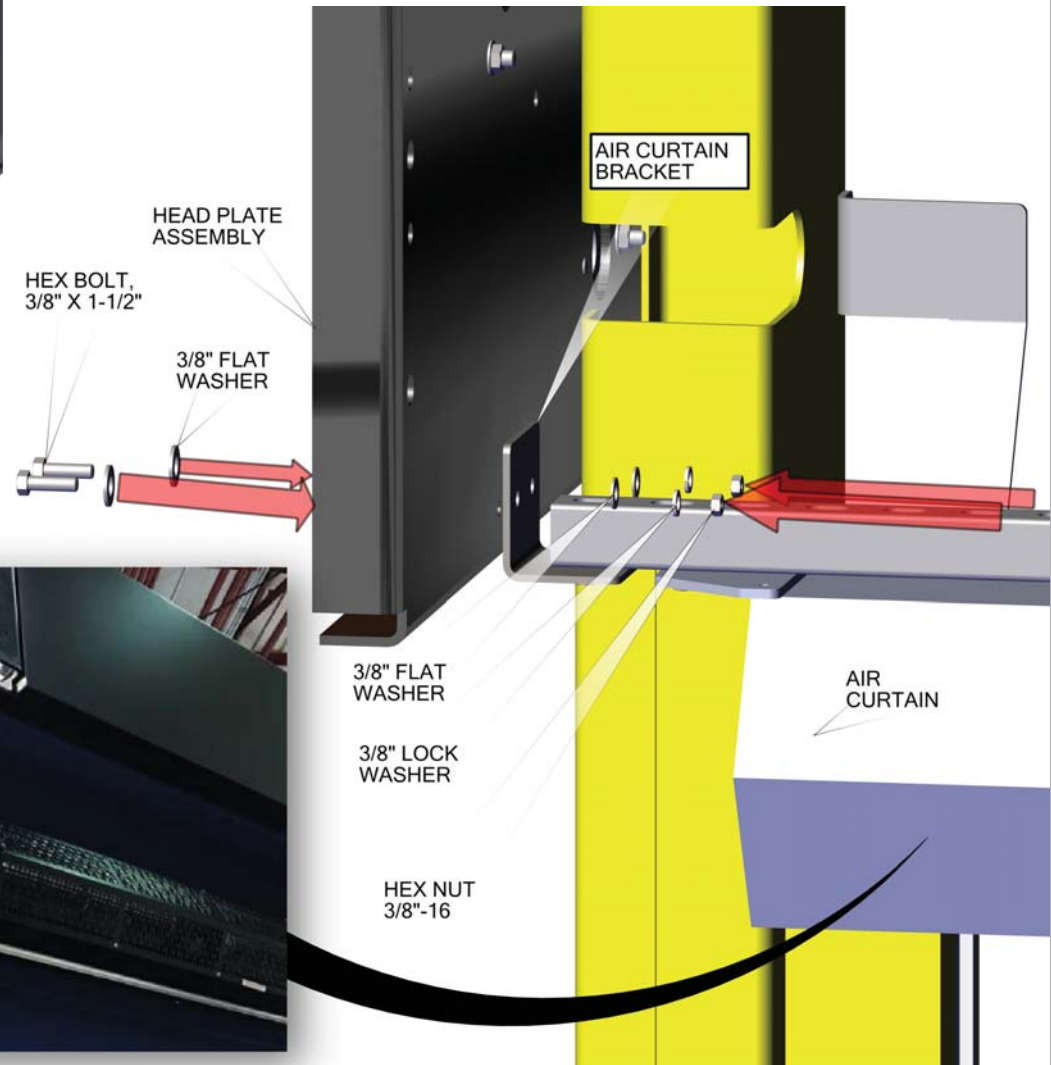
SECTION 2 - INSTALLATION

AIR CURTAIN INSTALLATION



WARNING

Use appropriate lifting equipment to avoid serious injury, or death.



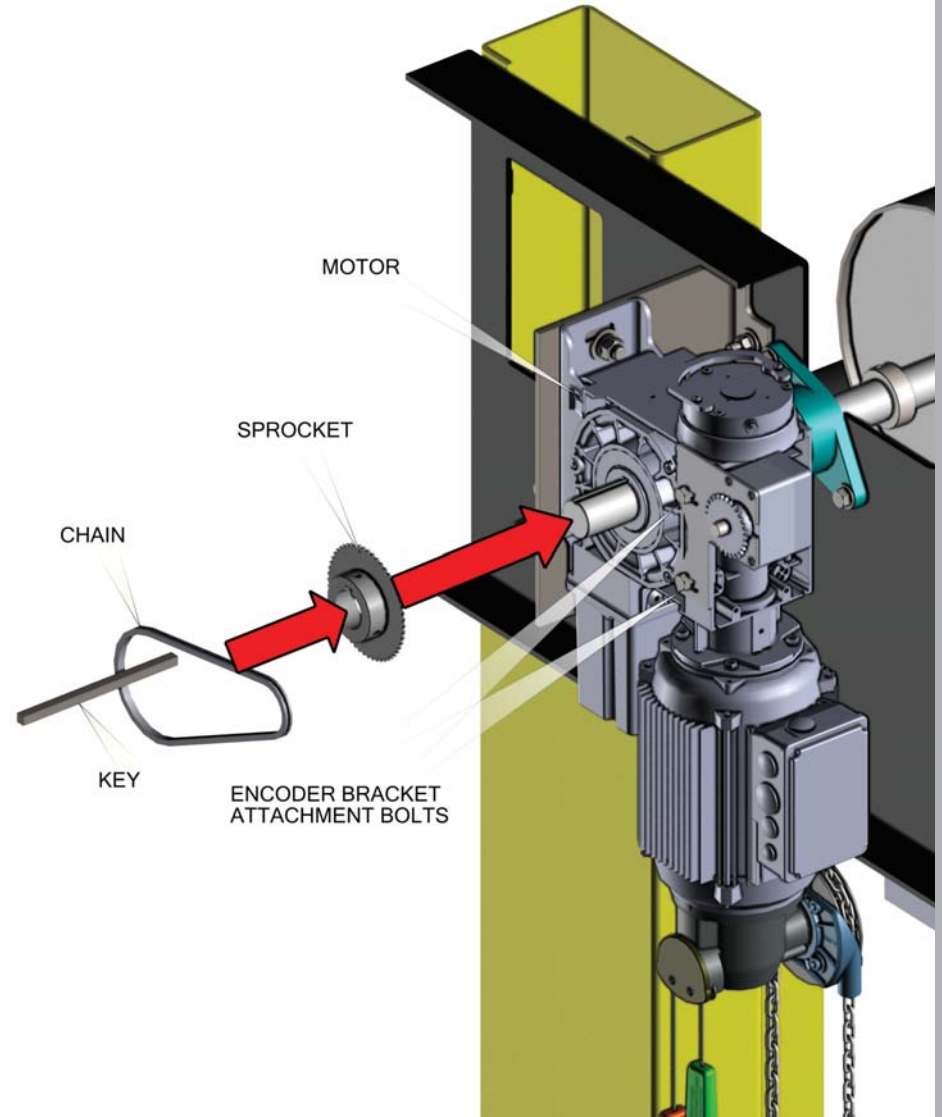
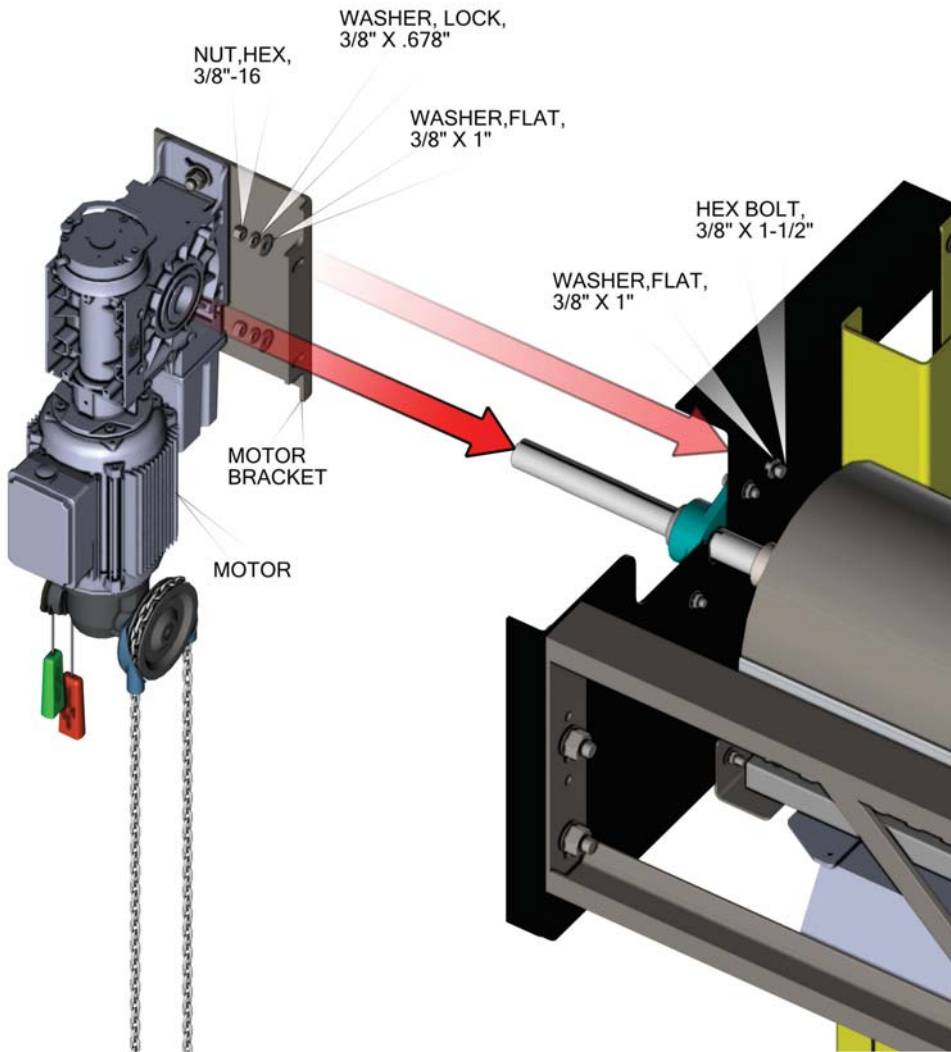
NOTE: When installing the air curtain, ensure the discharge nozzles are pointed towards the center of the curtain.
NOTE: Ensure the unistrut is centered between the head plates.

SECTION 2 - INSTALLATION

MOTOR INSTALLATION

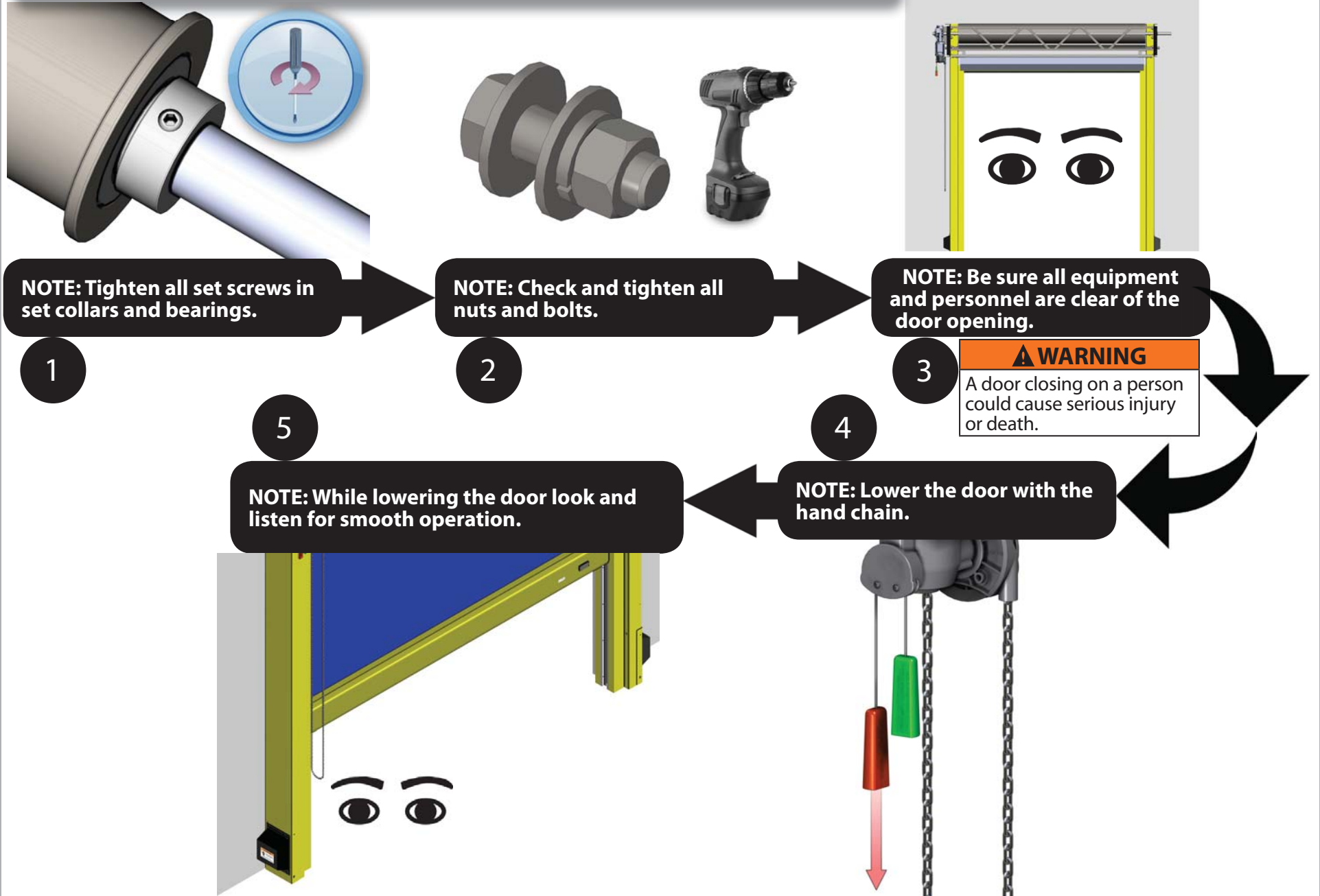


CAUTION
Team lift to avoid injury.



SECTION 3 - FIRST MANUAL DOOR OPERATION

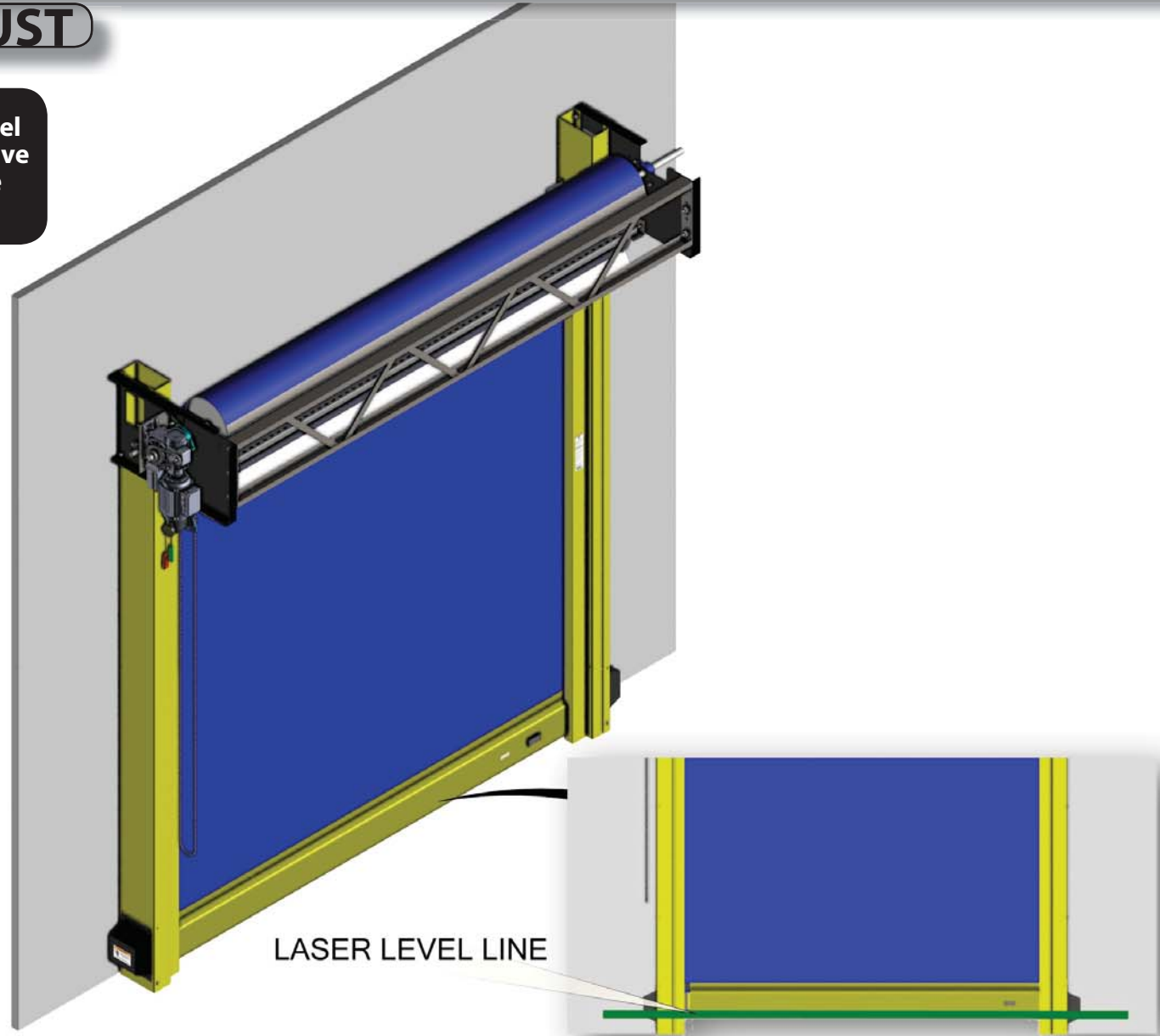
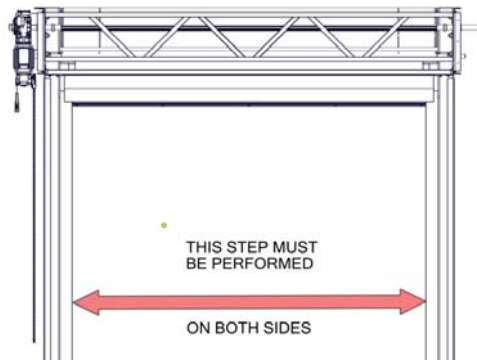
CHECKLIST AND MANUAL DOOR LOWERING



SECTION 3 - FIRST MANUAL DOOR OPERATION

CHECK AND ADJUST

NOTE: Check that the curtain is level using a laser level. If you do not have a laser you can use a tape measure on both sides to ensure level.



CAUTION

A level curtain is critical for proper operation of the door. Continuing to use a door with an improperly leveled curtain could cause serious damage to the product.

SECTION 4 - ELECTRONICS

INSTALL ELECTRONIC COMPONENTS

NOTE: Install the junction box near the motor using fasteners appropriate for your jamb material.

JUNCTION
BOX

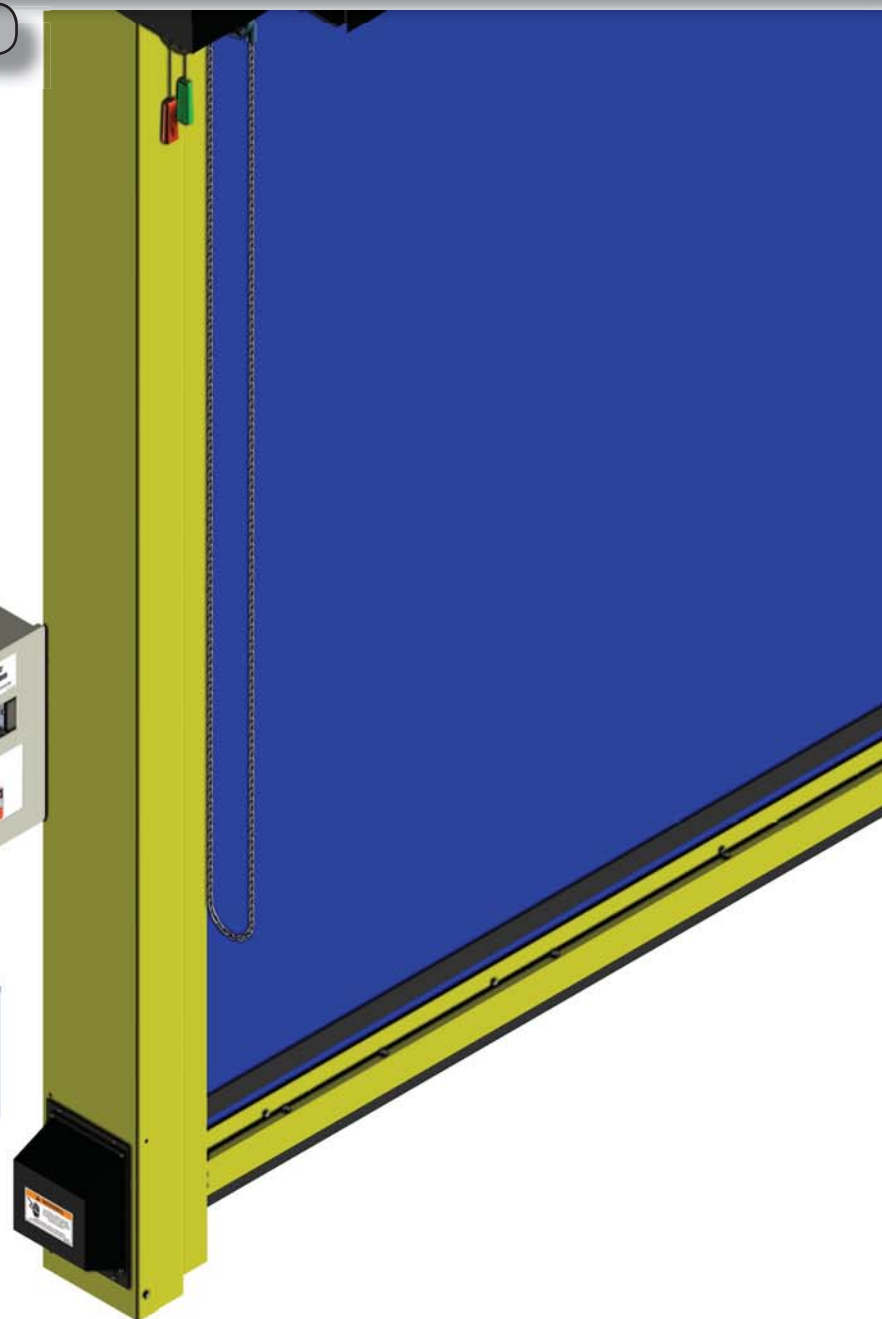
NOTE: Install control panel at eye level on the motor side using fasteners appropriate for your jamb material. Mounting holes are located inside the panel.

CONTROL
PANEL

NOTE: Refer to the electronics manual for your VFD motor and control panel 364641. Follow all instructions and warnings.

TRANSFORMER

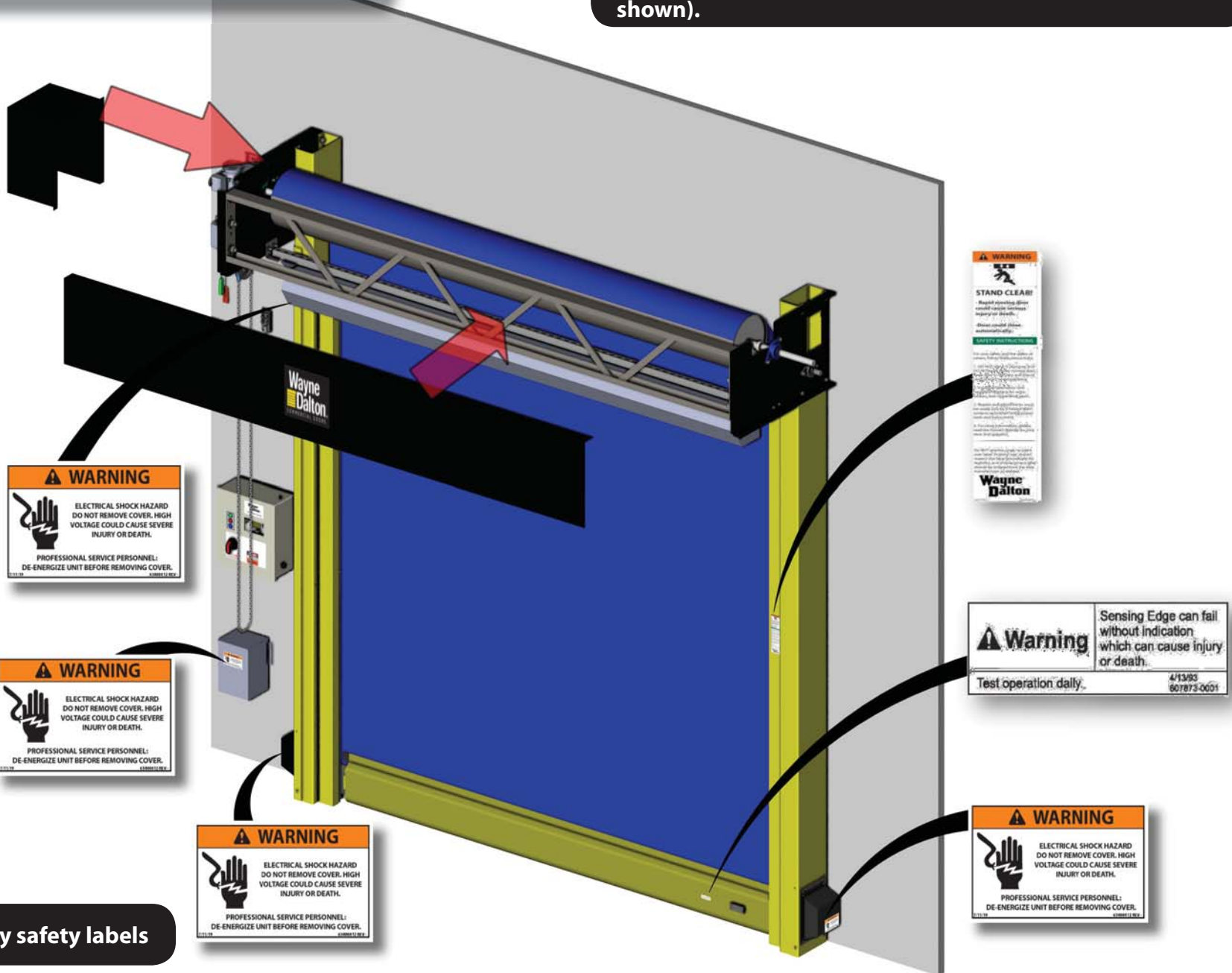
NOTE: Install the transformer box below the control panel using fasteners appropriate for your jamb material.



SECTION 5 - FINAL INSTALLATION STEPS

INSTALL FINAL ITEMS

NOTE: Install covers and hood (some non-standard items shown).



NOTE: Apply safety labels



ADV-X High Speed Fabric and Rubber Doors Models 880, 881, 882, 883, 884, 885, and 887

Limited Warranty

Wayne Dalton ("Seller") warrants to the original purchaser of the high speed fabric and rubber door models 880 ADV-X, 881 ADV-X, 882 ADV-X, 883 ADV-X, 884 ADV-X, and 885 ADV-X ("Product"), subject to all of the terms and conditions hereof, that the Product and all components thereof will be free from defects in materials and workmanship under normal use for the following period, measured from the date of installation:

- For Models 881 ADV-X, 882 ADV-X, 883 ADV-X, 884 ADV-X, 885, and 887 ADV-X, Seller warrants all mechanical door system components and the control panel hardware for a period of 60 MONTHS
- For Model 880 ADV-X, Seller warrants the drive motor and gearbox system for a period of 60 MONTHS and Seller warrants all other components for a period of 12 MONTHS

Seller's obligation under this warranty is specifically limited to repairing or replacing, at its option, any part which is determined by Seller to be defective during the applicable warranty period. Repair or replacement labor for any defective Product part or component is included for a period of one (1) year from the date of installation. After that, any labor charges are excluded and will be the responsibility of the purchaser.

This warranty is made to the original purchaser of the Product only, and is not transferable or assignable. This warranty does not apply to any unauthorized alteration or repair of the Product, or to any Product or component which has been damaged or deteriorated due to misuse (including used of interior rated products in exterior applications), neglect, accident, failure to provide necessary maintenance, normal wear and tear, or acts of God or any other cause beyond the reasonable control of Seller. This warranty does not cover replacement batteries or apply to any damage or deterioration caused by door fabric and/or rubber curtain rubbing together as the door rolls up upon itself, or caused by exposure to salt water, chemical fumes or other corrosive or aggressive environments, whether naturally occurring or man-made, including, but not limited to, environments with a high degree of humidity, sand, dirt or grease.

THIS WARRANTY IS EXCLUSIVE AND IN LIEU OF ANY OTHER WARRANTIES, EITHER EXPRESS OR IMPLIED, INCLUDING BUT NOT LIMITED TO ANY IMPLIED WARRANTY OF MERCHANTABILITY OR FITNESS FOR A PARTICULAR PURPOSE.

IN NO EVENT SHALL SELLER BE RESPONSIBLE FOR, OR LIABLE TO ANYONE FOR, SPECIAL, INDIRECT, COLLATERAL, PUNITIVE, INCIDENTAL OR CONSEQUENTIAL DAMAGES, even if Seller has been advised of the possibility of such damages. Such excluded damages include, but are not limited to, loss of goodwill, loss of profits, loss of use, cost of any substitute product, interruption of business, or other similar indirect financial loss.

Claims under this warranty must be made promptly after discovery, within the applicable warranty period, and in writing to the Seller or to the authorized distributor or installer whose name and address appear below. The purchaser must allow Seller a reasonable opportunity to inspect any Product claimed to be defective prior to removal or any alteration of its condition. Proof of the purchase and/or installation date, and identification as the original purchaser, may be required.

DOOR MODEL: _____

ORIGINAL PURCHASER: _____

INSTALLATION ADDRESS: _____

DEALER: _____

DEALER'S ADDRESS: _____

FACTORY ORDER #: _____

DATE OF INSTALLATION: _____

SIGNATURE OF DEALER: _____

©2018 Wayne Dalton, a division of Overhead Door Corporation

Rev. 06.2019