

## BELT REPLACEMENT INSTRUCTIONS FOR DOOR MODELS 888 AND 889



This installation manual provides the trained door technician information required to replace the belts.  
**READ COMPLETE INSTRUCTIONS BEFORE PROCEEDING WITH REPAIR.**

Refer to the your Door Installation Instructions for additional safety warnings and precautions. Manual may also be used as a reference for any items that are not addressed by this document.  
Installation Manuals can be accessed at <https://www.Wayne-Dalton.com/Documents>.

**This manual is intended ONLY for professional use by a trained door systems technician.**

- Follow the standard work below when replacing the belts. Failure to do so may result in severe or fatal injury.
- Refer to your Door Installation Instructions for additional safety warnings and precautions. Manual may also be used as a reference for any items that are not addressed by this document.

### **⚠ WARNING**

These Doors are large, heavy objects that move. Since moving objects can cause injuries, your safety and the safety of others depends on you reading the information in this manual. If you have any questions or do NOT understand the information presented, call technical support at 1-800-764-1457 (Option 2).

In this section and those that follow, the words "**DANGER**", "**WARNING**", and "**CAUTION**" are used to stress important safety information. The word:

**⚠ DANGER** indicates an imminently hazardous situation which, if not avoided, is likely to result in death or serious injury.

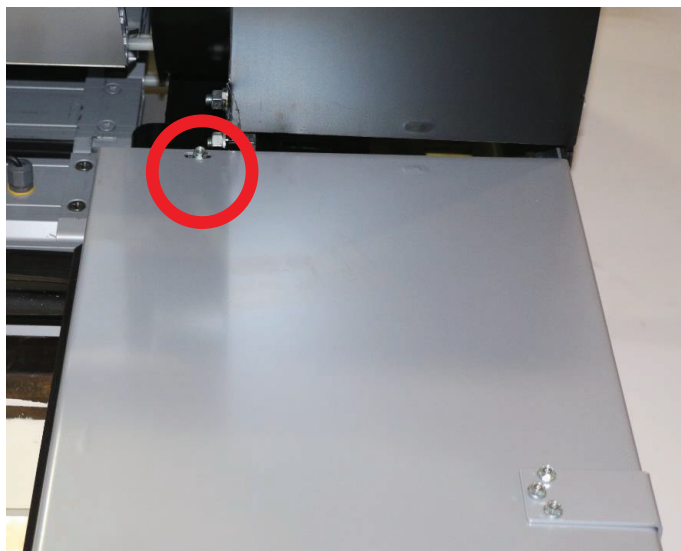
**⚠ WARNING** indicates a potentially hazardous situation which, if not avoided, could result in death or serious injury.

**⚠ CAUTION** indicates a potentially hazardous situation which, if not avoided, may result in injury or property damage.

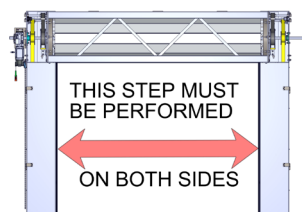
The word **NOTE** is used to indicate important steps to be followed or important considerations.

1. With the door in the fully closed position, remove the bolts that hold the guide covers in place. Set bolts aside in a safe place and open guides, as shown in **FIG 1.0**.

**NOTE:** Guide covers swing open on hinges, or can be lifted off hinge pins and removed to ease installation.



**FIG 1.0**

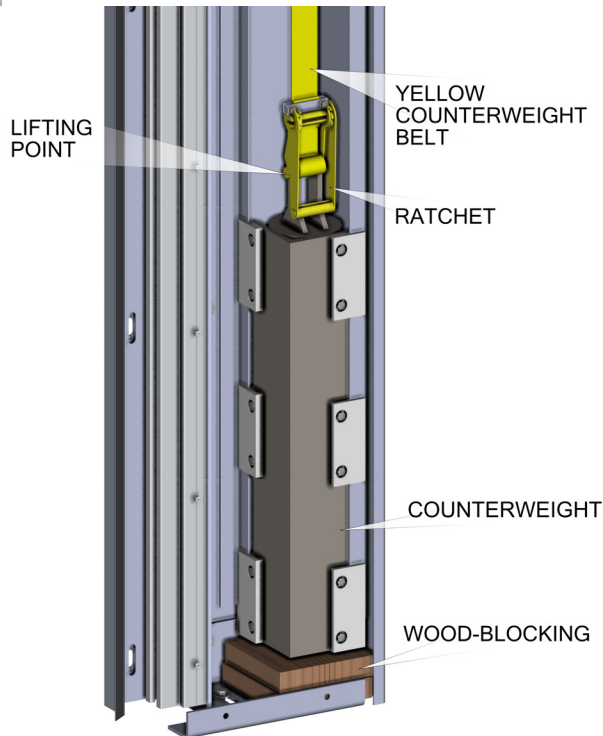


2. Place wood blocking under the counterweights and position the door in the full open position, as shown in **FIG 2.0**.

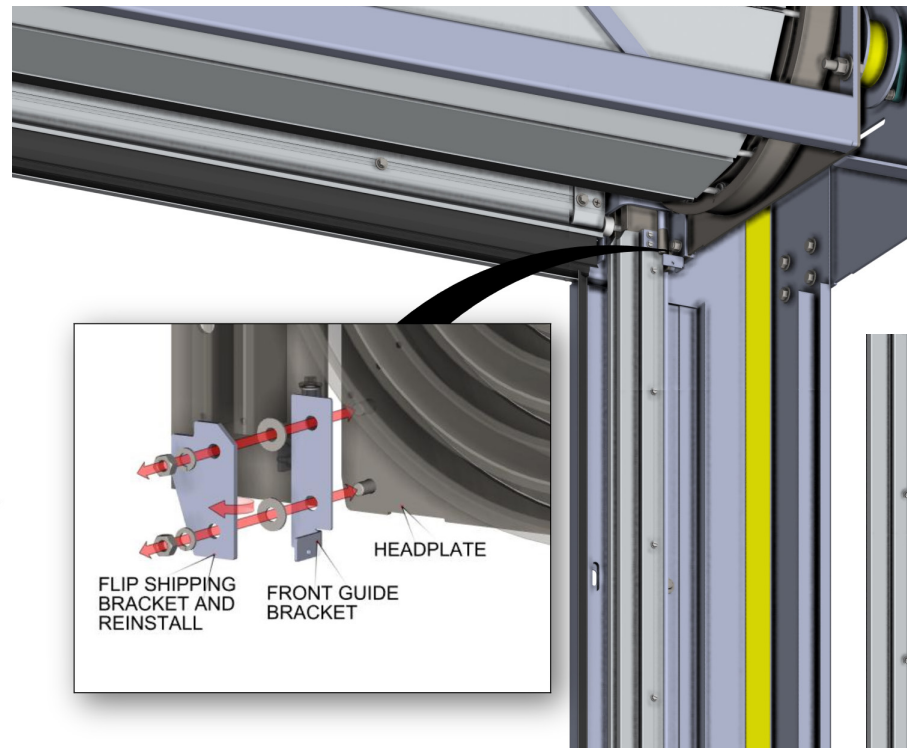
## ⚠ WARNING

LINE POWER should **DE-ENERGIZED** at this time. In the following steps electrical components will be physically removed and new components mounted. Ensure that all incoming power supplies have been de-energized prior to beginning work on attachment of electrical control systems. Use proper Lock Out/Tag Out procedures. Do NOT connect components to electrical supply until directed to do so. Failure to follow this warning could result in serious injury or death as well as equipment damage.

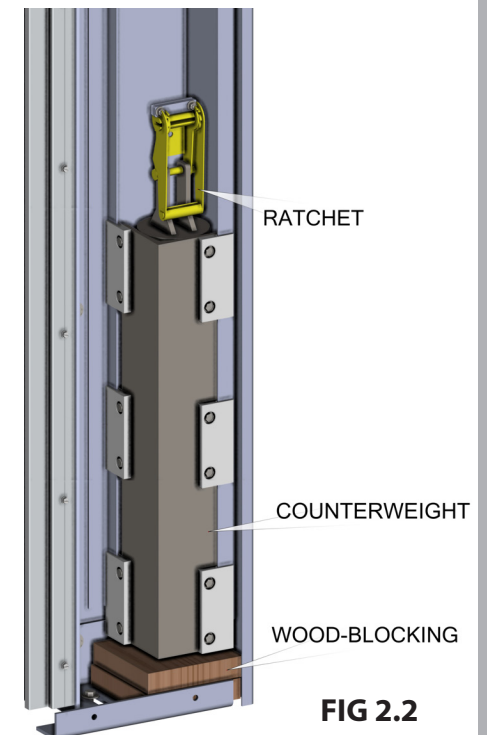
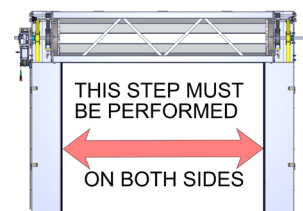
Remove the bolts that fasten the shipping bracket to the headplate. Flip the shipping bracket and reinstall the shipping bracket to the headplate, as shown in **FIG 2.1**. Loosen and remove the yellow counterbalance belt from the ratchet, as shown in **FIG 2.2**.



**FIG 2.0**



**FIG 2.1**



**FIG 2.2**

**3.** Remove the yellow counterbalance belt from the pulley and spool. Discard old counterbalance yellow belt. Loosen and remove the grey drive belt from the ratchet. Remove the grey drive belt from the pulley and spool. Discard old grey belt.

**3A.** Install new grey drive belt onto the pulley and spool, as shown in **FIG 3.0**.

**IMPORTANT:** THE GREY DRIVE BELT IS FED OVERHAND.

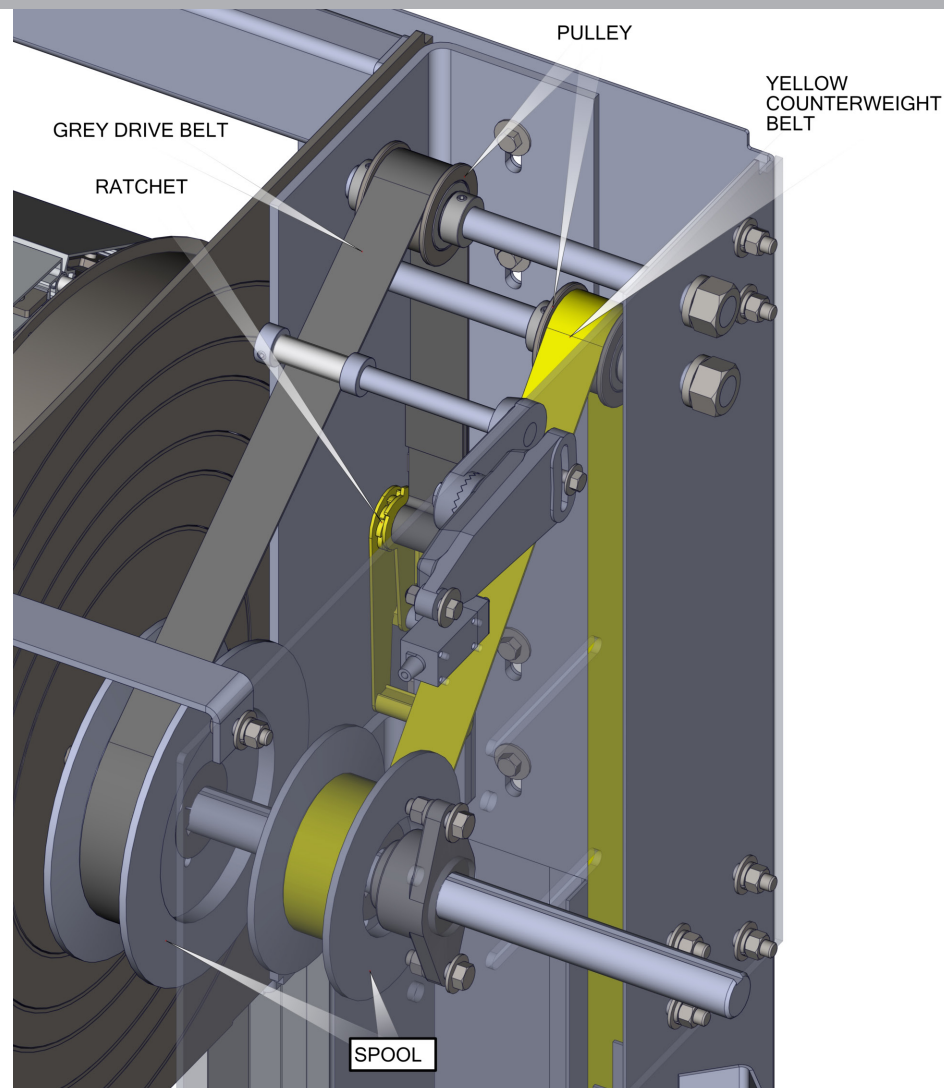
**3A.** Install new yellow counterbalance belt onto the pulley and spool, as shown in **FIG 3.0**.

**IMPORTANT:** THE YELLOW COUNTERBALANCE BELT IS FED UNDERHAND.

**3B.** Refer to your door installation instructions and re-install the counterweights. Using the ratchets, tighten both belts. Be sure they are tight and properly aligned. Remove the bolts that fasten the shipping bracket to the headplate. Flip the shipping bracket and re-install the shipping bracket to the headplate, as shown in **FIG 2.1**. Position the door at the closed position and remove the wood blocking under the counterweights, as shown in **FIG 2.0**.

RE-ENERGIZED the power to the power supply. Cycle door a few times. Level curtain by adjusting the belts. Cycle door a couple more times. Adjust belt tension and the tension sensor, as needed.

Close or re-attach the guide covers, as shown in **FIG 1.0**.



**FIG 3.0**

