

# Models 8300 / 8500

EXTENSION

RESIDENTIAL SPRING

LOW HEADROOM

## INSTALLATION INSTRUCTIONS AND OWNER'S MANUAL

### Table Of Contents

<b>Pre-Installation</b>	<b>2</b>
Important Safety Instructions	2
Removing an Existing Door and Preparing the Opening	2
Package Contents	3
Door Section Identification	4
Tools Required	4
<b>Breakdown Of Parts</b>	<b>6</b>
<b>Door Installation Instructions</b>	<b>7</b>
<b>Counterbalance Installation Instructions</b>	<b>14</b>
<b>Optional Installation</b>	<b>18</b>
Trolley Arm Hookup	18
Inside Lock	18
Pull Down Rope	18
<b>Maintenance</b>	<b>19</b>
Cleaning Your Garage Door	19
Painting Your Garage Door	19
Maintaining The Finish On Your Garage Door	19
Operation And Maintenance	19
<b>Warranty</b>	<b>21</b>

### **PLEASE DO NOT RETURN THIS PRODUCT TO THE STORE**

If you need assistance, please call 1-866-569-3799 (press Option 1) and follow the prompts to contact a customer service representative. They will be happy to handle any questions that you may have.

### **IMPORTANT NOTICES!**

To avoid possible injury, read and fully understand the enclosed instructions carefully before installing and operating the garage door. Pay close attention to all warnings and notes. After installation is complete, fasten this manual near garage door for easy reference.

This Installation document is available at no charge from:

- Your local Wayne Dalton Sales Center, or
- Online at [www.Wayne-Dalton.com](http://www.Wayne-Dalton.com), or
- By mailing to: Wayne Dalton, a division of Overhead Door Corporation, P.O. Box 67, Mt. Hope, OH., 44660

## Important Safety Instructions

### DEFINITION OF KEY WORDS USED IN THIS MANUAL:

#### **WARNING**

INDICATES A POTENTIALLY HAZARDOUS SITUATION WHICH, IF NOT AVOIDED, COULD RESULT IN SEVERE OR FATAL INJURY.

#### **CAUTION**

PROPERTY DAMAGE OR INJURY CAN RESULT FROM FAILURE TO FOLLOW INSTRUCTIONS.

**IMPORTANT:** REQUIRED STEP FOR SAFE AND PROPER DOOR OPERATION.

**NOTE:** Information assuring proper installation of the door.

**READ THESE INSTRUCTIONS CAREFULLY BEFORE ATTEMPTING INSTALLATION. IF IN QUESTION ABOUT ANY OF THE PROCEDURES, DO NOT PERFORM THE WORK. INSTEAD, HAVE A TRAINED DOOR SYSTEMS TECHNICIAN DO THE INSTALLATION OR REPAIRS.**

1. READ AND FOLLOW ALL INSTALLATION INSTRUCTIONS.
2. Wear protective gloves during installation to avoid possible cuts from sharp metal edges.
3. It is always recommended to wear eye protection when using tools, otherwise eye injury could result.
4. Avoid installing your new door on windy days. Door could fall during the installation causing severe or fatal injury.
5. Doors 12'-0" wide and over should be installed by two persons, to avoid possible injury.
6. Operate door only when it is properly adjusted and free from obstructions.
7. If a door becomes hard to operate, inoperative or is damaged, immediately have necessary adjustments and/ or repairs made by a trained door system technician using proper tools and instructions.
8. DO NOT stand or walk under a moving door, or permit anybody to stand or walk under an electrically operated door.
9. DO NOT place fingers or hands into open section joints when closing a door. Use lift handles/ gripping points when operating door manually.
10. DO NOT permit children to operate garage door or door controls. Severe or fatal injury could result should the child become entrapped between the door and the floor.
11. Due to constant extreme spring tension, do not attempt any adjustment, repair or alteration to any part of the door, especially to springs, spring brackets, bottom corner brackets, fasteners, counterbalance lift cables or supports. To avoid possible severe or fatal injury, have any such work performed by a trained door systems technician using proper tools and instructions.
12. On electrically operated doors, pull down ropes must be removed and locks must be removed or made inoperative in the open (unlocked) position.
13. Top section of door may need to be reinforced when attaching an electric opener. Check door and/ or opener manufacturer's instructions.
14. Visually inspect door and hardware monthly for worn and or broken parts. Check to ensure door operates freely.
15. Test electric opener's safety features monthly, following opener manufacturer's instructions.
16. NEVER hang tools, bicycles, hoses, clothing or anything else from horizontal tracks. Track systems are not intended or designed to support extra weight.
17. This door may not meet the building code wind load requirements in your area. For your safety, you will need to check with your local building official for wind load code requirements and building permit information.
18. For windloaded doors, the wind performance is achieved via the entire door system and component substitution is not authorized without express permission by Wayne Dalton.

**NOTE:** It is recommended that 5/16" lag screws are pilot drilled using a 3/16" drill bit, prior to fastening.



#### **CAUTION**

IF ANY PART OF THE DOOR IS TO BE INSTALLED ONTO PRESERVATIVE-TREATED WOOD, PTFE-COATED OR STAINLESS STEEL FASTENERS MUST BE OBTAINED AND USED. REPLACEMENT FASTENERS MUST BE OF AT LEAST EQUAL STRENGTH AND SIZE AS ORIGINAL FASTENERS. IF THE ORIGINAL FASTENER WAS RED-HEAD, THE REPLACEMENT FASTENER MUST BE RED-HEAD ALSO. CONTACT WAYNE DALTON FOR FASTENER STRENGTH VALUES IF NEEDED.

#### **WARNING**

**IMPACT GUNS ARE NOT RECOMMENDED. WHEN INSTALLING 5/16" LAG SCREWS USING AN ELECTRIC DRILL/ DRIVER, THE DRILL/ DRIVERS CLUTCH MUST BE SET TO DELIVER NO MORE THAN 200 IN-LBS OF TORQUE. FASTENER FAILURE COULD OCCUR AT HIGHER SETTINGS.**

**IMPORTANT:** RIGHT AND LEFT HAND IS DETERMINED INSIDE THE BUILDING LOOKING OUT.

Potential Hazard	Effect	Prevention
 <p>Moving door</p>	<p><b>WARNING</b></p> <p>Could result in Death or Serious Injury</p>	<p>Keep people clear of opening while Door is moving.</p> <p>Do <b>NOT</b> allow children to play with the Door Opener.</p> <p>Do <b>NOT</b> operate a Door that jams or one that has a broken spring.</p>
 <p>High tension spring</p>	<p><b>WARNING</b></p> <p>Could result in Death or Serious Injury</p>	<p>Do <b>NOT</b> try to remove, install, repair or adjust springs or anything to which door spring parts are fastened, such as, wood blocks, steel brackets, cables or other like items.</p> <p>Installations, repairs and adjustments must be done by a trained door system technician using proper tools and instructions.</p>

## Removing an Existing Door and Preparing the Opening

**IMPORTANT:** COUNTERBALANCE SPRING TENSION MUST ALWAYS BE RELEASED BEFORE ANY ATTEMPT IS MADE TO START REMOVING AN EXISTING DOOR.

#### **WARNING**

**A POWERFUL SPRING RELEASING ITS ENERGY SUDDENLY CAN CAUSE SEVERE OR FATAL INJURY. TO AVOID INJURY, HAVE A TRAINED DOOR SYSTEMS TECHNICIAN, USING PROPER TOOLS AND INSTRUCTIONS, RELEASE THE SPRING TENSION.**

To avoid possible injury and to insure proper installation, it's highly recommended that you read and fully understand the complete instructions on removing an Existing Door & Preparing the Opening. These are available for download at [www.Wayne-Dalton.com](http://www.Wayne-Dalton.com) or at your local Wayne Dalton Sales Center.

**IMPORTANT:** IF YOU JUST REMOVED YOUR EXISTING DOOR OR YOU ARE INSTALLING A NEW DOOR, COMPLETE ALL STEPS IN PREPARING THE OPENING.

To ensure secure mounting of track brackets, side and center brackets, or steel angles to new or retro-fit construction, it is recommended to follow the procedures outlined in DASMA technical data sheets #156, #161 and #164 at [www.dasma.com](http://www.dasma.com).

The inside perimeter of your garage door opening should be framed with wood jamb and header material. The jambs and header must be securely fastened to sound framing members. It is recommended that 2" x 6" lumber be used. The jambs must be plumb and the header level. The jambs should extend a minimum of 12" (305 mm) above the top of the opening for TorqueMaster® counterbalance systems. For low headroom applications, the jambs should extend to the ceiling height. Minimum side clearance required, from the opening to the wall, is 3-1/2" (89 mm).

**IMPORTANT:** CLOSELY INSPECT JAMBS, HEADER AND MOUNTING SURFACE. ANY WOOD FOUND NOT TO BE SOUND, MUST BE REPLACED.

For TorqueMaster® counterbalance systems, a suitable mounting surface (2" x 6") must be firmly attached to the wall, above the header at the center of the opening.

**NOTE:** Drill a 3/16" pilot hole in the mounting surface to avoid splitting the lumber. Do not attach the mounting surface with nails.

**WEATHERSTRIPS (MAY NOT BE INCLUDED):**

Depending on the size of your door, you may have to cut or trim the weatherstrips (if necessary) to properly fit into the header and jambs.

**NOTE:** If nailing product at 40°F or below, pre-drilling is required.

**NOTE:** Do not permanently attach weatherstrips to the header and jambs at this time.

**FOR QUICK INSTALL TRACK:** For the header, align the weatherstrip with the inside edge of the header and temporarily secure it to the header with equally spaced nails. Starting at either side of the jamb, fit the weatherstrip up tight against the temporarily attached weatherstrip in the header and flush with the inside edge of the jamb. Temporarily secure the weatherstrip with equally spaced nails. Repeat for other side. This will keep the bottom section from falling out of the opening during installation. Equally space nails approximately 12" to 18" apart.

**FOR FULLY ADJUSTABLE TRACK:** For the header, align the weatherstrip 1/8" to 1/4" inside the header edge, and temporarily secure it to the header with equally spaced nails. Starting at either side of the jamb, fit the weatherstrip up tight against the temporarily attached weatherstrip in the header and 1/8" to 1/4" inside the jamb edge. Temporarily secure the weatherstrip with equally spaced nails. Repeat for other side. This will keep the bottom section from falling out of the opening during installation. Equally space nails approximately 12" to 18" apart.

**HEADROOM REQUIREMENT:** Headroom is defined as the space needed above the top of the door for tracks, springs, etc. to allow the door to open properly. If the door is to be motor operated, 2-1/2" (64 mm) of additional headroom is required.

**NOTE:** 6" low headroom conversion kit is available for 12" radius only. Contact your local Wayne Dalton dealer.

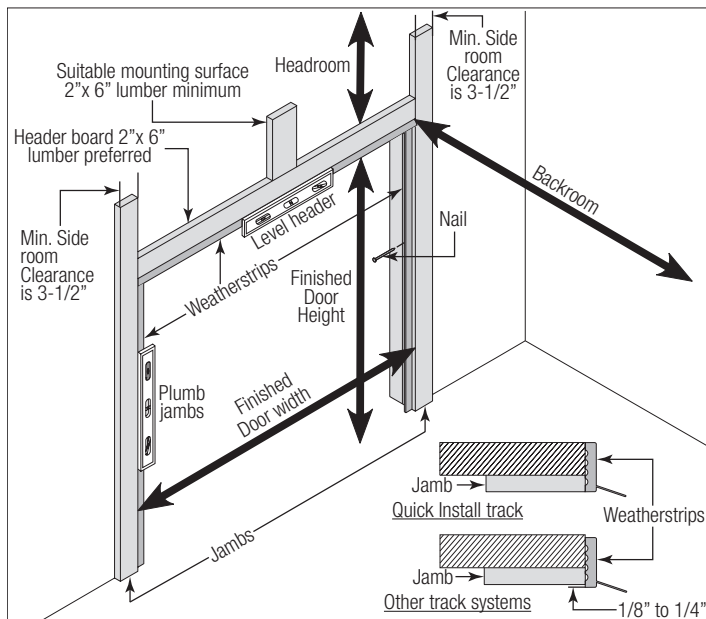
**BACKROOM REQUIREMENT:** Backroom is defined as the distance needed from the opening back into the garage to allow the door to open fully.

**BACKROOM REQUIREMENTS**

Door Height	Track	Manual Lift	Motor Operated
6'0" to 7'0"	6" Low Headroom	103-1/2" (2629 mm)	125" (3175 mm)
7'1" to 8'0"		115-1/2" (2934 mm)	137" (3480 mm)

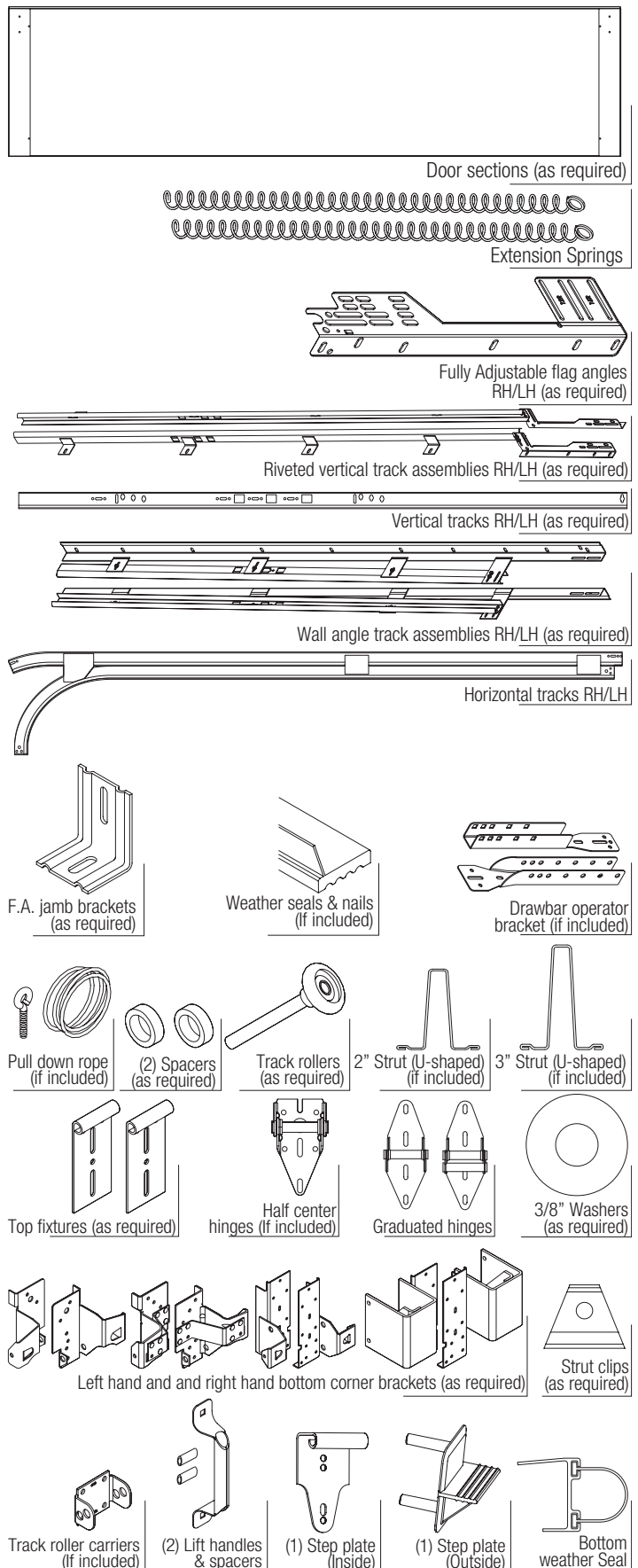
**HEADROOM REQUIREMENTS**

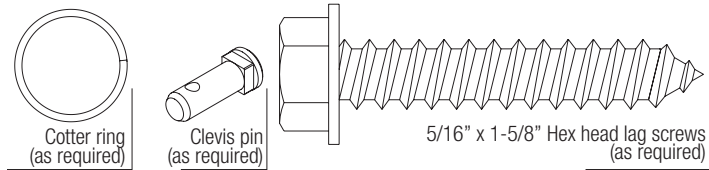
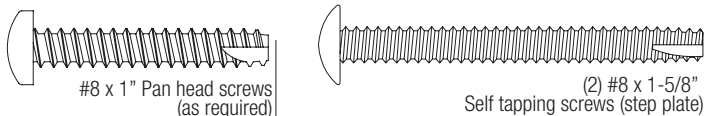
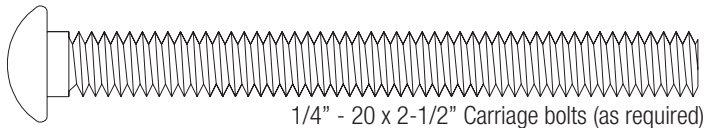
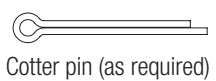
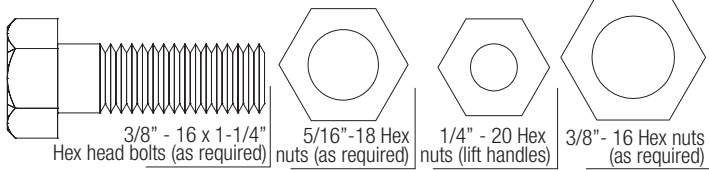
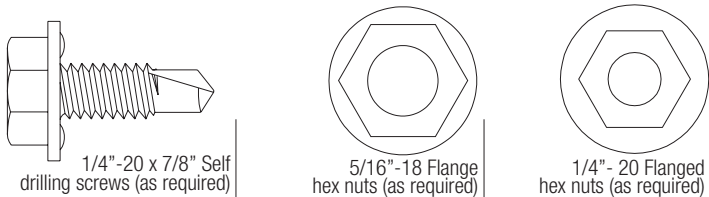
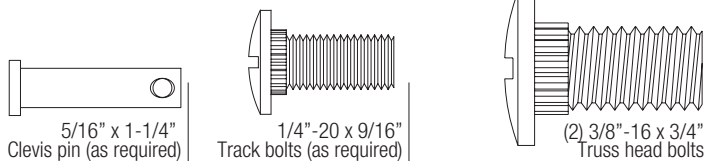
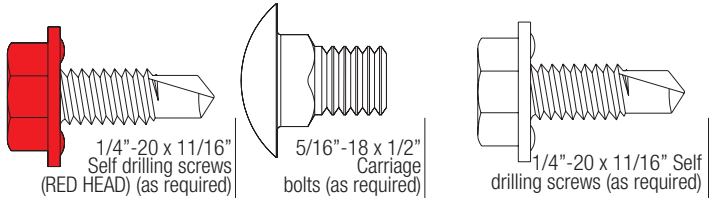
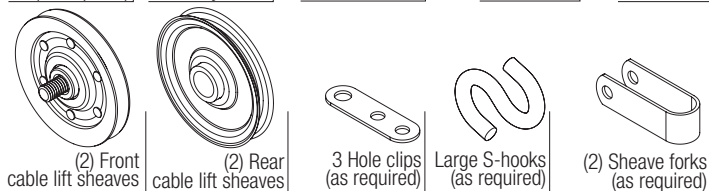
Track Type	Space Needed
6" Low Headroom	8-1/2" (216 mm)



**Package Contents**

**NOTE:** Depending on the door model, some parts listed will not be supplied if not required. Rear Back Hangs may not be included with your door.





Section Quantity 3 and 4					
Door Height	Type Of Sections				
	Bottom	Lock	Intermediate(s) Section		Top
6'0"			24"	Not Available	
6'0"	18"				
6'3"	21"	18"			
6'6"	21"	18"			21"
6'9"	21"	18"			21"
7'0"	21"				
7'3"	24"	21"			
7'3"	21"				24"
7'6"	24"	21"			24"
7'9"	24"				21"
7'9"	24"	21"			24"
8'0"	24"				

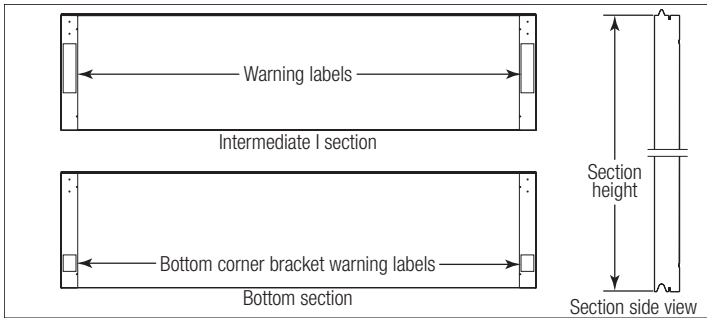
Section Quantity 5					
Door Height	Type Of Sections				
	Bottom	Lock	Intermediate Sections		Top
7'6"			18"		
7'9"	21"	18"			
8'0"	21"	18"			21"

When installing your door you must use sections of the appropriate height in the right stacking order. What sections heights you need to use in what order depends on the height of your door.

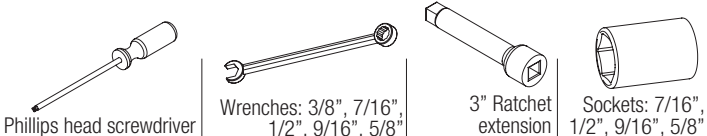
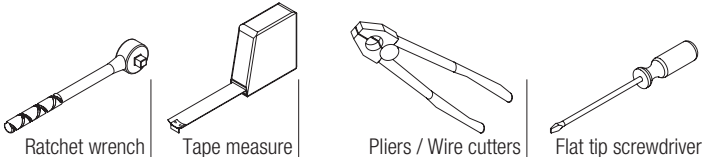
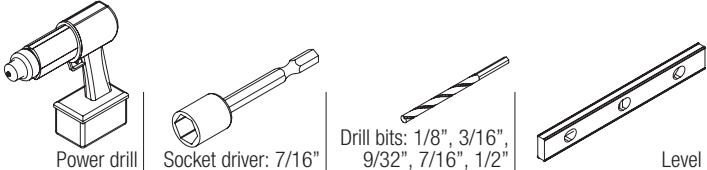
Unless your door is six sections in height, you will not receive an Intermediate III section.

The **BOTTOM SECTION** can be identified by the factory attached bottom bracket warning labels on each end stile.

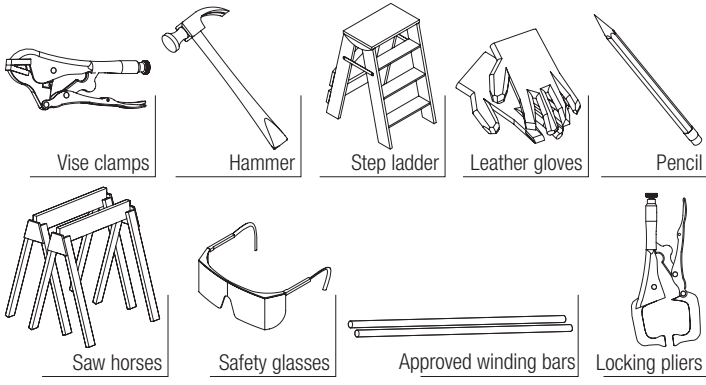
The **INTERMEDIATE I SECTION** may have a warning label attached to either right or left hand end stile of the section. This section is always the 3rd section from the bottom of the door.



## Tools Required

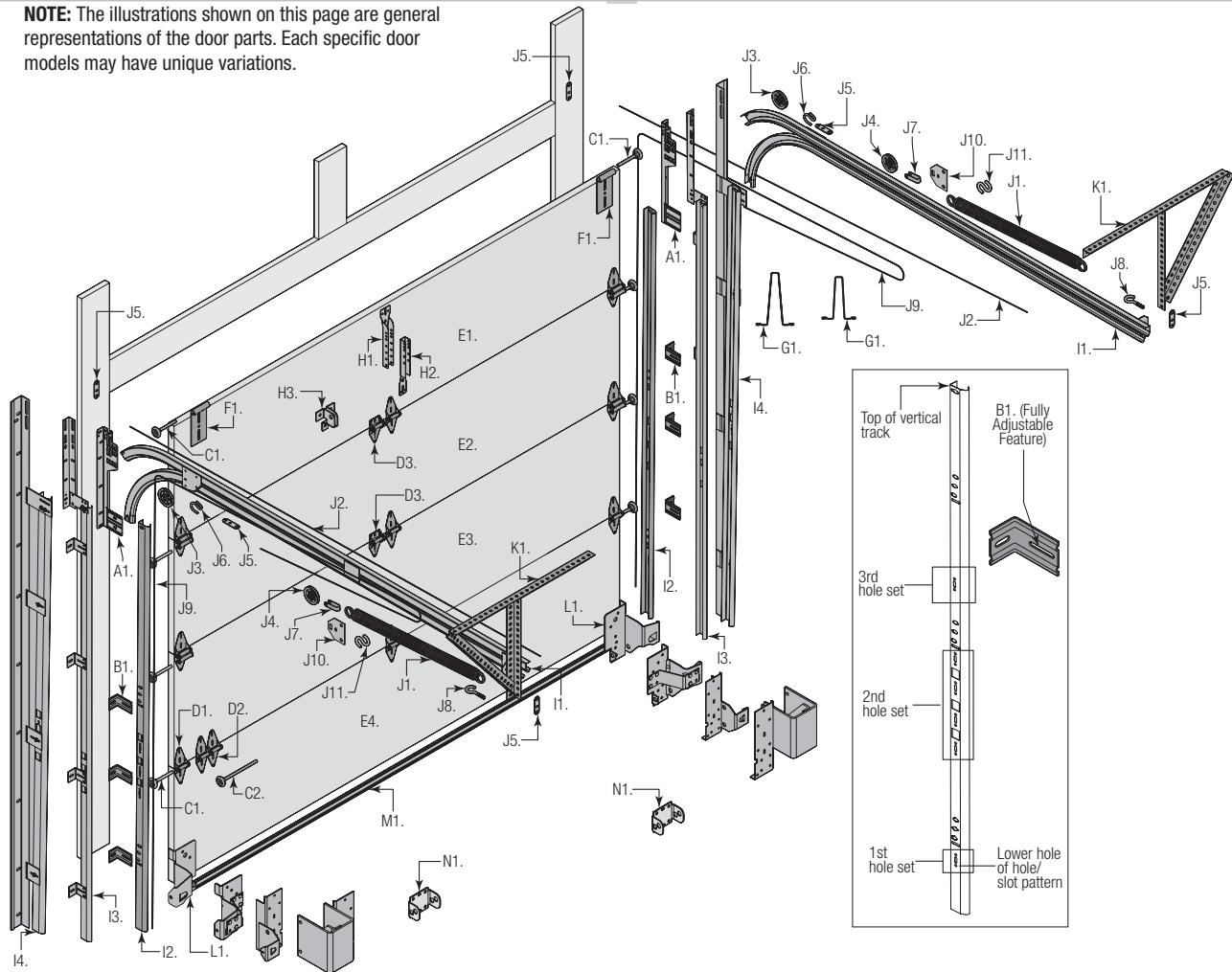


## Door Section Identification



# BREAKDOWN OF PARTS

**NOTE:** The illustrations shown on this page are general representations of the door parts. Each specific door models may have unique variations.



## A. FLAG ANGLES (AS REQUIRED):

A1. Fully Adjustable (F.A.) Flag Angles

## B. JAMB BRACKETS (AS REQUIRED):

B1. Fully Adjustable (F.A.) Jamb Brackets

## C. TRACK ROLLERS (AS REQUIRED):

C1. Short Stem Track Rollers  
C2. Long Stem Track Rollers

## D. GRADUATED END HINGES:

D1. Single Graduated End Hinges (S.E.H.), Industry Standard  
D2. Double Graduated End Hinges (D.E.H.), Industry Standard  
D3. Half Center Hinge(s) (If included)

## E. STACKED SECTIONS:

E1. Top Section / E2. Intermediate(s) Section  
E3. Lock Section / E4. Bottom Section

## F. TOP FIXTURES (AS REQUIRED):

F1. Top Fixtures

## G. STRUT(S) (AS REQUIRED):

G1. 2" Strut (U-shaped) / 3" Strut (U-shaped)

## H. DRAWBAR OPERATOR BRACKET (FOR TROLLEY OPERATED DOORS):

H1. Top Halve Drawbar Operator Bracket  
H2. Bottom Halve Drawbar Operator Bracket  
H3. Drawbar Operator Bracket (Supplied By Others)

## I. TRACKS (AS REQUIRED):

I1. Left Hand and Right Hand Horizontal Track Assemblies

I2. Left Hand and Right Hand Vertical Tracks

I3. Left Hand and Right Hand Riveted Vertical Track Assemblies

I4. Left Hand and Right Hand Angle Mount Vertical Track Assemblies

## J. LOW HEADROOM EXTENSION SPRING ASSEMBLY:

J1. Extension Springs  
J2. Spring Restraint Cables  
J3. Front Cable Lift Sheaves  
J4. Rear Cable Lift Sheaves  
J5. 3 Hole Clips (As Required)  
J6. Small S-Hooks (As Required)  
J7. Sheave Forks (As Required)  
J8. 5/16" - 18 x 3-3/4" Eye Bolts (As Required)  
J9. Counterbalance Lift Cables  
J10. Hook Plates (As Required)  
J11. Large S-Hooks (As Required)

## K. REAR BACK HANGS:

K1. Left Hand And Right Hand Rear Back Hang Assemblies

## L. BOTTOM CORNER BRACKETS (AS REQUIRED):

L1. Left Hand and Right Hand Bottom Corner Brackets

## M. BOTTOM WEATHER SEAL:

M1. Bottom Weather Seal (Door Width)

## N. TRACK ROLLER CARRIER'S (AS REQUIRED):

N1. Track Roller Carrier's

# DOOR INSTALLATION INSTRUCTIONS

Before installing your door, be certain that you have read and followed all of the instructions covered in the pre-installation section of this manual. Failure to do so may result in an improperly installed door.

**NOTE:** Reference TDS 160 for general garage door terminology at [www.dasma.com](http://www.dasma.com).

**IMPORTANT:** IF THE DOOR WILL BE EXPOSED TO A SIGNIFICANT AMOUNT OF ROAD SALT, PAINT THE BARE GALVANIZED BOTTOM WEATHER STEEL RETAINER TO INHIBIT RUSTING.

## 1 Attaching Flag Angles and Jamb Brackets To Vertical Tracks

**NOTE:** If you have Riveted Track or Angle Mount Track, skip this step.

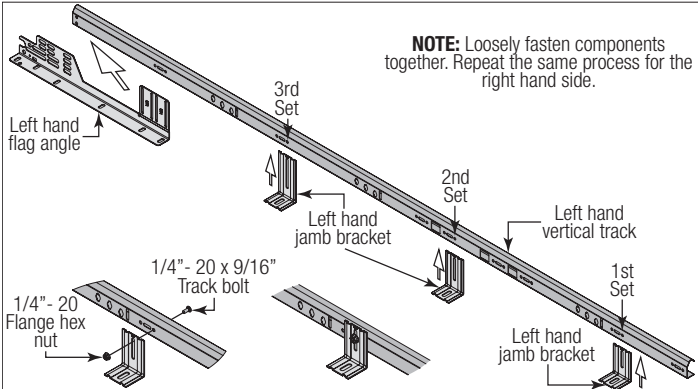
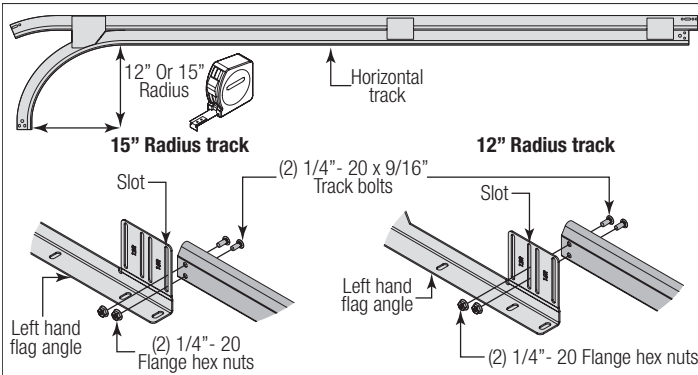
**FOR DOORS WITH FULLY ADJUSTABLE TRACK:** Hand tighten the left hand flag angle to the left hand vertical track using (2) 1/4" - 20 x 9/16" track bolts and (2) 1/4" - 20 flange hex nuts.

**NOTE:** The bottom jamb bracket is always the shortest bracket, while the center jamb bracket is the next tallest. If three jamb brackets per side are included with your door, you will have received a top jamb bracket, which is the tallest.

To attach the bottom jamb bracket, locate lower hole of the hole/ slot pattern of the 1st hole set on the vertical track. Align the slot in the jamb bracket with the lower hole of the hole/ slot pattern. Hand tighten jamb bracket using (1) 1/4" - 20 x 9/16" track bolt and (1) 1/4" - 20 flange hex nut.

Place the center jamb bracket over the lower hole of the hole/ slot pattern that is centered between the bottom jamb bracket and flag angle of the 2nd hole set. Hand tighten jamb bracket using (1) 1/4" - 20 x 9/16" track bolt and (1) 1/4" - 20 flange hex nut.

If a top jamb bracket was included, hand tighten it to vertical track using the lower hole of the hole/ slot pattern in the 3rd hole set and (1) 1/4" - 20 x 9/16" track bolt and (1) 1/4" - 20 flange hex nut.

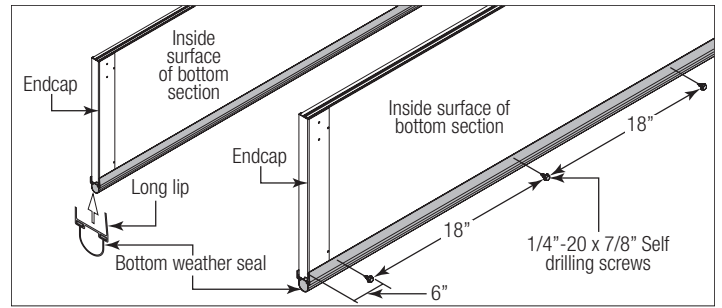


## 2 Bottom Weather Seal

**NOTE:** Refer to door section identification, located in the pre-installation section of this manual or refer to Breakdown Of Parts.

**NOTE:** Verify that the bottom weather seal is aligned with bottom section. If needed, trim the bottom weather seal even with bottom section length.

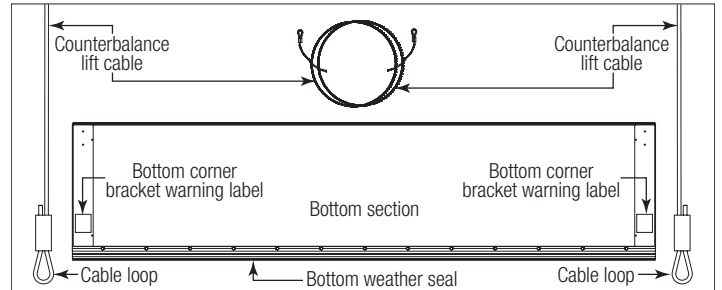
Position the bottom weather seal up against the bottom of the bottom section with the long lip on the inside surface of the bottom section. From inside the door, attach the bottom weather seal to the bottom section with 1/4" - 20 x 7/8" self drilling screws, placing one 6" in from each end of the bottom section and one every 18" (maximum) in between, as shown.



## 3 Attaching Bottom Corner Brackets

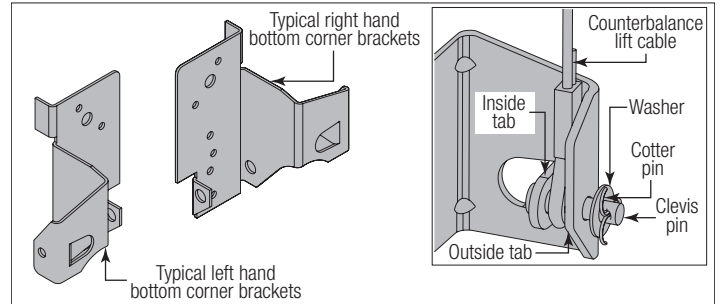
**NOTE:** Refer to door section identification, located in the pre-installation section of this manual or refer to Breakdown of Parts.

Uncoil the counterbalance lift cables.



**NOTE:** Refer to Package Contents / Breakdown of Parts, to determine which bottom corner brackets you have.

Secure the cable loop to the clevis pin and bottom corner bracket using a flat washer and a cotter pin. Repeat for other bottom corner bracket.



## WARNING

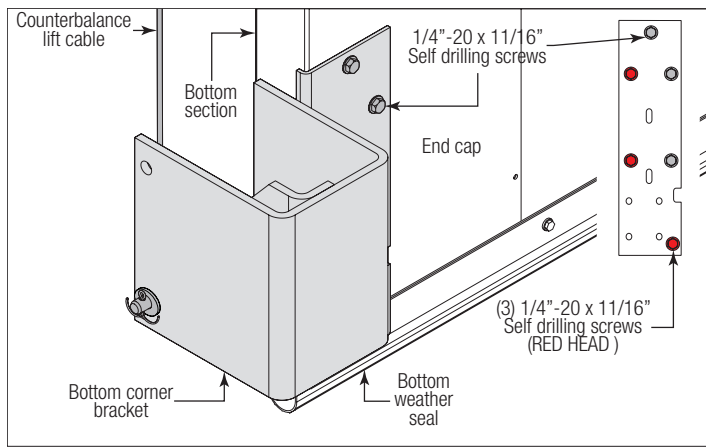
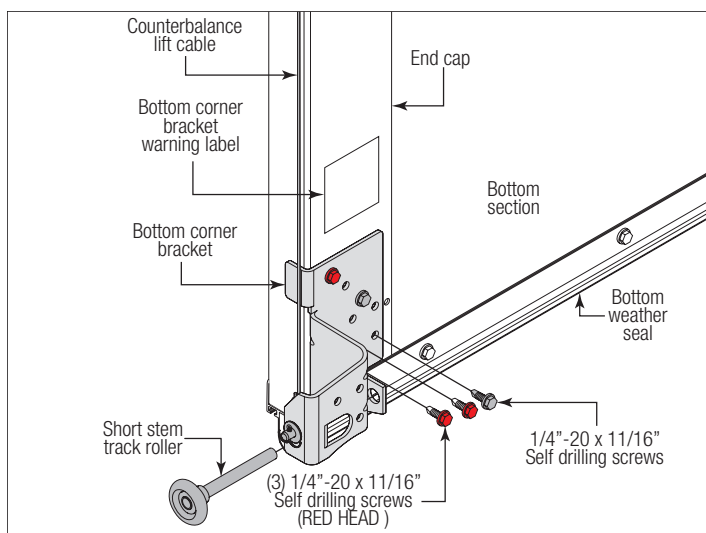
**ENSURE TIGHT FIT OF CABLE LOOP OVER PIN TO PREVENT COUNTERBALANCE LIFT CABLE FROM COMING OFF THE PIN, WHICH COULD ALLOW THE DOOR TO FALL AND RESULT IN SEVERE OR FATAL INJURY.**

Starting on the left hand side, attach the left hand bottom corner bracket to the left corner of the bottom section, making sure it is seated to the edges of the end cap, using (3) 1/4" - 20 x 11/16" RED HEAD self drilling screws, 1/4" - 20 x 11/16" self drilling screws. Insert a short stem track roller with roller spacer (if applicable) into the bottom corner bracket. Repeat for right hand bottom corner bracket.

**IMPORTANT:** THE 1/4" - 20 X 11/16" RED HEAD SELF DRILLING SCREWS MUST BE MUST BE INSTALLED THROUGH THE HOLES OF THE BOTTOM CORNER BRACKETS, AS SHOWN.

**NOTE:** Check to ensure cable loop fits tightly over the milford pins.

**NOTE:** Verify bottom weather seal (bottom seal) is aligned with door section. If there is more than 1/2" excess bottom weather seal on either side, trim bottom weather seal even with door section.

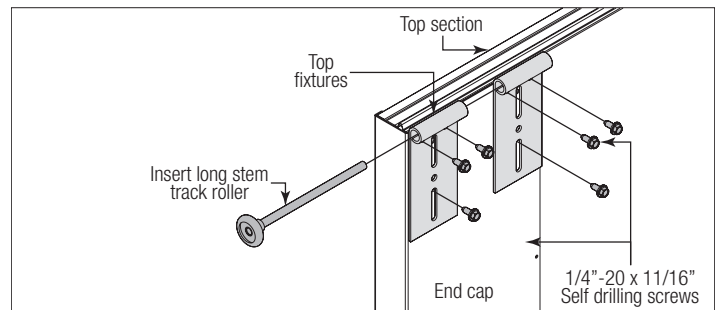
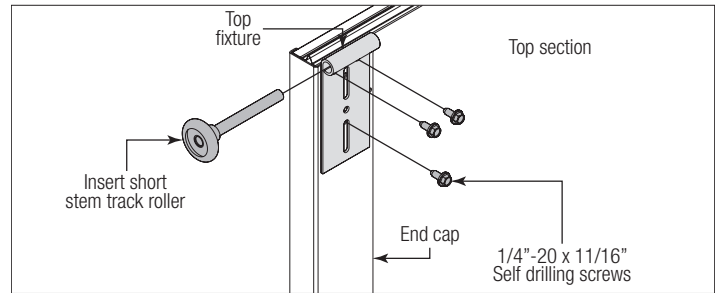


Starting on the left hand side, align the edge of the top fixture parallel to the top section edge. Loosely secure the top fixture to the top section with 1/4" - 20 x 7/8" self drilling screws through the upper and lower slots of the top fixture.

If your door came with two top fixtures: Insert short stem track roller into top fixture and repeat for other side.

If your door came with four top fixtures: Repeat the same process for the other top fixture and insert long stem track roller into top fixtures. Repeat for other side.

**NOTE:** The top fixture slide will be tightened and adjusted later, in step, Adjusting Top Fixture.



## 6 Attaching Hinges and Struts

**NOTE:** Refer to door section identification, located in the pre-installation section of this manual to determine what size sections you need to use as your lock (second) section, intermediate (third) section, intermediate (fourth) section and top section. Measure your sections to make sure they are the correct height as indicated on the chart.

**NOTE:** The graduated end hinges can be identified by the number stamped on the lower hinge leaf. The #1 graduated end hinges serves as end hinges on the bottom section. The #1 graduated end hinges also serves as center hinges on all sections, except for the top section.

**NOTE:** The #2 graduated end hinges serves as end hinges on the Lock section.

**NOTE:** The #3 graduated end hinges serves as end hinges on the Intermediate I section.

**NOTE:** The #4 graduated end hinges serves as end hinges on the Intermediate II section.

**NOTE:** Refer to the strutting schedules below to determine the placement of strut(s) on your door. Be sure to use the proper schedules for the type of door model and the size of your door.

**IMPORTANT:** WHEN REFERRING TO THE STRUTTING SCHEDULES, DETERMINE HOW MANY STRUTS YOUR DOOR NEEDS AND ON WHAT SECTIONS THEY ARE NEEDED TO BE INSTALLED. ALSO BE SURE TO USE THE CORRECT STRUTTING SCHEDULE FOR **ALUMINUM DOORS** OR **STEEL DOORS** DEPENDING ON THE MATERIAL YOUR DOOR IS MADE OF. ALSO USE THE CORRECT STRUTTING SCHEDULE FOR THE **PROPER COLOR** OF YOUR DOOR.

**NOTE:** Sections not noted in the strutting schedule, do not require a strut. All strut(s) are placed at the top of the section(s).

**NOTE:** If your door was ordered with the All Windows option, two struts are temporarily factory attached to the section. Both struts are to be permanently fastened during installation.

**NOTE:** If you paint your door, follow the Strutting Schedule For Brown, Black and Woodgrain Colored Doors.

Strutting Schedule Key:	
TS = Top Section	BS = Bottom Section
IW = Intermediate Section With Windows	ES = Every Section gets a strut.
I2 = Intermediate Section #2	RS = Remaining Sections gets a strut.
I1 = Intermediate Section #1	2S = 2" Strut
LS = Lock Section	3S = 3" Strut

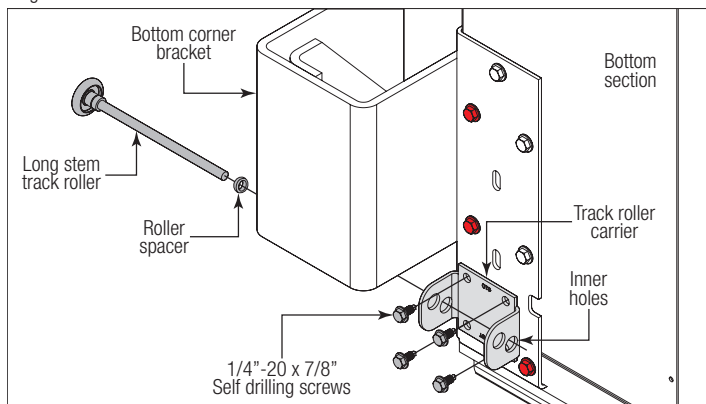
## 4 Attaching Track Roller Carrier's

**NOTE:** If you don't have track roller carriers, then skip this step. Refer to Package Contents / Parts Breakdown of Parts, to determine if a track roller carrier was supplied with your door.

Starting on left hand side of the bottom section, attach the track roller carrier with the stamp "STD" facing UP to the bottom corner bracket by aligning the four holes of the track roller carrier with the four holes in the bottom corner bracket. Secure the track roller carrier to the bottom corner bracket using 1/4" - 20 x 7/8" self drilling screws, as shown. Repeat for the other track roller carrier and repeat the same process for the right hand side.

Insert a long stem track roller and spacer into the inner holes of the track roller carrier, as shown. Repeat the same process for the right hand side.

**NOTE:** The track roller carrier's inner holes are used on doors with 2" track applications with a short stem track roller; the outer holes are used on doors with 3" track applications with a long stem track roller.



## 5 Attaching Top Fixtures To Top Section



Strutting Schedule For Model 8300 Steel (White, Almond and Taupe Colored Doors)						
Door Heights	Section Quantity	Door Configuration	Door Widths			
			9' 1" - 14' 0"	14' 1" - 16' 0"	16' 1" - 18' 0"	18' 1" - 20' 0"
< = 8' 3"	4	Solid	TS	TS, LS	TS, LS, BS	ES
		Top (Windows)	TS	TS, LS	3S TS, 2S LS, 2S BS	ES
		Intermediate (Windows)	TS, IW	TS, IW, BS		ES
	5	Solid	TS	TS, INT1	TS, INT1, BS	ES
		Top (Windows)	TS	TS, INT1	3S TS, 2S INT1, 2S BS	ES
		Intermediate (Windows)	TS, IW	TS, IW, BS		ES

Strutting Schedule For Model 8300 Steel (Brown, Black and Woodgrain Colored Doors)						
Door Heights	Section Quantity	Door Configuration	Door Widths			
			9' 1" - 10' 0"	10' 1" - 16' 0"	16' 1" - 18' 0"	18' 1" - 20' 0"
< = 8' 3"	4	Solid	TS	TS, LS, BS		ES
		Top (Windows)	TS	TS, LS, BS		ES
		Intermediate (Windows)	TS, IW	TS, IW, BS		ES
	5	Solid	TS	TS, INT1, BS		N/A
		Top (Windows)	TS	TS, INT1, BS		N/A
		Intermediate (Windows)	TS, IW	TS, IW, BS		N/A

Strutting Schedule For Model 8500 Steel (White, Almond and Taupe Colored Doors)							
Door Heights	Section Quantity	Door Configuration	Door Widths				
			9' 1" - 10' 0"	10' 1" - 14' 0"	14' 1" - 16' 0"	16' 1" - 18' 0"	18' 1" - 20' 0"
< = 8' 0"	4	Solid	N/A	TS		TS, LS, BS	ES
		Top (Windows)	TS		3S TS, 2S LS, 2S BS		ES
		Intermediate (Windows)	N/A	TS, IW	TS, IW, BS		ES
	5	Solid	N/A	TS		TS, INT1, BS	ES
		Top (Windows)	TS		3S TS, 2S INT1, 2S BS		ES
		Intermediate (Windows)	N/A	TS, IW	TS, IW, BS		ES

Strutting Schedule For Model 8500 Steel (Brown, Black and Woodgrain Colored Doors)						
Door Heights	Section Quantity	Door Configuration	Door Widths			
			< = 6' 0" - 10' 0"	10' 1" - 18' 0"	18' 1" - 20' 0"	
< = 8' 0"	4	Solid	TS	TS, LS, BS		ES
		Top (Windows)	TS	TS, LS, BS		ES
		Intermediate (Windows)	TS	TS, IW, BS		ES
	5	Solid	TS	TS, INT1, BS		ES
		Top (Windows)	TS	TS, INT1, BS		ES
		Intermediate (Windows)	TS	TS, IW, BS		ES

Strutting Schedule For Model 8300 Aluminum (White, Almond and Taupe Colored Doors)							
Door Heights	Section Quantity	Door Configuration	Door Widths				
			6' 0" - 9' 0"	10' 0" - 14' 0"	15' 0" - 16' 0"	17' 0" - 18' 0"	20' 0"
< = 8' 0"	4	Solid	TS		TS, INT1, BS		TS, INT1, LS, BS
		Top (Windows)	TS		TS, INT1, BS	3S TS, 2S INT1, 2S BS	
		Intermediate (Windows)	TS	TS, IW	TS, IW, BS		
	5	Solid	TS		TS, INT1, BS		TS, INT2, INT1, BS
		Top (Windows)	TS		TS, INT1, BS	3S TS, 2S INT1, 2S BS	
		Intermediate (Windows)	TS	TS, IW	TS, IW, BS		

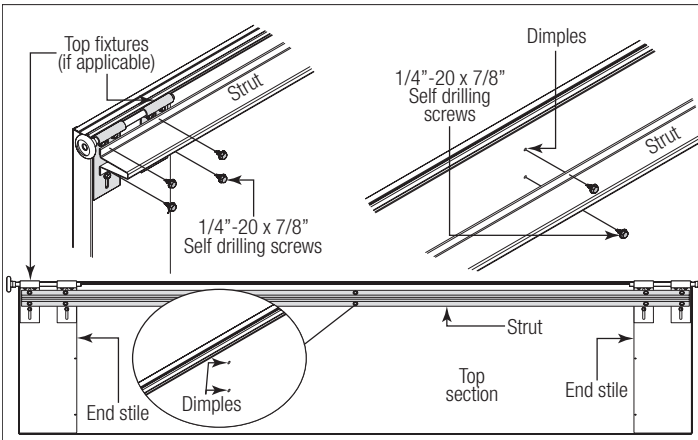
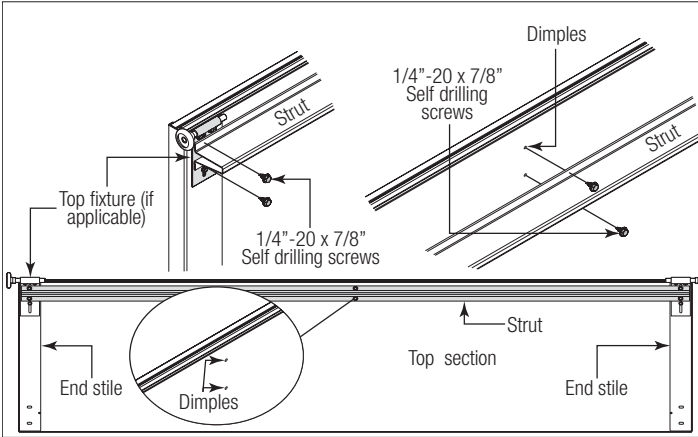
Strutting Schedule For Model 8300 Aluminum (Brown, Black and Woodgrain Colored Doors)					
Door Heights	Section Quantity	Door Configuration	Door Width		
			6' 0" - 10' 0"	12' 0" - 18' 0"	20' 0"
< = 8' 0"	4 or 5	Solid / Windows	TS	TS, LS, BS	ES

Strutting Schedule For Model 8500 Aluminum (White, Almond and Taupe Colored Doors)								
Door	Section Quantity	Door Configuration	Door Widths					
			6' 0" - 8' 0"	9' 0" - 10' 0"	12' 0" - 14' 0"	15' 0" - 16' 0"	17' 0" - 18' 0"	20' 0"
< = 8' 0"	4	Solid	TS		TS, LS	TS, LS, BS		TS, INT1, LS, BS
		Top (Windows)	TS		TS, LS	TS, LS, BS	TS, INT1, LS, BS	
		Intermediate (Windows)	TS		TS, IW	TS, IW, BS		
	5	Solid	TS		TS, LS	TS, LS, BS		TS, INT3, INT1, BS
		Top (Windows)	TS		TS, LS	TS, LS, BS	3S TS, 2S LS, 2S BS	
		Intermediate (Windows)	TS		TS, IW	TS, IW, BS		

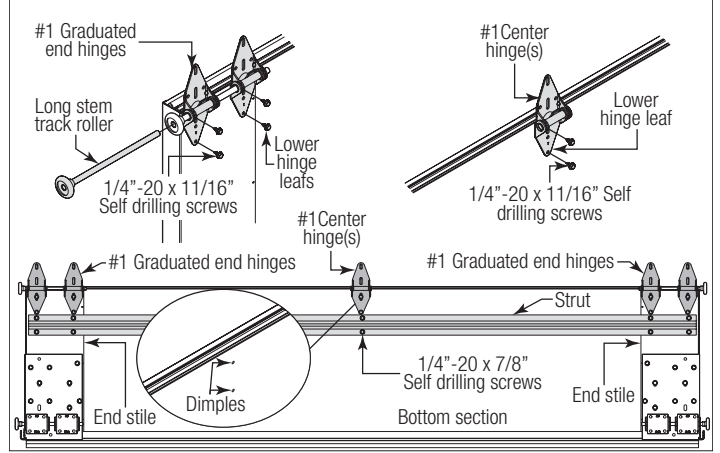
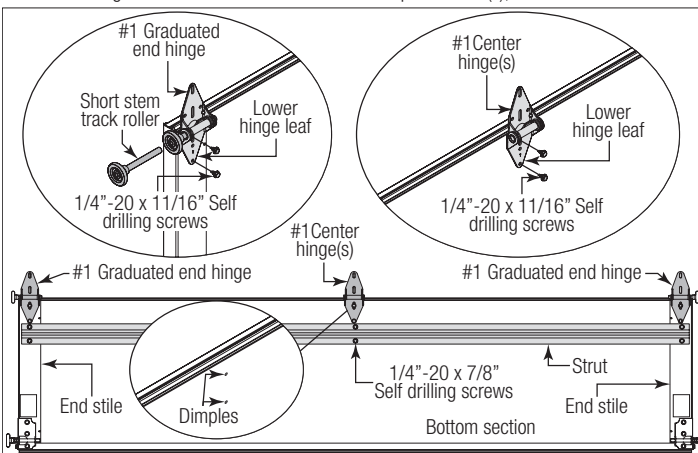
**Strutting Schedule For Model 8500 Aluminum (Brown, Black and Woodgrain Colored Doors)**

Door Heights	Section Quantity	Door Configuration	Door Widths			
			6' 0" - 10' 0"	12' 0" - 16' 0"	17' 0" - 18' 0"	20' 0"
<= 8' 0"	4 or 5	Solid / Windows	TS	TS, LS, BS		ES

**INSTALLATION ON TOP SECTION:** Using sawhorses, lay the top section on a flat smooth surface. Locate and center the strut onto the section surface and up against the top edge of the top section. Center the strut side to side on the section. Secure strut to top section using 1/4" - 20 x 7/8" self drilling screws at each end and at each dimple location(s), as shown.

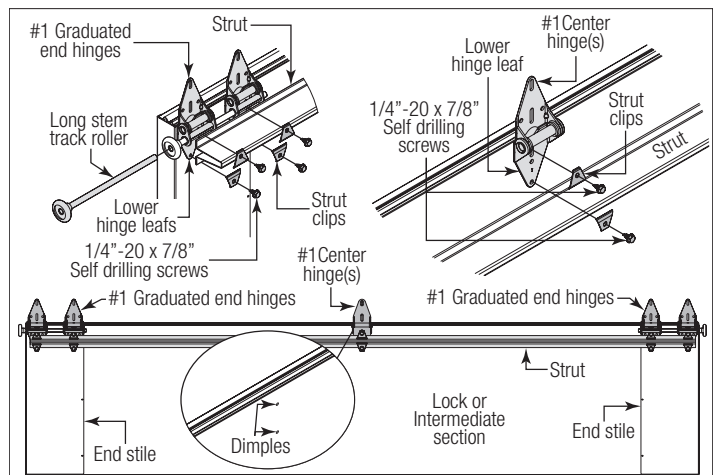
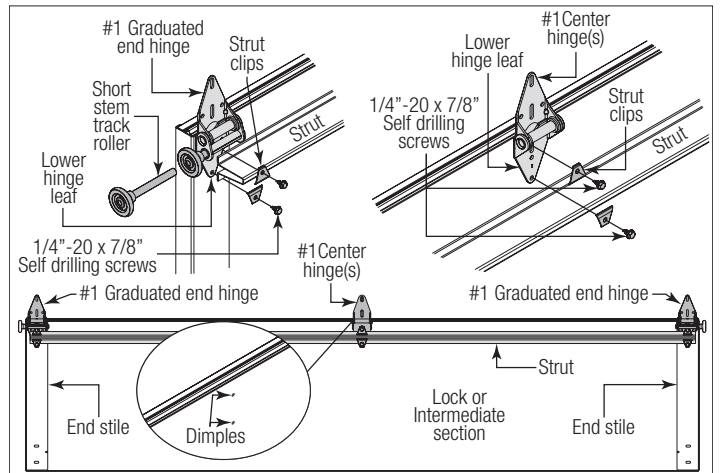


**INSTALLATION ON ALL SOLID SECTIONS (EXCEPT TOP SECTION):** Using sawhorses, lay the section on a flat smooth surface. Starting on the left hand side of the section, align the lower leaf of the appropriate graduated end hinges over the holes at the top of the end caps located at the top of the section. Next, align the lower hinge leaves of the #1 center hinges with the dimples at the center location(s) located at the top of the section. Secure the graduated end and center hinges to the section using (2) 1/4" - 20 x 11/16" self drilling screws. Locate and center the strut onto the section surface and up against the bottom edge of the hinges. Center the strut side to side on the section. Secure strut to section using 1/4" - 20 x 7/8" self drilling screws at each end and at each dimple location(s), as shown.

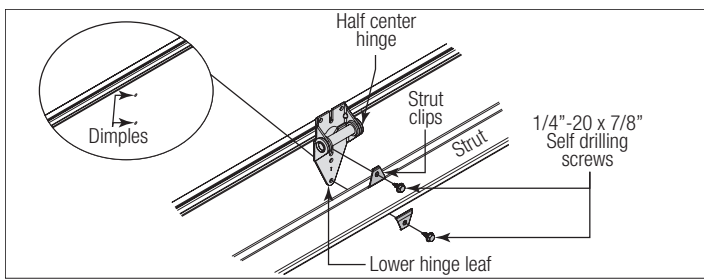


**INSTALLATION ON ALL SECTION WITH WINDOWS (EXCEPT TOP SECTION):** Using sawhorses, lay the section on a flat smooth surface. Starting on the left hand side of the section, align the lower leaf of the appropriate graduated end hinges over the holes at the top of the end caps located at the top of the section. Next, align the lower hinge leaves of the #1 center hinges / half center hinges with the dimples at the center location(s) located at the top of the section. Locate and center the strut onto the section surface and on top of the hinges. Center the strut side to side on the section. Secure strut and hinges to section using strut clips and 1/4" - 20 x 7/8" self drilling screws at each end hinges and at each dimple location(s), as shown.

**NOTE:** If your Intermediate Section has windows in it and a strut needs to be installed on that section, strut clips will need to be used to attach it to the section.



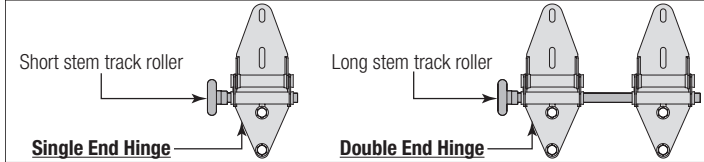
**NOTE:** If a strut is required to be installed on a section with windows in it, half center hinge(s) (if included) may need to be used instead of the typical center hinge(s).



**IMPORTANT:** ONCE THE 1/4" - 20 SELF DRILLING SCREWS ARE SNUG AGAINST THE LOWER HINGE LEAFS, TIGHTEN AN ADDITIONAL 1/4 TO 1/2 TURN TO RECEIVE MAXIMUM DESIGN HOLDING POWER.

Insert the appropriate stem track roller into the hinge tube of the graduated end hinges. Repeat the same process for all remaining sections.

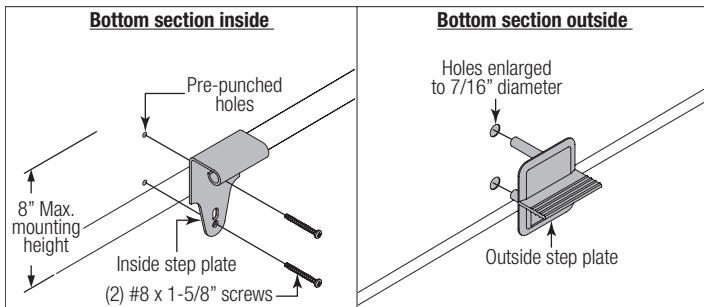
**IMPORTANT:** WHEN PLACING STEM TRACK ROLLERS INTO THE #2 GRADUATED END HINGES AND HIGHER, THE STEM TRACK ROLLER GOES INTO HINGE TUBE FURTHEST AWAY FROM SECTION.



## 7 Step Plate

Locate the center most center stile on the bottom section of the door. On the inside of the door and using the pre-punched holes at the bottom of the center stile as a template, drill (2) 7/32" dia. holes through the section. Using the previously drilled holes as a guide, enlarge the holes from outside the door to 7/16" dia. and assemble the outside and inside step plates to the section using (2) #8 x 1-5/8" screws.

**CAUTION**  
DO NOT DRILL THROUGH OR ENLARGE HOLES ON THE INSIDE OF THE DOOR SECTION.



## 8 Lift Handle

**NOTE:** Doors with a Keyed lock do not require this lift handle.

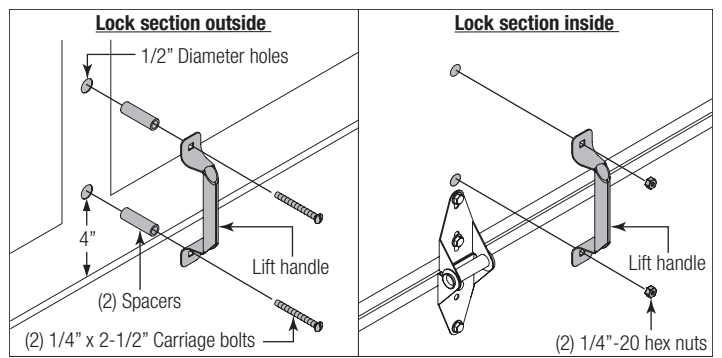
Locate the inside center stile or the desired lift handle location on the lock (2nd) section of the door. Position the lower hole in the lift handle 4" from the bottom of the lock (2nd) section.

**IMPORTANT:** THE DISTANCE BETWEEN THE STEP PLATE AND THE MIDDLE OF THE LIFT HANDLE MUST BE 20" MINIMUM TO 30" MAXIMUM. IF NECESSARY REPOSITION THE UPPER LIFT HANDLE TO STAY WITHIN THE REQUIRED DIMENSION.

Using the lift handle holes as a template, drill (2) 9/32" dia. holes through the lock section. Enlarge the holes from the outside the door to 1/2" dia.

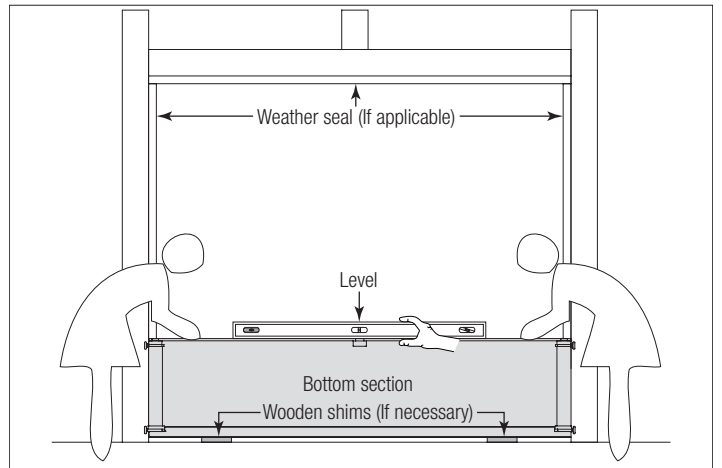
**CAUTION**  
DO NOT DRILL THROUGH OR ENLARGE HOLES ON THE INSIDE OF THE DOOR SECTION.

Assemble the outside and inside lift handles to the lock section using (2) spacers, (2) 1/4" - 20 x 2-1/2" carriage bolts and (2) 1/4" - 20 hex nuts.



## 9 Positioning Bottom Section

Center the bottom section in the door opening. Level the section using wooden shims (if necessary) under the bottom section. When the bottom section is leveled, temporarily hold it in place by driving a nail into the jamb and bending it over the edge of the bottom section on both sides.



## 10 Attaching Vertical Tracks To Jamb

**NOTE:** Depending on your door, you may have Quick Install Flag Angles, Fully Adjustable Flag Angles, Riveted Vertical Track Assemblies or you may have Angle Mount Vertical Track Assemblies. Refer to Package Contents / Breakdown Of Parts, to determine which Flag Angles / Vertical Track Assemblies you have.

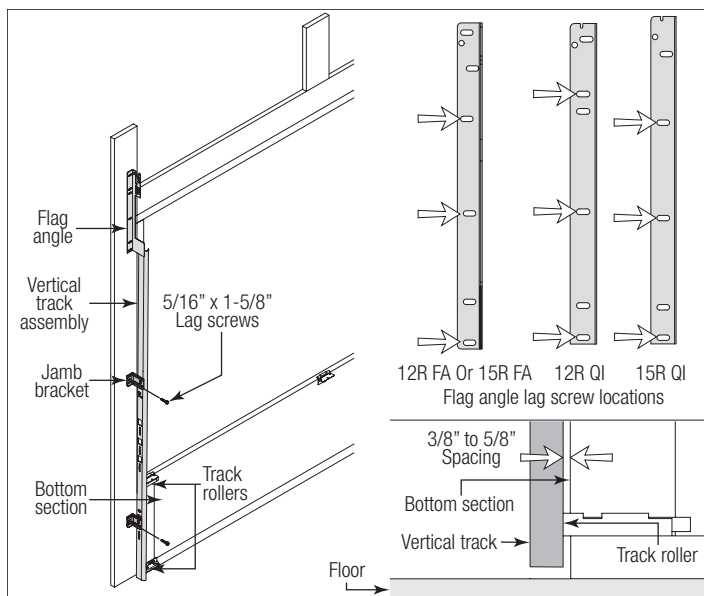
**IMPORTANT:** IF YOUR DOOR IS TO BE INSTALLED PRIOR TO A FINISHING CONSTRUCTION OF THE BUILDING'S FLOOR, THE VERTICAL TRACKS AND THE DOOR BOTTOM SECTION ASSEMBLY SHOULD BE INSTALLED SUCH THAT WHEN THE FLOOR IS CONSTRUCTED, NO DOOR OR TRACK PARTS ARE TRAPPED IN THE FLOOR CONSTRUCTION.

**IMPORTANT:** THE TOPS OF THE VERTICAL TRACKS MUST BE LEVEL FROM SIDE TO SIDE. IF THE BOTTOM SECTION WAS SHIMMED TO LEVEL IT, THE VERTICAL TRACK ON THE SHIMMED SIDE MUST BE RAISED THE HEIGHT OF THE SHIM.

Starting on the left hand side of the bottom section, remove the nail. Position the left hand vertical track assembly over the track rollers of the bottom section. Make sure the counterbalance lift cable is located between the track rollers and the door jamb.

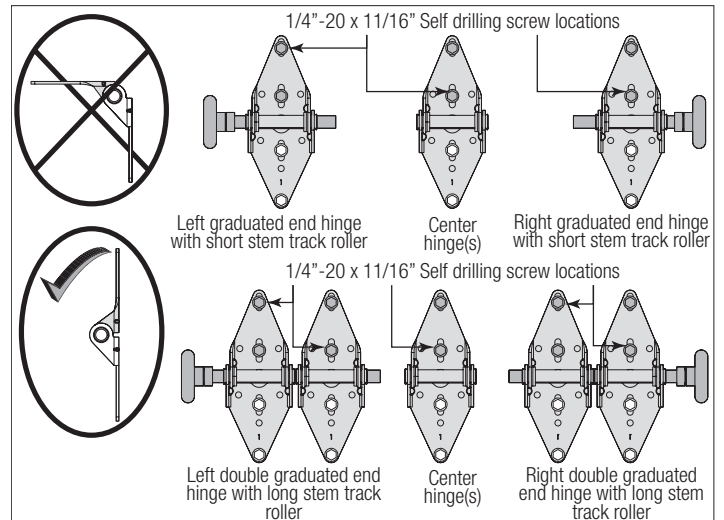
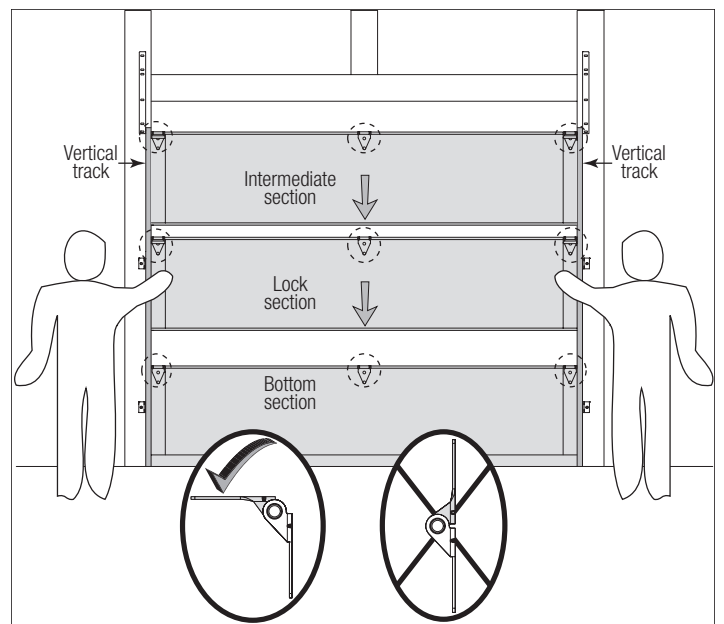
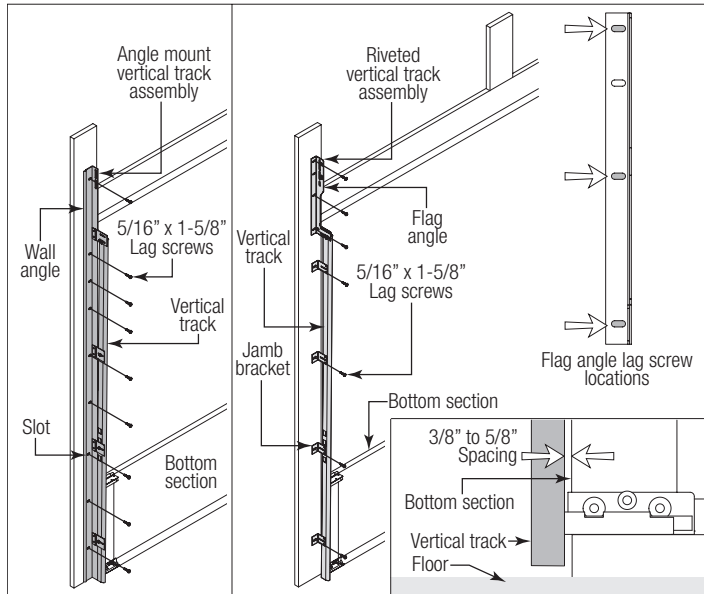
**NOTE:** Drill 3/16" pilot holes into door jamb for the lag screws.

Loosely fasten jamb brackets and flag angle to the jamb using 5/16" x 1-5/8" lag screws. Tighten lag screws, securing the bottom jamb bracket to jamb, maintain 3/8" to 5/8" spacing, between the bottom section and vertical track. Hang counterbalance lift cable over flag angle. Repeat same process for other side.



**FOR RIVETED VERTICAL TRACK ASSEMBLY:** Loosely fasten jamb brackets and flag angle to the jamb using 5/16" x 1-5/8" lag screws. Tighten lag screws, securing the bottom jamb bracket to jamb, maintain 3/8" to 5/8" spacing as shown between the bottom section and vertical track. Hang counterbalance lift cable over flag angle. Repeat same process for other side.

**FOR ANGLE MOUNT VERTICAL TRACK ASSEMBLY:** Loosely fasten the slots in the wall angle to the jamb using 5/16" x 1-5/8" lag screws. Tighten lag screws, securing the bottom slot in the wall angle, maintain 3/8" to 5/8" spacing as shown between the bottom section and vertical track. Hang counterbalance lift cable over angle mount. Repeat same process for other side.



## 12 Stacking Top Section

Place the top section in the opening. Install a nail to prevent the top section from falling backwards. Now, flip up the hinge leaves, hold tight against section, and fasten center hinges first and end hinges last (refer to step, Stacking Sections). Vertical track alignment is critical. Position flag angle or wall angle between 1-11/16" (43 mm) to 1-3/4" (44 mm) from the edge of the door; tighten the bottom lag screw. Flag angles must be parallel to the door sections. Repeat for other side.

**IMPORTANT:** THE DIMENSION BETWEEN THE FLAG ANGLES OR WALL ANGLES MUST BE DOOR WIDTH PLUS 3-3/8" (86MM) TO 3-1/2" (89 MM) FOR SMOOTH, SAFE DOOR OPERATION.

**FOR QUICK INSTALL TRACK:** Complete the vertical track installation by securing the jamb bracket(s) and tightening the other lag screws. Repeat for other side.

**FOR FULLY ADJUSTABLE TRACK OR RIVETED TRACK:** Complete the vertical track installation by securing the jamb bracket(s) and tightening the other lag screws. Push the vertical track against the track rollers so that the track rollers are touching the deepest part of the curved side of the track; tighten all the track bolts and nuts. Repeat for other side.

**FOR ANGLE MOUNT TRACK:** Complete the vertical track installation by securing the jamb bracket(s) and or tightening the other lag screws. Push the vertical track against the track rollers so that the track rollers are touching the deepest part of the curved side of the vertical track, as shown. Repeat for other side.

## 11 Stacking Sections

**NOTE:** Refer to door section identification, located in the pre-installation section of this manual to determine what size sections you need to use as your lock (second) section, intermediate (third) section and intermediate (fourth) section. Measure your sections to make sure they are the correct height as indicated on the chart.

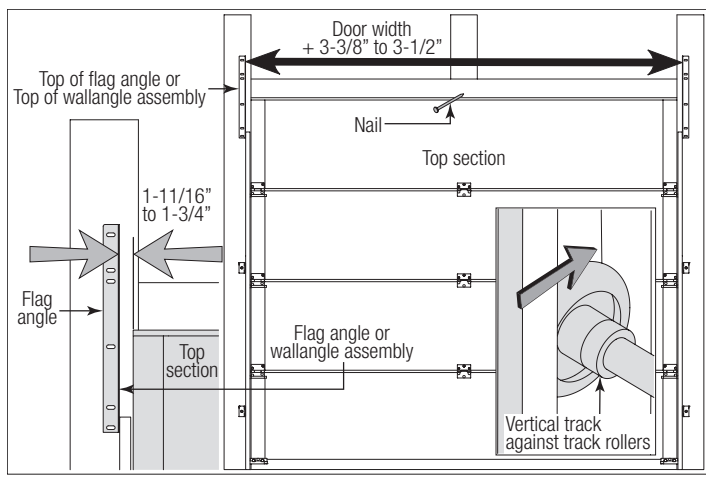
**NOTE:** Make sure graduated end and center hinges are flipped down, when stacking another section on top.

With assistance, lift second section and guide the track rollers into the vertical tracks. Lower section until it is seated against bottom section. Flip hinges up. Fasten center hinge(s) first; then end hinges last using 1/4" - 20 x 11/16" self-drilling screws.

Repeat same process for other sections, except top section.

**IMPORTANT:** PUSH & HOLD THE HINGE LEAVES SECURELY AGAINST THE SECTIONS WHILE SECURING WITH 1/4" - 20 X 11/16" SELF-DRILLING SCREWS. THERE SHOULD BE NO GAP BETWEEN THE HINGE LEAVES AND THE SECTIONS.

**NOTE:** Install lock at this time (sold separately). See optional installation step, Side Lock.



## 13 Attaching Drawbar Operator Bracket

**IMPORTANT:** WHEN CONNECTING A TROLLEY TYPE GARAGE DOOR OPENER TO THIS DOOR, A WAYNE DALTON OPERATOR/ TROLLEY BRACKET MUST BE SECURELY ATTACHED TO THE TOP SECTION OF THE DOOR IF ONE HAS BEEN PROVIDED, ALONG WITH ANY STRUTS PROVIDED WITH THE DOOR (IF A WAYNE DALTON OPERATOR/ TROLLEY BRACKET WAS NOT PROVIDED WITH YOUR DOOR, THEN USE THE ONE PROVIDED BY YOUR OPERATOR MANUFACTURER). THE INSTALLATION OF THE OPERATOR MUST BE ACCORDING TO MANUFACTURER'S INSTRUCTIONS AND FORCE SETTINGS MUST BE ADJUSTED PROPERLY.

**NOTE:** For retro fit applications, the drawbar operator bracket must be aligned with an existing operator.

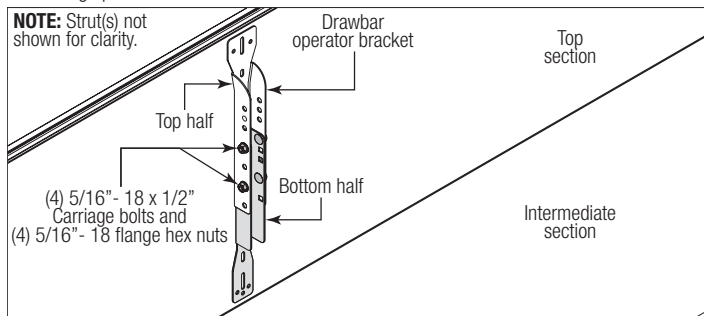
**NOTE:** Refer to illustrations to determine which drawbar operator bracket were supplied with your door. Follow the corresponding step below:

Place the bottom half inside the top half and flush against the inside surface of the top section. Adjust both the top and bottom halves out as far apart as possible on the section surface. Secure the drawbar operator bracket bottom half and the top half together using (4) 5/16" - 18 x 1/2" carriage bolts and (4) 5/16" - 18 flange hex nuts.

**NOTE:** Install the 5/16" - 18 x 1/2" carriage bolts and the 5/16" - 18 flange hex nuts as far apart as possible, prior to securing both top and bottom halves together.

Now, locate the center of the top section and align the center of the holes in the drawbar operator bracket assembly with the top section center line. Align the drawbar operator bracket assembly vertically.

**NOTE:** For retro fit applications, the drawbar operator bracket assembly must be aligned with an existing operator.

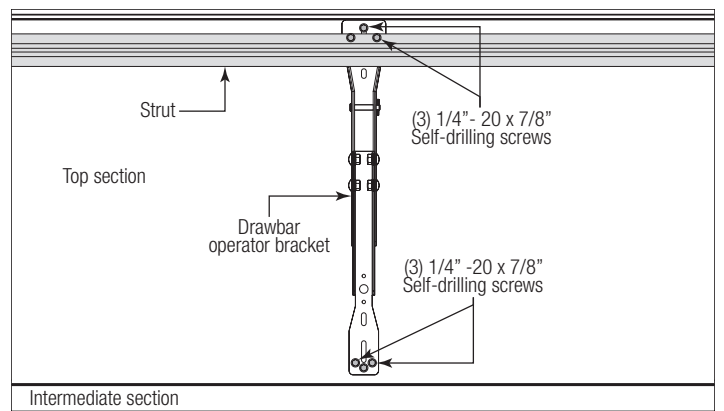


**FOR STANDARD INSTALLATION:** Slide the top half of the drawbar operator bracket assembly under the strut, keeping the drawbar operator bracket assembly aligned with the center line. Remove the strut's screws, if necessary and attach to the top section (through strut if necessary) using (3) 1/4" - 20 x 7/8" self drilling screws.

**NOTE:** If your door lacks a strut on the top section, ignore the previous paragraph.

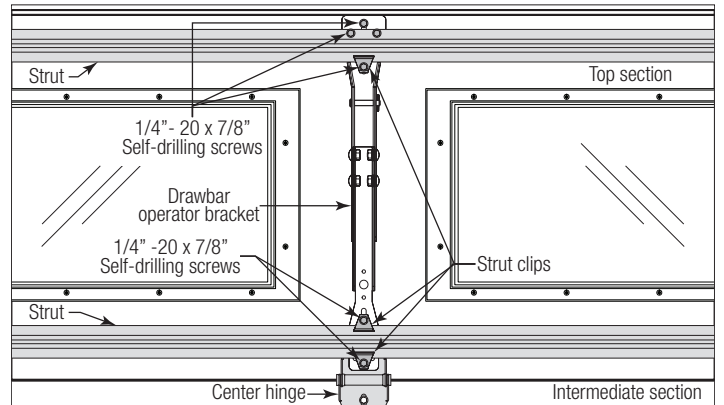
Attach the bottom half of the drawbar operator bracket to the section surface using (3) 1/4" - 20 x 7/8" self drilling screws.

**NOTE:** When attaching drawbar operator bracket to top section with strut, apply additional pressure to thread into the strut.

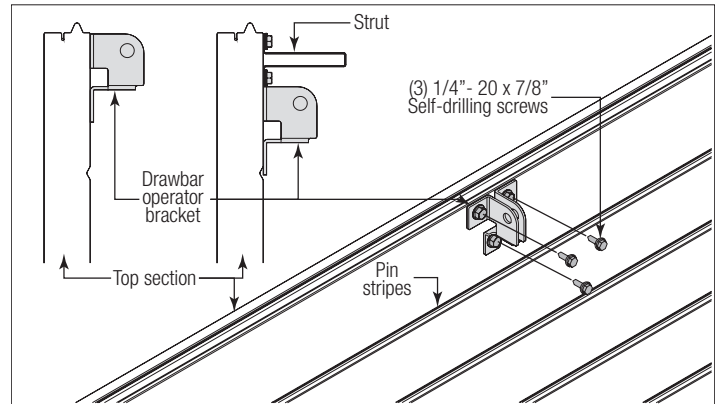


**FOR DOOR SECTIONS WITH ALL WINDOWS INSTALLATION:** Slide the top half of the drawbar operator bracket assembly under the strut. Slide the bottom half of the drawbar operator bracket assembly under the strut and over the center hinge, keeping the drawbar operator bracket assembly aligned with the center line. Attach the drawbar operator bracket assembly to the top section using 1/4" - 20 x 7/8" self drilling screws and strut clips.

**NOTE:** If needed, temporarily remove the strut and the upper hinge leaf of the center hinge screws to properly position the drawbar operator bracket assembly onto the top section.



Locate the center of the top section. Position the drawbar operator bracket under the strut (if applicable) or align the drawbar operator bracket top edge with the top edge of the top section, as shown. Attach the drawbar operator bracket using (3) 1/4" - 20 x 7/8" self-drilling screws (as shown).



## 14 Attaching Horizontal Tracks

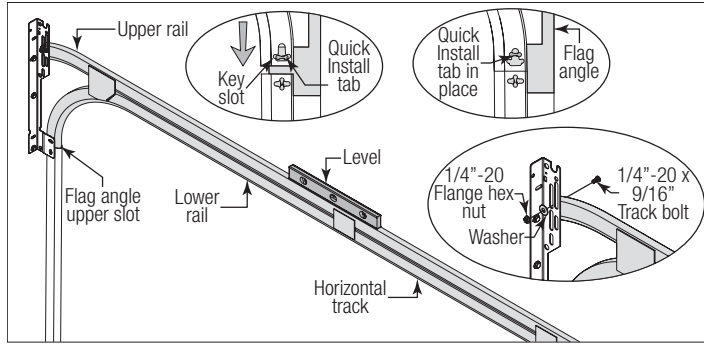
**NOTE:** Depending on your door, you may have Quick Install Flag Angles, Fully Adjustable Flag Angles or you may have Riveted Vertical Track Assemblies. Refer to Package Contents / Breakdown of Parts, to determine which Flag Angles / Vertical Track Assemblies you have.

### ⚠ WARNING

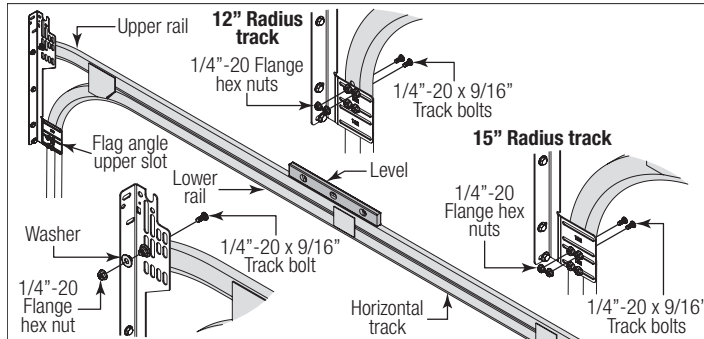
**DO NOT RAISE DOOR UNTIL HORIZONTAL TRACKS ARE SECURED AT REAR, AS OUTLINED IN STEP, REAR BACK HANGS, OR DOOR COULD FALL FROM OVERHEAD POSITION CAUSING SEVERE OR FATAL INJURY.**

**IF YOU HAVE QUICK INSTALL FLAG ANGLES:** To install horizontal track, place the curved end over the top track roller of the top section. Align key slot of the horizontal track with the Quick Install tab of the flag angle. Push curved portion of horizontal track down to lock in place. Level the horizontal track assembly and bolt the top rail of the horizontal track to the

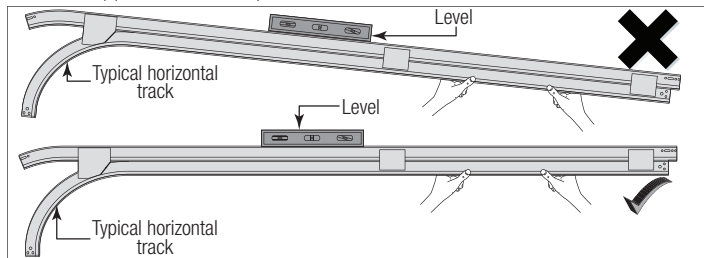
encountered slot in the flag angle using (1) 1/4" - 20 x 9/16" track bolt, (1) 1/4" - 20 flange hex nut and (1) 5/16" washer. Repeat for other side.



**IF YOU HAVE FULLY ADJUSTABLE FLAG ANGLES OR RIVETED TRACK ASSEMBLIES:**  
To install horizontal track, place the top rail end over the top track roller of the top section. Align the bottom rail end of the horizontal track with the top of the vertical track. Tighten the bottom rail of the horizontal track to the flag angle with (2) 1/4" - 20 x 9/16" track bolts and (2) 1/4" - 20 flange hex nuts.



Next level the horizontal track assembly and bolt the top rail of the horizontal track to the encountered slot in the flag angle using (1) 1/4" - 20 x 9/16" track bolt, (1) 1/4" - 20 flange hex nut and (1) 5/16" washer. Repeat for other side.

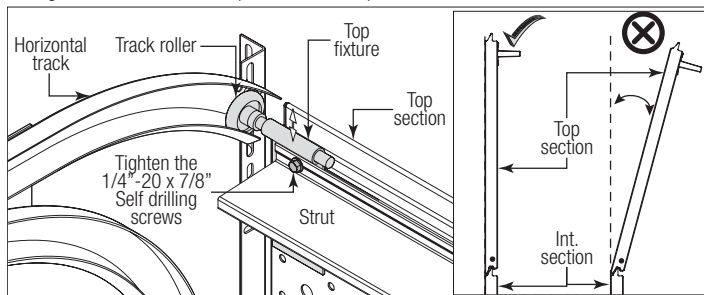


Next remove the nail that was temporarily holding the top section in place, installed in step, Top Section.

**IMPORTANT:** FAILURE TO REMOVE NAIL BEFORE ATTEMPTING TO RAISE DOOR COULD CAUSE PERMANENT DAMAGE TO TOP SECTION.

## 15 Adjusting Top Fixtures

With horizontal tracks installed, you can now adjust the top fixtures. Vertically align the top section of the door with the lower sections. Once aligned, position the top fixture slide, out against the horizontal track. Maintaining the slide's position, tighten the 1/4" - 20 x 7/8" self drilling screws to secure the top fixture to the top section.

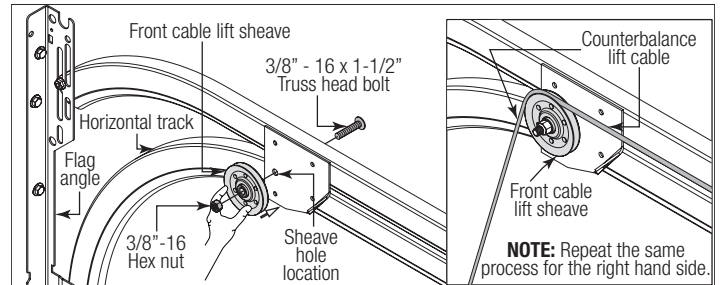


# COUNTERBALANCE INSTALLATION INSTRUCTIONS

## 16 Attaching Cable Lift Sheaves

Place a 3/8" - 16 x 1-1/2" truss head bolt through the sheave plate hole in the horizontal track and slide the sheave over the end of the bolt, as shown. Secure the sheave using (1) 3/8" - 16 hex nut.

Repeat for the other side and loop the counterbalance lift cables over each sheave.



## 17 Attaching Rear Back Hangs

Raise the door until the top section and half of the next section are in the horizontal track radius. Do not raise door any further since rear of horizontal tracks are not yet supported.

**WARNING**  
**RAISING DOOR INTO THE LOOSE HORIZONTAL TRACKS CAN RESULT IN DOOR FALLING AND CAUSE SEVERE OR FATAL INJURY.**

Clamp a pair of locking pliers onto the vertical tracks just above the second track roller on one side, and just below the second track roller on the other side. This will prevent the door from raising or lowering while installing the rear back hangs.

Using the chart below, select the appropriate perforated angle (may not be supplied). Fabricate and install rear back hangs, as shown.

Perforated Angle Gauge Weight Limitations:	
Perforated Angle Gauge	Door Balance Weight
2" x 2" x 12 Gauge	800 lbs. to 1600 lbs.
1-1/4" x 1-1/4" x 13 Gauge	305 lbs. to 610 lbs.
1-1/4" x 1-1/4" x 15 Gauge	220 lbs. to 440 lbs.
1-1/4" x 1-1/4" x 16 Gauge	175 lbs. to 350 lbs.

**NOTE:** If an opener is installed, position horizontal tracks one hole above level when securing them to the rear back hangs.

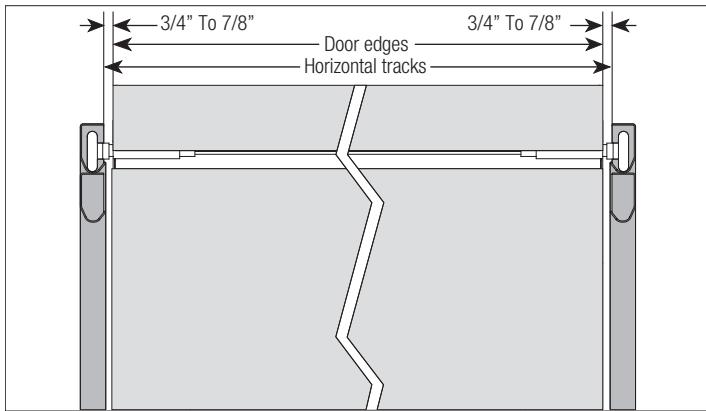
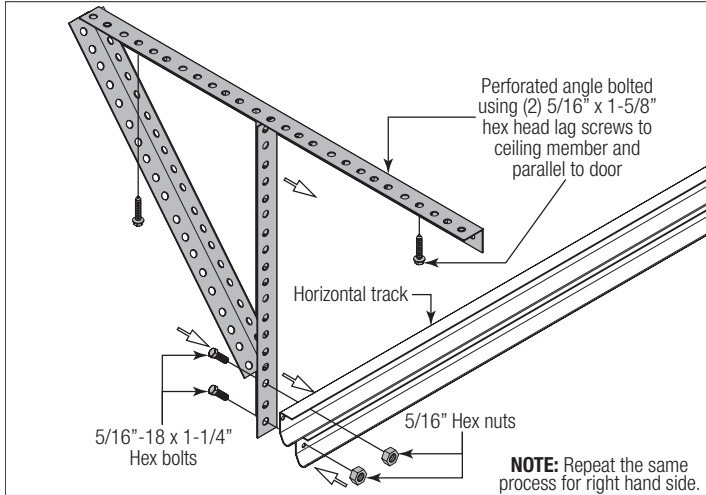
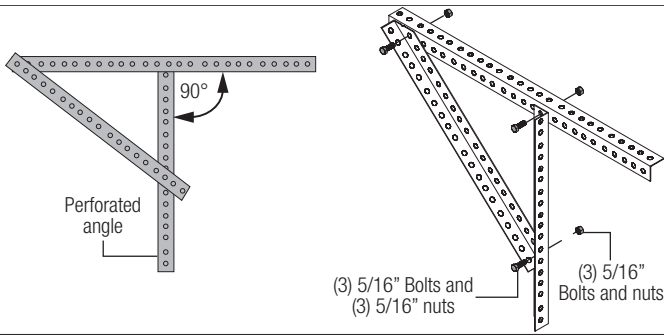
**WARNING**  
**KEEP HORIZONTAL TRACKS PARALLEL AND WITHIN 3/4" TO 7/8" FROM DOOR EDGE, OTHERWISE DOOR COULD FALL, RESULTING IN SEVERE OR FATAL INJURY.**

**IMPORTANT:** DO NOT SUPPORT THE WEIGHT OF THE DOOR ON ANY PART OF THE REAR BACK HANGS THAT CANTILEVERS 4" OR MORE BEYOND A SOUND FRAMING MEMBER.

**NOTE:** If rear back hangs are to be installed over drywall, use (2) 5/16" x 2" hex head lag screws and make sure lag screws engage into solid structural lumber.

**WARNING**  
**FAILURE TO ASSEMBLE AND ATTACH REAR BACK HANGS PROPERLY ACCORDING TO THE ABOVE INSTRUCTIONS MAY RESULT IN DOOR FALLING WHEN RAISED, CAUSING SEVERE OR FATAL INJURY.**

**NOTE:** Perforated angle must be attached to sound framing members and **nails should not be used.**

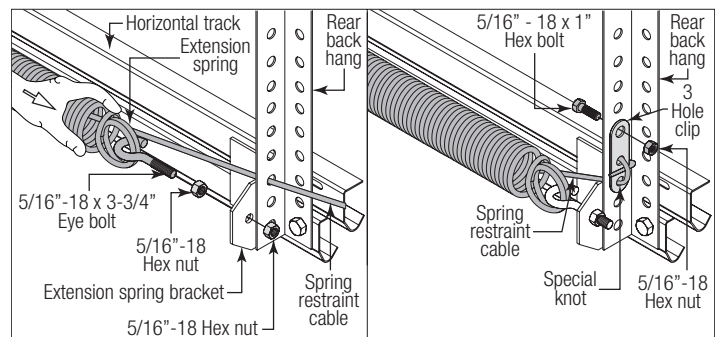
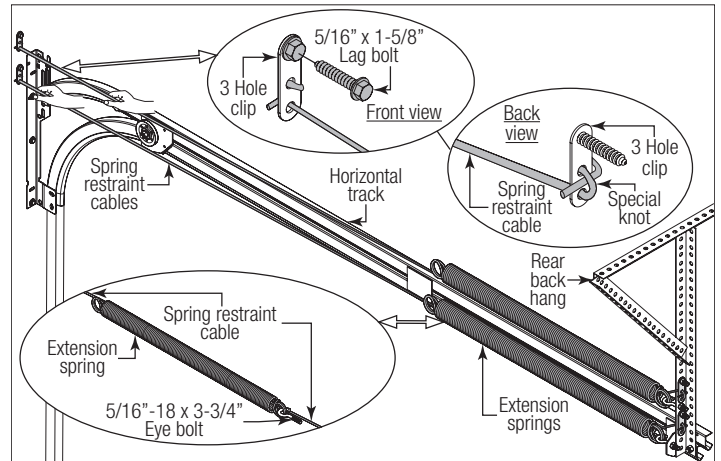
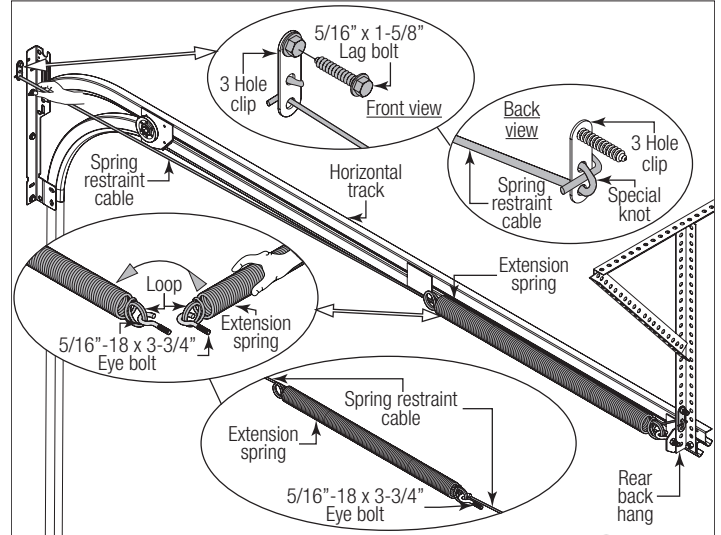


## **⚠ WARNING** FAILURE TO INSTALL SPRING RESTRAINT CABLES CAN RESULT IN SEVERE OR FATAL INJURY IN CASE OF SPRING BREAKAGE.

Position the 5/16" - 18 x 3-3/4" eye bolt and (2) 5/16" - 18 hex nuts into the extension spring bracket. Feed the spring restraint cable through the extension spring and the rear back hang. Tie the special knot around the "room side" of the 3 hole clip, as shown. Secure the 3 hole clip to the rear back hang using a 5/16" - 18 x 1" hex bolt and a 5/16" - 18 hex nut. With the spring restraint cable going through the extension spring, pull the spring restraint cable taut and tie the special knot around the "jamb side" of the 3 hole clip. Attach the "jamb side" 3 hole clip to the jamb near the flag angle using (1) 5/16" x 1-5/8" lag bolt. Repeat the same process for the other side.

**NOTE:** Some larger doors feature 2 pairs of extension springs. A spring restraint cable must be installed through each spring.

**IMPORTANT:** SPRING RESTRAINT CABLES MUST BE TAUT AND EQUALIZED.



**NOTE:** As an option, eyebolt may be fastened to rear back hangs and extension spring bracket left unused. The extension spring bracket is useful in applications where rear headroom is small, resulting in short rear back hangs.

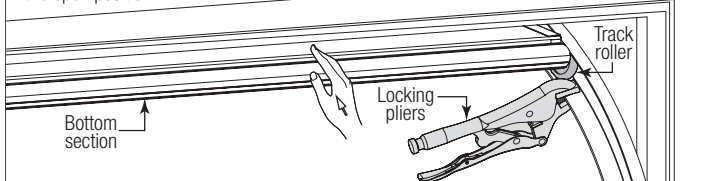
## **18** Attaching Extension Springs

Remove the locking pliers from the vertical tracks.

### **⚠ WARNING**

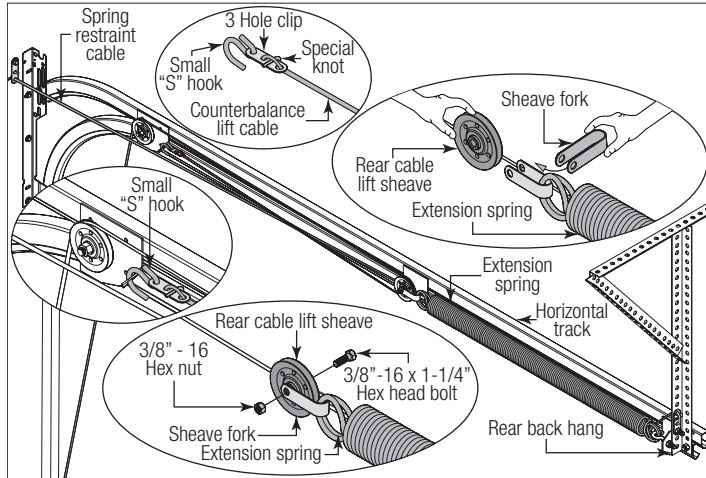
**WITH ASSISTANCE, RAISE THE DOOR SLOWLY INTO THE OPEN POSITION MAKING SURE THE DOOR TRAVELS SMOOTHLY THROUGH THE TRACKS. CLAMP LOCKING PLIERS TO THE BACK LEG OF BOTH HORIZONTAL TRACKS, BELOW THE BOTTOM TRACK ROLLERS TO KEEP THE DOOR FROM LOWERING.**

**NOTE:** This illustration shows the outside of the door in the open position.

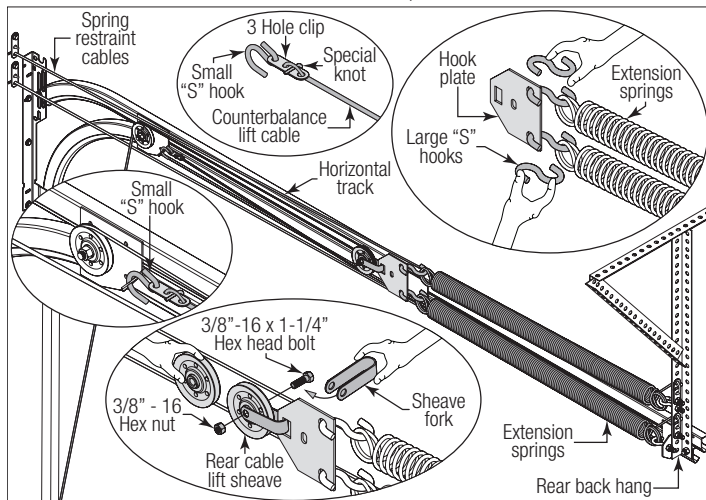


## **19** Attaching Spring Sheaves

**IF YOU HAVE ONE PAIR OF EXTENSION SPRINGS:** Hook the sheave fork through the front loop of the extension spring and attach the sheave fork to the rear cable lift sheave using (1) 3/8" - 16 x 1-1/4" hex head bolt and (1) 3/8" - 16 hex nut. Thread the counterbalance lift cable over the front cable lift sheave and around the rear cable lift sheave. On one end of the 3 hole clip, tie the special knot. On the opposite side of the 3 hole clip hook a small "S" hook into it. Secure the opposite end of the small "S" hook into the horizontal track, as shown. Repeat for the other side.



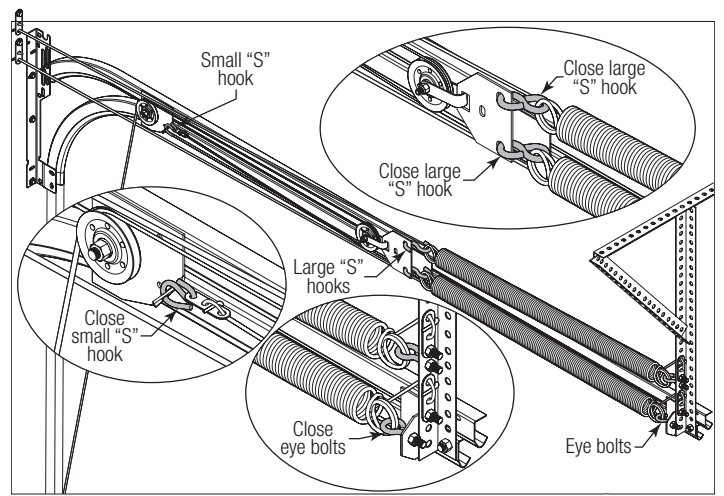
**IF YOU HAVE TWO PAIR OF EXTENSION SPRINGS:** Connect the two springs to the two large "S" hooks into the hook plate. Hook the sheave fork through the hook plate. Attach the sheave fork to the rear cable lift sheave using (1) 3/8" - 16 x 1-1/4" hex head bolt and (1) 3/8" - 16 hex nut. Thread the counterbalance lift cable over the front cable lift sheave and around the rear cable lift sheave. On one end of the 3 hole clip, tie the special knot. On the opposite side of the 3 hole clip hook a small "S" hook into it. Secure the opposite end of the small "S" hook into the horizontal track, as shown. Repeat for the other side.



**IMPORTANT:** CLOSE "S" HOOKS AND EYE BOLTS WITH LOCKING PLIERS, TO PREVENT SPRINGS FROM COMING LOOSE.

## WARNING

**FAILURE TO CLOSE "S" HOOKS AND EYE BOLTS CAN RESULT IN SEVERE OR FATAL INJURY IF SPRINGS COME LOOSE.**



## 20

### Counterbalance Lift Cable Adjustments

Adjust counterbalance lift cables to create about 1" to 2" (25 mm to 50 mm) of pre-stretch on the extension spring, with the door in the fully opened position. Measure extension spring length (door open) and verify with the chart below. Spring length must be the same for both left hand and right hand extension springs to allow even door balance. Carefully remove the locking pliers from the horizontal track and lower the door into the closed position. Once the door is closed, measure the extension spring length for both sides. Using the chart, verify the spring length extended is correct for your door height.

Door Height	Spring Length (Door Open) (Does Not Include Pre-stretch)	Spring Length Extended (Door Closed) (Does Not Include Pre-stretch)
6' 0"	25" (635 mm)	61" (1549 mm)
6' 3"	25" (635 mm)	62-1/2" (1588 mm)
6' 6"	25" (635 mm)	64" (1626 mm)
7' 0"	25" (635 mm)	67" (1702 mm)
7' 6"	27" (686 mm)	72" (1829 mm)
7' 9"	27" (686 mm)	73-1/2" (1867 mm)
8' 0"	27" (686 mm)	75" (1905 mm)

## 21

### Balancing Door

If door raises more than 2 ft. under spring tension alone, reduce spring tension. Adjust extension spring length by loosening the special knot on the 3 hole clip and lengthen the counterbalance lift cable between the 3 hole clip and the extension spring about 1/2". If door is hard to raise or drifts down on its own, add spring tension. Adjust extension spring length by loosening the special knot on the 3 hole clip and shortening the counterbalance lift cable between the 3 hole clip and the extension spring about 1/2". A poorly balanced door can cause garage door operator problems.

**IMPORTANT:** WHENEVER ADJUSTING EXTENSION SPRING LENGTH FOR DOOR BALANCE, ALWAYS OPEN THE DOOR TO THE FULLY OPEN POSITION AND RETURN THE LOCKING PLIERS, AS SHOWN IN F3 TO THE HORIZONTAL TRACKS BELOW THE BOTTOM TRACK ROLLERS.

If the door still does not operate easily, raise the door into the open position, return the locking pliers, and recheck the following items:

- 1.) Is the door level?
- 2.) Are the flag angles level and plumb?
- 3.) Does the distance between the flag angles equal door width plus 3-3/8" to 3-1/2"?
- 4.) Do the counterbalance lift cables have equal tension? Adjust by re-tying the special knot, if necessary.
- 5.) Make sure door is not rubbing on jambs.

**IMPORTANT:** IF DOOR STILL DOES NOT BALANCE PROPERLY, THEN CONTACT A TRAINED DOOR SYSTEM TECHNICIAN.

## 22

### Attaching Weather Seal

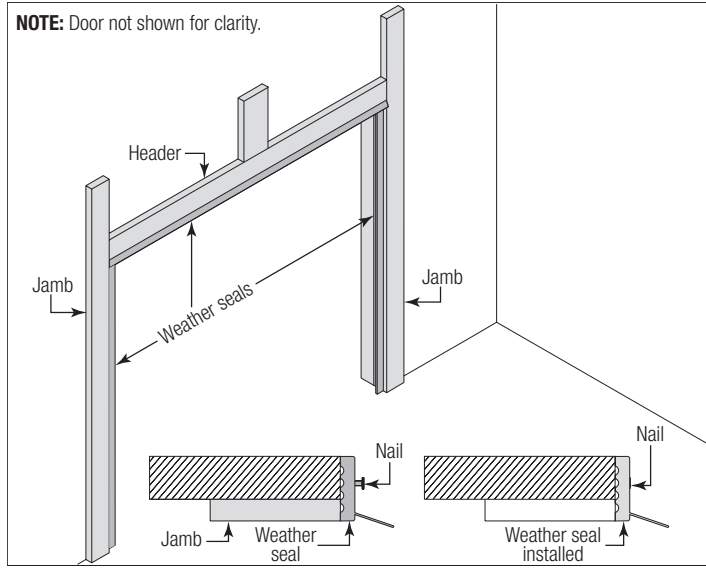
Permanently attach the weatherstrips on both door jambs and header. The weatherstrips were temporarily attached in Preparing the Opening, in the pre-installation section of this



manual.

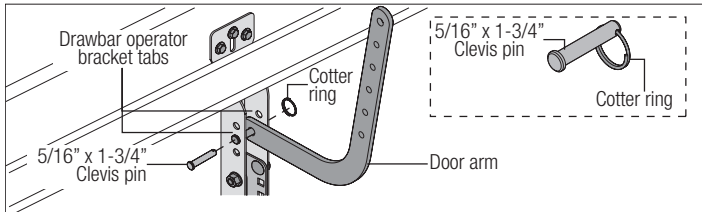
**NOTE:** When permanently attaching the weatherstrips to the jambs, avoid pushing the weatherstrips too tightly against the face of door.

**NOTE:** Door not shown for clarity.



## Trolley Arm Hookup

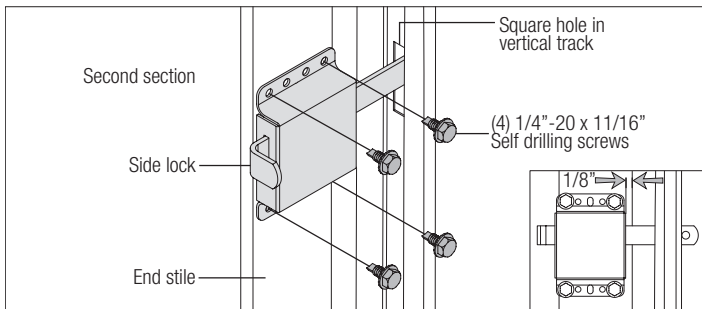
**NOTE:** If Wayne Dalton operator / trolley bracket was installed, follow these directions. Align hole in the door arm with holes in operator bracket tabs, as shown. Attach with 5/16" x 1-3/4" cotter pin and cotter ring.



## Inside Lock

Install the inside lock on the second section of the door. Secure the lock to the section with (4) 1/4" - 20 x 11/16" self drilling screws. Square the lock assembly with the door section, and align with the square hole in the vertical track. The inside lock should be spaced approximately 1/8" away from the section edge.

**IMPORTANT:** INSIDE LOCK(S) MUST BE REMOVED OR MADE INOPERATIVE IN THE UNLOCKED POSITION IF AN OPERATOR IS INSTALLED ON THIS DOOR.

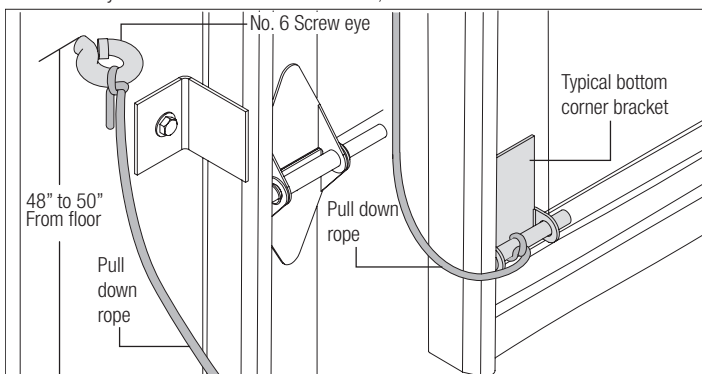


## Pull Down Rope

### ⚠ WARNING

**DO NOT INSTALL PULL DOWN ROPE ON DOORS WITH OPERATORS. CHILDREN MAY BECOME ENTANGLED IN THE ROPE CAUSING SEVERE OR FATAL INJURY.**

Measure and mark the jamb approximately 48" to 50" (1220 to 1270 mm) from floor on the right or left side of jamb. Drill 1/8" pilot hole for no. 6 screw eye. Tie the pull down rope to the no. 6 screw eye and to the bottom corner bracket, as shown.



## Cleaning Your Garage Door

**IMPORTANT:** DO NOT USE A PRESSURE WASHER ON YOUR GARAGE DOOR!

While factory-applied finishes on garage doors are durable, it is desirable to clean them on a routine basis. Some discoloration of the finish may occur when a door has been exposed to dirt-laden atmosphere for a period of time. Slight chalking may also occur as a result of direct exposure to sunlight. Cleaning the door will generally restore the appearance of the finish. To maintain an aesthetically pleasing finish of the garage door, a periodic washing of the garage door is recommended.

**THE FOLLOWING CLEANING SOLUTION IS RECOMMENDED:** A mild detergent solution consisting of one cup detergent (with less than 0.5% phosphate) dissolved into five gallons of warm water will aid in the removal of most dirt.

**NOTE:** The use of detergents containing greater than 0.5% phosphate is not recommended for use in general cleaning of garage doors.

**NOTE:** Be sure to clean behind weatherstrips on both sides and top of door.

### CAUTION

NEVER MIX CLEANSERS OR DETERGENTS WITH BLEACH.

**NOTE:** Do not use any window cleaning fluids, scouring compounds, gritty cloths or solvent-based cleaners of any kind.

To clean polycarbonate windows, see [www.Wayne-Dalton.com](http://www.Wayne-Dalton.com).

## Painting Your Garage Door

Refer to Instruction Insert "**Field Painting and Finishing Fiberglass or Steel Door Sections**".

## Maintaining The Finish On Your Garage Door

If the factory finish is beginning to fade, the door may require a field applied top clear coat. Depending on environment and usage, this may be necessary after 1 to 3 years of use. Refer to Instruction Insert "**Field Painting and Finishing Fiberglass Or Steel Door Sections**".

## Operation And Maintenance

**OPERATING YOUR GARAGE DOOR:** Before you begin, read all warning labels affixed to the door and the installation instructions and owner's manual. When correctly installed, your Wayne Dalton door will operate smoothly. Always operate your door with controlled movements. Do not slam your door or throw your door into the open position, this may cause damage to the door or its components. If your door has an electric opener, refer to the owner's manual to disconnect the opener before performing manual door operation below.

**MANUAL DOOR OPERATION:** For additional information on manual garage door operations go to [www.dasma.com](http://www.dasma.com) and reference TDS 165.

### WARNING

DO NOT PLACE FINGERS OR HANDS INTO SECTION JOINTS WHEN OPENING AND/OR CLOSING A DOOR. ALWAYS USE LIFT HANDLES / SUITABLE GRIPPING POINTS WHEN OPERATING THE DOOR MANUALLY.

**OPENING A DOOR:** Make sure the lock(s) are in the unlocked position. Lift the door by using the lift handles / suitable gripping points only. Door should open with little resistance.

**CLOSING A DOOR:** From inside the garage, pull door downward using lift handles / gripping point only. If you are unable to reach the lift handles/ suitable gripping points only, use pull down rope affixed to the side of door. Door should close completely with little resistance.

**USING AN ELECTRIC OPERATOR:**

**IMPORTANT:** PULL DOWN ROPES MUST BE REMOVED AND LOCKS MUST BE REMOVED OR MADE INOPERATIVE IN THE UNLOCKED POSITION.

When connecting a drawbar (trolley type) garage door operator to this door, a drawbar operator bracket must be securely attached to the top section of the door, along with any struts provided with the door. Always use the drawbar operator bracket supplied with the door. To avoid possible damage to your door, Wayne Dalton recommends reinforcing the top section with a strut (may or may not be supplied). The installation of the drawbar operator must be according to manufacturer's instructions and force settings must be adjusted properly. Refer to the owner's manual supplied with your drawbar operator for complete details on installation, operation, maintenance and testing of the operator.

**MAINTAINING YOUR GARAGE DOOR:** Before you begin, read all warning labels affixed to the door and the installation instructions and owner's manual. Perform routine maintenance steps once a month, and have the door professionally inspected once a year. Review your

Installation Instructions and Owner's Manual for the garage door. These instructions are available at no charge from Wayne Dalton, a division of Overhead Door Corporation, P.O. Box 67, Mt. Hope, OH., 44660, or at [www.Wayne-Dalton.com](http://www.Wayne-Dalton.com). For additional information on garage door/operator maintenance go to [www.dasma.com](http://www.dasma.com) and reference TDS 151, 167 and 179.

**Monthly Inspections:**

**1. Visual Inspection:** Closely inspect jambs, header and mounting surface. Any material found not to be structurally sound must be replaced. It may be necessary to uninstall part or all of the door assembly in order to replace defective material. Refer to the supplemental instructions "Removing an Existing Door / Preparing the Opening" at [www.Wayne-Dalton.com](http://www.Wayne-Dalton.com). Inspect the spring(s), counterbalance lift cables, track rollers, pulleys, rear back hangs and other door hardware for signs of worn or broken parts. Tighten any loose screws and/or bolts, except on bottom corner brackets or on the counterbalance assembly. Check exterior surface of the door sections for any minor cracks. Verify door has not shifted right or left in the opening. If you suspect problems, contact a trained door system technician.

### WARNING

**GARAGE DOOR SPRINGS, COUNTERBALANCE LIFT CABLES, BRACKETS, AND OTHER HARDWARE ATTACHED TO THE SPRINGS ARE UNDER EXTREME TENSION, AND IF HANDLED IMPROPERLY, CAN CAUSE SEVERE OR FATAL INJURY. ONLY A TRAINED DOOR SYSTEMS TECHNICIAN SHOULD ADJUST THEM, BY CAREFULLY FOLLOWING THE MANUFACTURER'S INSTRUCTIONS.**

### WARNING

**NEVER REMOVE, ADJUST, OR LOOSEN THE BOLTS, SCREWS AND/OR LAG SCREWS ON THE COUNTERBALANCE (END BEARING BRACKETS, DRUMS OR SPRING SYSTEM) OR BOTTOM CORNER BRACKETS OF THE DOOR. THESE BRACKETS ARE CONNECTED TO THE SPRING(S) AND ARE UNDER EXTREME TENSION. TO AVOID POSSIBLE SEVERE OR FATAL INJURY, HAVE ANY SUCH WORK PERFORMED BY A TRAINED DOOR SYSTEMS TECHNICIAN USING PROPER TOOLS AND INSTRUCTIONS.**

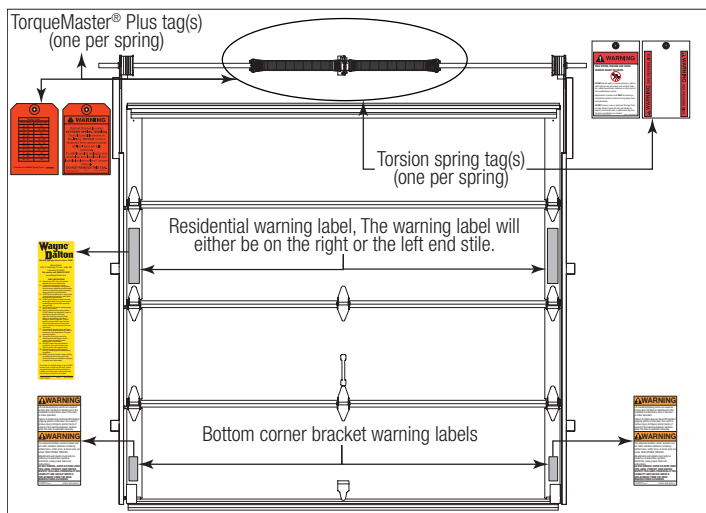
**TORQUEMASTER® PLUS SPRINGS:** Pawl knob(s) (located on the TorqueMaster® end brackets above the door) should be engaged to prevent the door from rapidly descending in case of spring failure or forceful manual operation.

**EXTENSION SPRINGS:** A restraining cable or other device should be installed on the extension spring (located above the horizontal tracks) to help contain the spring if it breaks.

**2. Door Balance:** Periodically test the balance of your door. If you have a garage door drawbar operator, use the release mechanism so you can operate the door by hand when doing this test. Start with the door in the fully closed position. Using handles or suitable gripping points, lift the door to check its balance. Adjust TorqueMaster® or Extension spring(s), if door lifts by itself (hard to pull down) or if door is difficult to lift (easy to pull down). DO NOT attempt to repair or adjust Torsion Springs yourself. To adjust TorqueMaster® or Extension spring(s), refer to your installation instructions and owner's manual. If in question about any of the procedures, do not perform the work. Instead, have it adjusted by a trained door systems technician.

**3. Lubrication:** The door should open and close smoothly. Ensure the door track rollers are rotating freely when opening and closing the door. If track rollers do not rotate freely, clean the door tracks, removing dirt and any foreign substances. Clean and lubricate (use a non-silicon based lubricant) graduated end hinges, center hinges, steel track rollers, bearings and torsion springs (torsion spring coil surfaces). DO NOT lubricate plastic idler bearings, nylon track rollers, door track. DO NOT oil a cylinder lock, if actuation is difficult use a graphite dust to lubricate.

**CHECK FOR PRESENCE OF SAFETY LABELS:**



Limited Warranty

Models 8300 / 8500 and Model 8300 Sonoma Wood Grain

Wayne Dalton, a division of Overhead Door Corporation ("Seller") warrants to the original purchaser of the Models 8300 / 8500 and the Model 8300 Sonoma Wood Grain ("Product"), subject to all of the terms and conditions hereof, that the Product and all components thereof will be free from defects in materials and workmanship for the following period(s) of time, measured from the date of installation:

Limited Lifetime Warranty\* on the Product sections against:

- The Product becoming inoperable due to rust-through of the steel skin from the core of the Product section, due to cracking, splitting, or other deterioration of the steel skin, or due to structural failure caused by separation or degradation of the foam insulation.
• Peeling of the original paint as a result of a defect in the original paint or in the application of the original paint coating on standard paint colors (excludes Walnut or Golden Oak wood grain finish).
• The Product hardware and tracks (except springs).

TWO (2) YEARS against peeling or fading of finish on Product sections with Walnut or Golden Oak wood grain finish.

ONE (1) YEAR on those component parts of the Product not covered by the preceding provisions of this Warranty.

Seller's obligation under this warranty is specifically limited to repairing or replacing, at its option, any part which is determined by Seller to be defective during the applicable warranty period. Any labor charges are excluded and will be the responsibility of the purchaser.

This warranty gives you specific legal rights, and you may also have other rights which vary from state to state. This warranty is made to the original purchaser of the Product only, and is not transferable or assignable. This warranty applies only to Product installed in a residential or other non-commercial application. It does not cover any Product installed in commercial or industrial building applications. This warranty does not apply to any unauthorized alteration or repair of the Product, or to any Product or component which has been damaged or deteriorated due to misuse, neglect, accident, failure to provide necessary maintenance, normal wear and tear, acts of God, or any other cause beyond the reasonable control of Seller or as a result of having been exposed to toxic or abrasive environments, including blowing sand, salt water, salt spray and toxic chemicals and fumes.

ALL EXPRESS AND IMPLIED WARRANTIES FOR THE PRODUCT, INCLUDING BUT NOT LIMITED TO ANY IMPLIED WARRANTIES OF MERCHANTABILITY AND FITNESS FOR A PARTICULAR PURPOSE, ARE LIMITED IN TIME TO THE APPLICABLE WARRANTY PERIOD REFLECTED ABOVE. NO WARRANTIES, WHETHER EXPRESS OR IMPLIED, WILL APPLY AFTER THE LIMITED WARRANTY PERIOD HAS EXPIRED. Some states do not allow limitations on how long an implied warranty lasts, so the above limitation may not apply to you.

IN NO EVENT SHALL SELLER BE RESPONSIBLE FOR, OR LIABLE TO ANYONE FOR, SPECIAL, INDIRECT, COLLATERAL, PUNITIVE, INCIDENTAL OR CONSEQUENTIAL DAMAGES, even if Seller has been advised of the possibility of such damages. Such excluded damages include, but are not limited to, loss of use, cost of any substitute product, or other similar indirect financial loss. Some states do not allow the exclusion or limitation of incidental or consequential damages, so the above limitation or exclusion may not apply to you.

Claims under this warranty must be made promptly after discovery, within the applicable warranty period, and in writing to the authorized distributor or installer whose name and address appear below. The purchaser must allow Seller a reasonable opportunity to inspect any Product claimed to be defective prior to removal or any alteration of its condition. Proof of the purchase and/or installation date, and identification as the original purchaser, may be required. There are no established informal dispute resolution procedures of the type described in the Magnuson-Moss Warranty Act.

- SELLER: \_\_\_\_\_
• SELLER'S ADDRESS: \_\_\_\_\_
\_\_\_\_\_

---

Thank you for your purchase.

---

**PLEASE DO NOT RETURN THIS PRODUCT TO THE STORE**

If you need assistance, please call 1-866-569-3799 (press Option 1) and follow the prompts to contact a customer service representative. They will be happy to handle any questions that you may have.

---

After installation is complete, leave this Installation Instructions And Owner's Manual with the homeowner, or fasten it near garage door for easy reference.