

C-Series Top Head Seal Installation Instruction Insert

Use this insert in conjunction with the installation manual provided with the door. The Top Head Seal has been designed for use on C-Series doors.

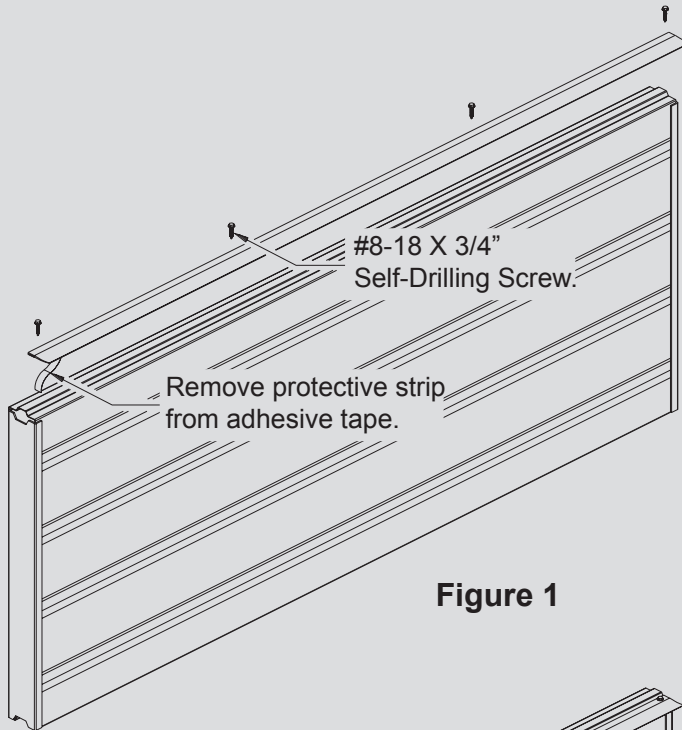


Figure 1

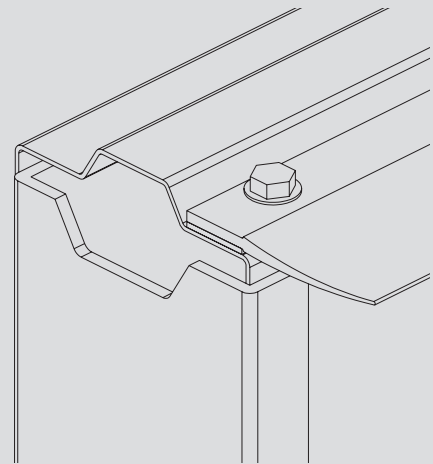


Figure 3

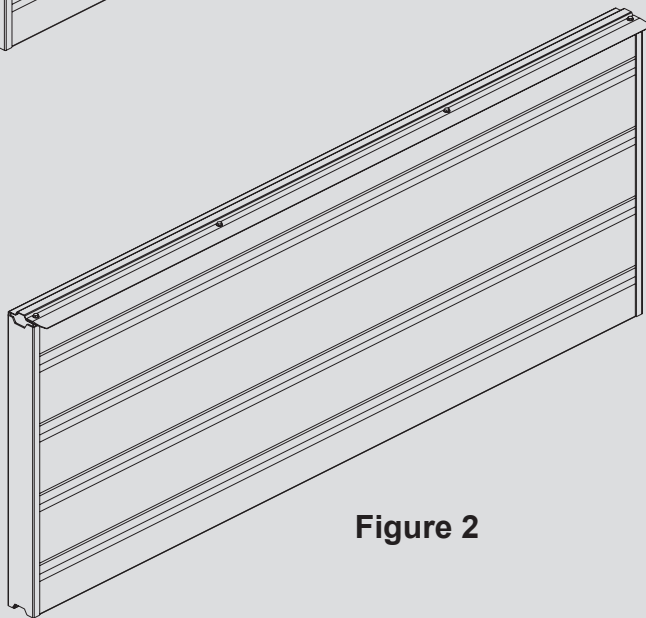


Figure 2

► **STEP 1** _____

Cut the Top Head Seal to the section width.
(See **Figure 1 & 2**).

► **STEP 2** _____

Remove the protective strip from the adhesive tape on the Top Head Seal. (See **Figure 1**).

► **STEP 3** _____

Install the Top Head Seal onto the top outer edge of the section. Secure to the section with #8-18 X 3/4" Self-Drilling Screws, up to 18" apart. (See **Figure 1**). Install screws into flat portion of Top Head Seal. (See **Figure 3**).