

Supplemental Installation Instructions

This installation instruction is to be used as a supplement to the main Installation Instruction And Owner's Manual provided with the door. The instructions included in this document are ONLY those which deviate from the standard installation. All WARNINGS and CAUTIONS listed in the manual are applicable to this low-headroom instruction as well.

Attaching Additional Strutting

Refer to the charts on pages 2 and 3, to determine what section(s) requires additional J-strut(s) or 3" U-bars(s).

NOTE: DO NOT remove the factory attached J-STRUT(S) and their fasteners.

NOTE: Please omit the 3" non-symmetrical U-bars (reference **FIG. 0.0**) and re-use as needed on other doors/applications or recycle through appropriate channels.

NOTE: If your door is a Model 9100, refer to the Charts located on page 2.

NOTE: If your door is a Model 9600, refer to the Charts located on page 3.

NOTE: Terminology for the Charts is located at the bottom of page 2.

INSTALLING THE J-STRUTS:

First, place the j-strut over the appropriate rib and center the j-strut side to side on the section rib of the section, as shown in, **FIG. 1.0**.

1a. (For 9100 Door Models Only):

Fasten each end of the j-strut to the endcap with (1) #8 tek screw. Next, fasten the j-strut to the rib using (2) 1/4" - 20 x 5/8" self tapping screws at each location, as shown in, **FIG. 1a**.

1b. (For 9600 Door Models Only):

Fasten the j-strut to the rib using (2) 1/4" - 20 x 5/8" self tapping screws at each location, as shown in, **FIG. 1b**.

INSTALLING THE 3" U-BARS:

NOTE: The 3" U-bar that is installed on the top rib of the top section is door width minus 1" (Long). All other 3" U-bars are door width minus 8" (short).

NOTE: If a 3" U-bar is being installed on top of a j-strut, you may need to spread the legs of the 3" U-bar, so it will go over the existing j-strut.

First, place the 3" u-bar over the appropriate rib and center the u-bar side to side on the section rib.

2a. (Long):

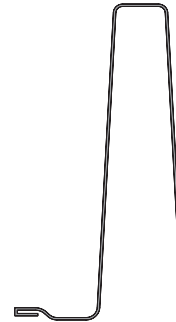
Second, fasten each end of the 3" u-bar to the endcap with (2) 1/4" - 20 x 11/16" self drilling screws.

2b. (Short):

Second, fasten each end of the u-bar to the rib with (2) 1/4" - 20 x 5/8" self tapping screws.

Third, fasten the u-bar to the rib using (2) 1/4" - 20 x 5/8" self tapping screws, in line at each center hinge(s) location. Next, fasten the u-bar to the rib using (2) 1/4" - 20 x 5/8" self tapping screws, in between each center and end hinge locations, as shown in, **FIG. 2.0**.

NOTE: After completing this supplement insert, continue with the Main Installation Instruction And Owner's Manual provided with the door.



Side profile of a typical 3" non-symmetrical u-bar shown.

FIG. 0.0

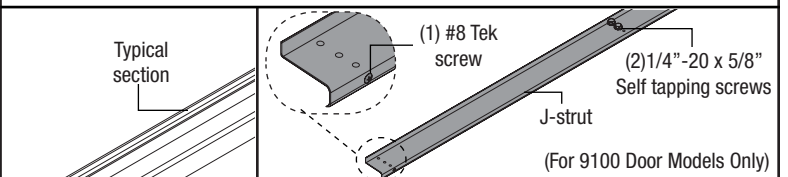


FIG. 1a

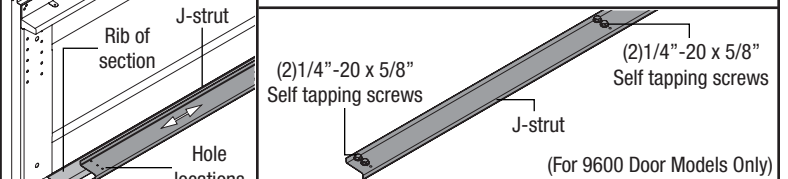


FIG. 1b

FIG. 1.0

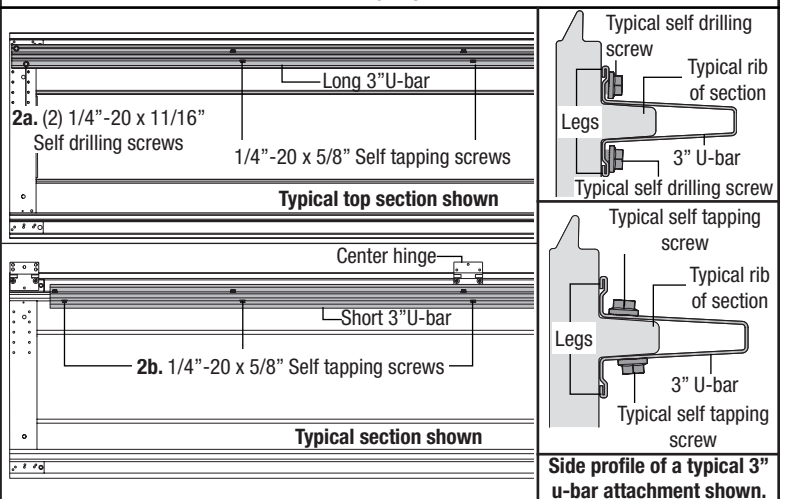


FIG. 2.0

(1) Model 9100 Chart

Door Height Less than Or Equal to 8'0"

# Of Sections	Section Type	Top / Bottom Rib	Door Width					
			Solid Doors	Glazed Top		Glazed Intermediate #4		Glazed Intermediate #3
			> 9'0" To <= 16'0"	> 9'0" To <= 12'0"	> 12'0" To <= 16'0"	> 9'0" To <= 16'0"		> 9'0" To <= 12'0"
5	Top	Top	3" U-bar					
5		Bottom	N/A	J-Strut	N/A			
4		Top	3" U-bar				3" U-bar	
4		Bottom	N/A	J-Strut	N/A			N/A
5	Intermediate #4	Top	3" U-bar					
5		Bottom	N/A		J-Strut	N/A		
5	Intermediate #3	Top	N/A	3" U-bar				
5		Bottom	N/A	J-Strut	N/A		N/A	
4		Top	N/A	3" U-bar				3" U-bar
4		Bottom	N/A				J-Strut	
5	Lock	Top	3" U-bar					
5		Bottom	N/A					
4		Top	3" U-bar				3" U-bar	
4		Bottom	N/A				N/A	
5	Bottom	Top	N/A					
5		Bottom	3" U-bar	N/A				
4		Top	N/A				N/A	
4		Bottom	3" U-bar	N/A				N/A

Door Height Greater than 8'0"

# Of Sections	Section Type	Top / Bottom Rib	Door Width						
			Solid Doors	Glazed Top		Glazed Intermediate #4		Glazed Intermediate #3	
			> 9'0" To <= 12'0"	> 9'0" To <= 12'0"	> 12'0" To <= 16'0"	> 9'0" To <= 12'0"	> 12'0" To <= 16'0"	> 9'0" To <= 12'0"	> 12'0" To <= 16'0"
5	Top	Top	3" U-bar						
5		Bottom	N/A	J-Strut	N/A				
5	Intermediate #4	Top	3" U-bar						
5		Bottom	N/A		J-Strut	N/A			
5	Intermediate #3	Top	N/A	3" U-bar					
5		Bottom	N/A			J-Strut	N/A		
5	Lock	Top	3" U-bar						
5		Bottom	N/A						
5	Bottom	Top	N/A						
5		Bottom	3" U-bar	N/A					

TERMINOLOGY

NOTE: Required to be installed on appropriate rib.	J-Strut
	3" U-bar
NOTE: Not applicable to your application or your door size.	N/A

(2) Model 9600 Chart

Door Height Less than Or Equal to 8'0"

# Of Sections	Section Type	Top / Bottom Rib	Door Width				
			Solid Doors		Glazed Top	Glazed Intermediate #4	Glazed Intermediate #3
			> 9'0" To <= 16'0"	> 9'0" To <= 16'0"	> 9'0" To <= 16'0"	> 9'0" To <= 16'0"	
5	Top	Top	3" U-bar				
5		Bottom	N/A	J-Strut	N/A		
4	Top	Top	3" U-bar			3" U-bar	
4		Bottom	N/A	J-Strut		N/A	
5	Intermediate #4	Top	N/A		3" U-bar		
5		Bottom	N/A		J-Strut	N/A	
5	Intermediate #3	Top	N/A		3" U-bar		
5		Bottom	N/A		J-Strut		
4		Top	N/A		3" U-bar		
4		Bottom	N/A		J-Strut		
5	Lock	Top	N/A		3" U-bar		
5		Bottom	N/A		J-Strut		
4		Top	N/A		3" U-bar		
4		Bottom	N/A		J-Strut		
5	Bottom	Top	N/A		J-Strut		
5		Bottom	N/A		3" U-bar		
4		Top	N/A		J-Strut		
4		Bottom	N/A		3" U-bar		

Door Height Greater than 8'0"

# Of Sections	Section Type	Top / Bottom Rib	Door Width									
			Solid Doors		Glazed Top		Glazed Intermediate #5		Glazed Intermediate #4		Glazed Intermediate #3	
			> 9'0" To <= 16'0"	> 9'0" To <= 12'0"	> 12'0" To <= 16'0"	> 9'0" To <= 12'0"	> 12'0" To <= 16'0"	> 9'0" To <= 12'0"	> 12'0" To <= 16'0"	> 9'0" To <= 12'0"	> 12'0" To <= 16'0"	
6	Top	Top	3" U-bar									
6		Bottom	N/A	J-Strut	N/A							
5	Top	Top	3" U-bar				3" U-bar					
5		Bottom	N/A	J-Strut	N/A		N/A					
6	Intermediate #5	Top	N/A		3" U-bar							
6		Bottom	N/A			J-Strut	N/A					
6	Intermediate #4	Top	N/A		3" U-bar			J-Strut				
6		Bottom	N/A		J-Strut			N/A				
5		Top	N/A		3" U-bar					3" U-bar		
5		Bottom	N/A		J-Strut					J-Strut		
6	Intermediate #3	Top	N/A		3" U-bar			J-Strut				
6		Bottom	N/A		J-Strut			N/A				
5		Top	N/A		J-Strut					N/A		
5		Bottom	N/A		J-Strut					J-Strut		
6	Lock	Top	N/A		3" U-bar			J-Strut				
6		Bottom	N/A		J-Strut			N/A				
5		Top	N/A		3" U-bar					3" U-bar		
5		Bottom	N/A		J-Strut					J-Strut		
6	Bottom	Top	N/A		J-Strut			N/A				
6		Bottom	N/A		3" U-bar			N/A				
5		Top	N/A		J-Strut					N/A		
5		Bottom	N/A		J-Strut					N/A		