

VERTICAL LIFT TRACKS

Supplemental insert

©Copyright 2018

Part No. 288955

REV9 11/13/2018

This supplemental installation instruction is to be used as a supplement to the main Installation Instruction and Owner's Manual provided with the door. The instructions included in this document are ONLY those which deviate from the standard installation. All WARNINGS and CAUTIONS listed in the main manual are applicable to this supplemental instruction as well.

INSTALLATION

1

Refer to the General and Product Specific manuals for installing vertical track, sections, and section hardware in conjunction with this insert.

NOTE: Bumper springs are not required on one piece tracks or extended vertical lift tracks.

NOTE: Vertical lift track is supplied standard with 12" extended upper verticals (Headroom = $DH+20"$) and leaf bumper springs are not required, but available as an option. If the non-extended (Headroom = $DH+8"$) option is chosen, bumper springs are supplied and must be installed.

Attach bumper springs (if supplied) at the end of upper vertical tracks to prevent over-travel of the door. Attach bumper springs using supplied fasteners (See Figure 3.1) **DO NOT WELD.**

WARNING

ATTACHING BUMPER SPRINGS BY WELDING CAN CAUSE SPRINGS TO BREAK WHEN IMPACTED BY DOOR, RESULTING IN SEVERE OR FATAL INJURY FROM FALLING PIECES.

The upper vertical track is angled into the room at a greater angle than the lower vertical track. The track will extend into the room approximately 18" for 2" track. Some 3" track will extend 24" into the room. This will permit the required spacing for the torsion springs to be installed.

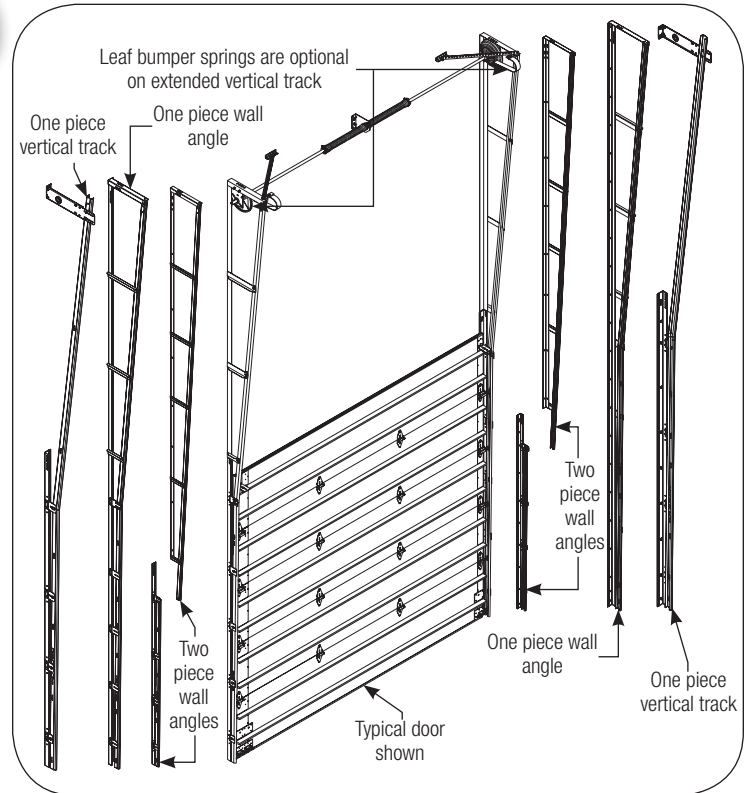


FIG. 1.1

2

Installing Upper Track

For One Piece Vertical Tracks: Attach the wall angle to the jamb using 5/16" x 1" self drilling screws for steel jambs and 5/16" x 1-5/8" lag screws for wood jambs at each 24" slotted hole location.

For One Piece Wall Angle: For the one piece wall angle, the lower vertical track is factory installed to the wall angle.

For Two Piece Wall Angles: Loosely fasten the upper vertical track to the track splice plate using (2) 1/4" - 20 x 9/16" track bolts and whiz nuts.

For One or Two Piece Wall Angles: Attach the upper vertical track to the jamb using 5/16" x 1" self drilling screws for steel jambs and 5/16" x 1-5/8" lag screws for wood jambs at each 24" slotted hole location. After upper vertical track is properly attached to the door jamb, tighten all 1/4" - 20 x 9/16" track bolts and whiz nuts.

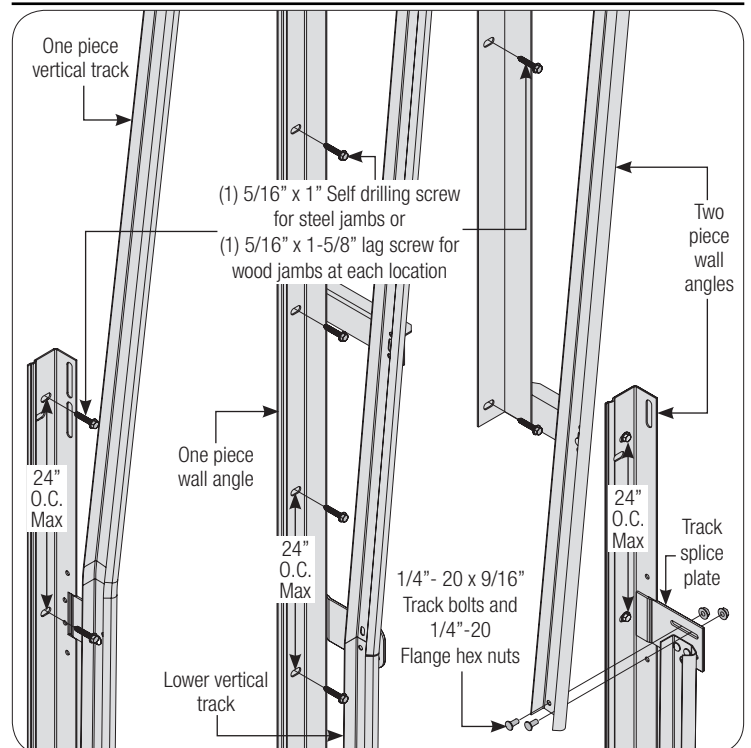


FIG. 2.1

3

Installing Lateral Brace (If Applicable)

NOTE: Lateral Braces are not required on One Piece Tracks.

For an added measure of stability, attach a lateral brace from top of the upper vertical track to the wall, to ensure proper track spacing will be maintained (See Figure 3.1). These braces are not provided with the door. For smaller size doors a lateral brace may be attached the entire distance from track to track instead of mounting lateral braces to the wall.

NOTE: Do not permanently fasten lateral braces until the door and track have been checked for proper clearances.

WARNING

IF TRACK MOTION IS OBSERVED DURING DOOR OPERATION, LATERAL BRACES MUST BE INSTALLED. FAILURE TO PROPERLY BRACE UPPER VERTICAL TRACKS CAN RESULT IN DOOR FREE FALLING, CAUSING SEVERE OR FATAL INJURY TO PERSON(S) IN VICINITY OF DOOR.

IT IS STRONGLY RECOMMENDED THAT SAFETY COMPONENT OPTIONS, SUCH AS CABLE FAILURE DEVICES BE USED WITH EVERY HIGH LIFT OR VERTICAL LIFT TRACK INSTALLATION. IF DOOR IS, OR LATER BECOMES MOTOR OPERATED, SENSING EDGES AND ELECTRICAL INTERLOCKS WITH DOCK LEVELERS AND OPERATIONAL DOOR LOCKS SHOULD BE INSTALLED. WITHOUT SUCH SAFETY EQUIPMENT, A DOOR THAT BECOMES INOPERATIVE IN THE OPEN POSITION COULD FREE-FALL, CAUSING SEVERE OR FATAL INJURY.

4

Install Torsion Springs

Ensure proper cable drums are being installed on the door. Vertical lift cable drums are tapered the entire length of the drum.

Lift torsion spring assembly into place and bolt bearing plates to upper track assembly using (2) 3/8" truss head bolts and nuts (See Figure 5.1).

If using an alternate end bearing bracket with a wall mounting flange, secure the end bearing bracket to the jamb using 5/16" x 1" self drilling screws for steel jambs or 5/16" x 1-5/8" lag screws for wood jambs.

Attach the counterbalance cable to the cable drum (See Figure 4.1).

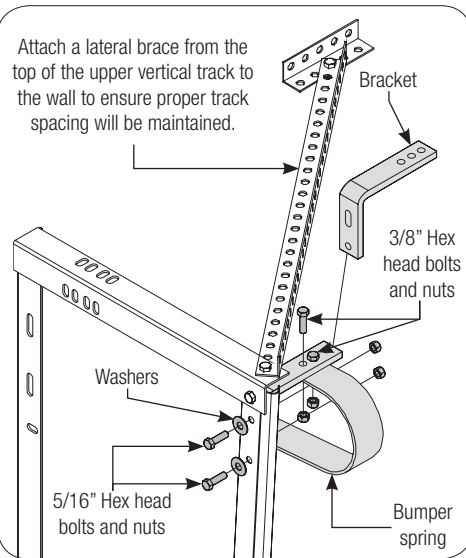


FIG. 3.1

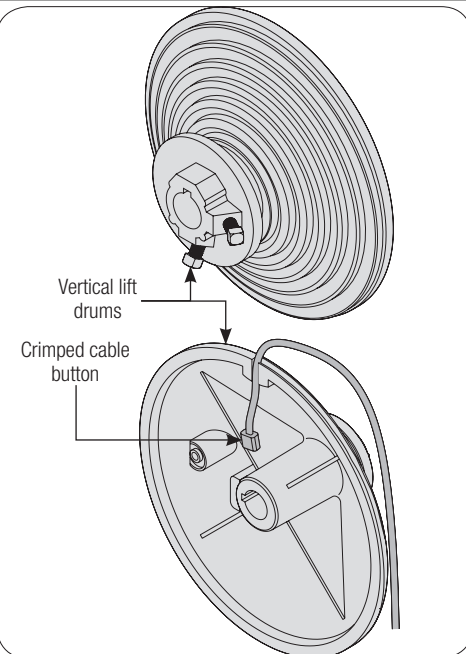
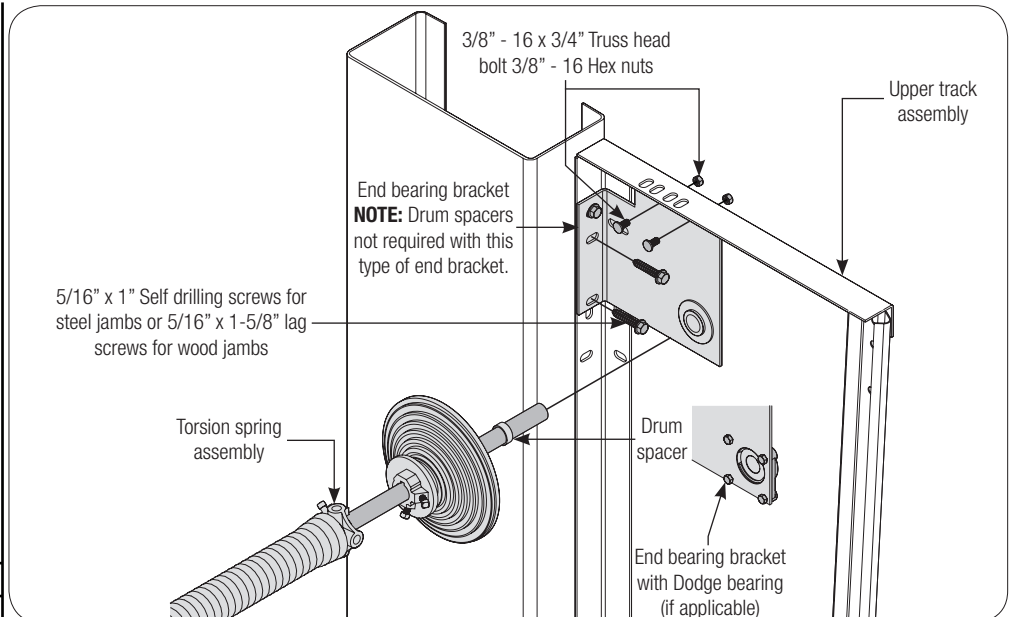


FIG. 4.1

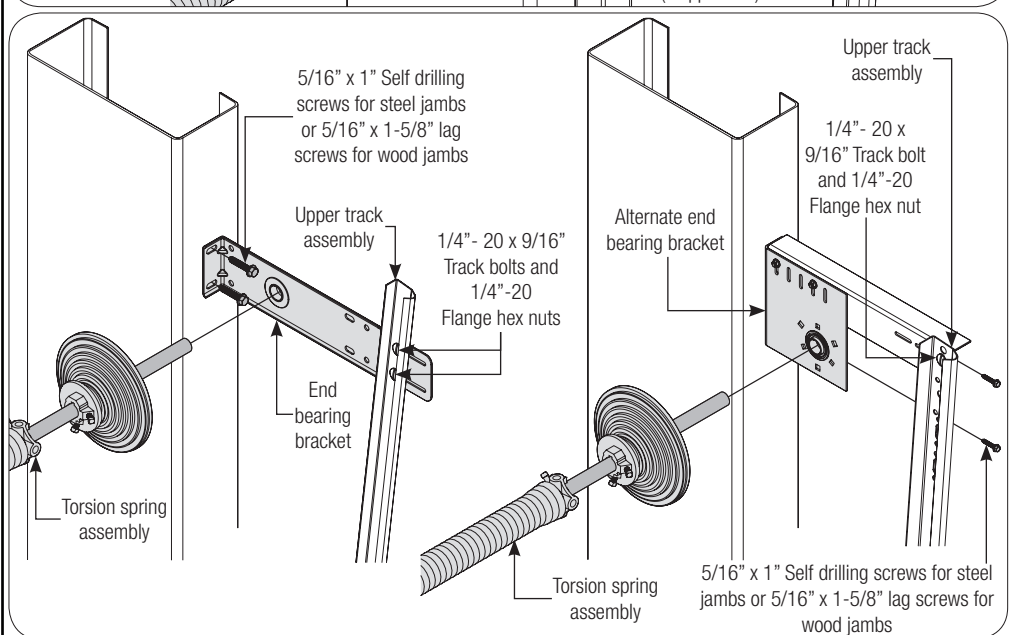


FIG. 5.1